

GENERAL PURPOSE 3-PHASE INDUCTION MOTORS



ENERGY EFFICIENT MOTORS



POWER OF EXPERIENCE INDIVIDUAL PROFESSIONAL APPROACH
PROFESSIONAL APPROACH ENERGY TOP QUALITY
DRIVING PROFESSIONAL APPROACH A TURNED INTO
INTO **YOUR** ENERGY EFFICIENT CONTINUOUS
ENERGY **BUSINESS** GROWTH SOLID PARTNER
CHALLENGING PROJECTS MOST DEMANDING APPLICATIONS
MORE ENERGY
SOLID PARTNER
CANTONI  EFFICIENT
MOTOR POWER OF
EXPERIENCE TOP QUALITY INDIVIDUAL APPROACH PROFESSIONAL

Product Catalogue

Product range

<p>LOW VOLTAGE GENERAL PURPOSE 3-PHASE INDUCTION MOTORS</p>	<p>Three-phase motors with squirrel-cage rotor series (2)Sg(m), Sh. High efficiency motors series 2SIE, 3SIE and 4SIE (efficiency classes IE2, IE3, IE4)</p>	<p>from 0,04kW up to 2200kW</p>	<p>for general purpose applications like pumps, fans, compressors; complying with the newest efficiency requirements</p>
<p>GENERAL PURPOSE 1-PHASE INDUCTION MOTORS</p>	<p>Single-phase motors with squirrel-cage rotor series SEh(R), SEMh(R). – motors with standard starting torque – motors with increased starting torque – motors with high starting torque.</p>	<p>from 0,04kW up to 2,2kW</p>	<p>for general purpose applications like pumps, fans, compressors, woodworking machines, devices for food processing, concrete mixers etc.</p>
<p>HIGH VOLTAGE INDUCTION MOTORS UP TO 11kV</p>	<p>Three-phase squirrel-cage high voltage and high efficiency motors series Sh with cast-iron housing. High voltage motors with module construction (steel/welded housing) series Sf (-E), Sfw, Sfr.</p>	<p>from 160kW up to 6000kW</p>	<p>for general industrial use, drives used for own needs of power plants (pumps, fans, coal mills, conveyors)</p>
<p>BRAKE MOTORS</p>	<p>Three-phase and single-phase brake motors with AC and DC brakes</p>	<p>from 0,04kW up to 160kW</p>	<p>for applications with high safety requirements or where immediate stopping of the drive is required e.g.: theatres, concert, halls, lifts, platforms, etc.</p>
<p>MOTORS WITH FORCED VENTILATION</p>	<p>Three-phase induction motors with forced ventilation.</p>	<p>from 0,06kW up to 2500kW</p>	<p>for variable frequency drives with very wide speed regulation</p>
<p>EXPLOSION-PROOF MOTORS</p>	<p>Increased safety motors</p>	<p>from 0,06kW up to 22kW</p>	<p>adapted for operation in areas endangered by explosion (without methane)</p>
	<p>Flame-proof motors</p>	<p>from 0,55kW up to 3200kW</p>	<p>for applications in chemical and mining industry where explosive atmosphere of gases, vapours or dust can occur</p>
<p>NEMA MOTORS</p>	<p>Low voltage NEMA motors SIE series (in compliance with the NEMA PREMIUM requirements).</p>	<p>from 1HP up to 250HP</p>	<p>for general industrial applications like pumps (including JM and JP), fans, compressors also for Hazardous Locations (Class I Div 2, Class II Div 2) with CSA certificate</p>
<p>TRACTION MOTORS</p>	<p>Traction motors and traction generators.</p>	<p>from 50kW up to 1500kW</p>	<p>various traction vehicles: trams (including low-deck trams), trolleybuses, subway and locomotives</p>

Contents

General information.....	2
Efficiency of motors.....	2
Ratings – Tolerances	4
Standards.....	4
Insulation classification.....	5
Cooling.....	6
Standard terminal box equipment.....	7
Vibration level.....	7
Noise level.....	7
Terminal box.....	8
Degree of protection IP	10
Painting and corrosivity classes.....	11
Mounting arrangements	12
Definitions	13
Permissible shaft end loads	14
Bearing types and bearing nodes	16
Material of housing, end shields and feet	18
Nomenclature	19
Frequency converter operation (VSD).....	19
Totally Enclosed Motors IP 55, f = 50Hz, at 230/380/400V (690V).....	20
Totally Enclosed Motors IP 55, f = 60Hz, at 230/380/400V (690V).....	26
Totally Enclosed Motors IP 55, f = 60Hz, at 265/460V (795V)	32
Totally Enclosed Increased Output Motors IP 55, f = 50Hz, at 230/380/400V	38
Totally Enclosed Increased Output Motors IP 55, f = 60Hz, at 230/380/400V	40
Totally Enclosed Increased Output Motors IP 55, f = 60Hz, at 265/460V.....	42
Dimensions of Foot Mounted Motors – IM B3	44
Dimensions of Flange Mounted Motors – IM B5, IM V1	48
Dimensions of Foot / Flange Mounted Motors – IM B35.....	52
Dimensions of Flange Mounted Motors – IM B14	56
List of Motor parts	59
Ordering information	66
Order form.....	67
Certifications	68
Our approach	70
Cantoni Group, Cantoni Motor	71

Efficiency of motors

New efficiency classes for the low-voltage three-phase motors (IE = International Efficiency).

Along with the international discussion on energy efficiency a worldwide harmonized energy efficiency standard classification system has been established for low-voltage three-phase asynchronous motors. For many years low-voltage three-phase motors in the European Union have been sold in three efficiency classes EFF3, EFF2 and EFF1. Aside from this, many different efficiency classification systems have been introduced and well-proven in many countries all over the world.

This was the reason for the International Electrotechnical Commission IEC to develop and publish an energy efficiency standard which replaces all previous national issues. In parallel IEC developed and issued a new standard for determining motor efficiency. The new standard IEC 60034-30-1 defines and harmonizes worldwide the efficiency classes IE1, IE2, IE3 and IE4 for low-voltage three-phase motors in the power range from 0,12 kW to 1000 kW (2p=2, 4, 6, 8).

IE1 = Standard Efficiency

IE2 = High Efficiency

IE3 = Premium Efficiency

IE4 = Super Premium Efficiency

Complying with IEC 60034-30-1 standard the efficiency has to be determined in accordance with the new requirements given in the IEC 60034-2-1 standard.

New EU Commission Regulation 2019/1781 & 2021/341 regarding minimum efficiency of electric motors.

Motors covered by new Regulation

Type	general purpose, geared, with brake, Ex
Voltage	>50V ÷ 1000V
Frequency	50 Hz, 60 Hz or 50/60 Hz
Number of poles	2, 4, 6, 8
Rated power	0,12kW ÷ 1000kW
Duty	continuous (S1, S3≥80 % or S6≥80%)

Motors excluded from new Regulation

Type	<ul style="list-style-type: none"> • multi-speed, slip-ring and with mechanical commutators • motors completely integrated into a product whose efficiency cannot be tested independently from the product • motors with an integrated variable speed drive (compact drives) whose efficiency cannot be tested independently from the variable speed drive • motors with an integrated brake which forms an integral part of the inner motor construction and can neither be removed nor powered by a separate power source during the testing of the motor efficiency • motors specifically designed and specified to operate wholly immersed in a liquid • motors specifically qualified for the safety of nuclear installations, as defined in Article 3 of Council Directive 2009/71/EURATOM • explosion-protected motors specifically designed and certified for mining, as defined in Annex I, point 1 of Directive 2014/34/EU • motors in cordless or battery-operated equipment and motors in hand-held equipment whose weight is supported by hand during operation • motors in hand-guided mobile equipment moved while in operation • Totally Enclosed Non-Ventilated (TENV) motors • motors placed on the market before 1 July 2029 as substitutes for identical motors integrated in products placed on the market before 1 July 2021, and specifically marketed as such • motors designed specifically for the traction of electric vehicles
-------------	--

Designed for altitudes	> 4000 m a.s.l.
Designed for ambient temperatures	< -30°C or > 60°C
With maximum operating temperatures	> 400°C

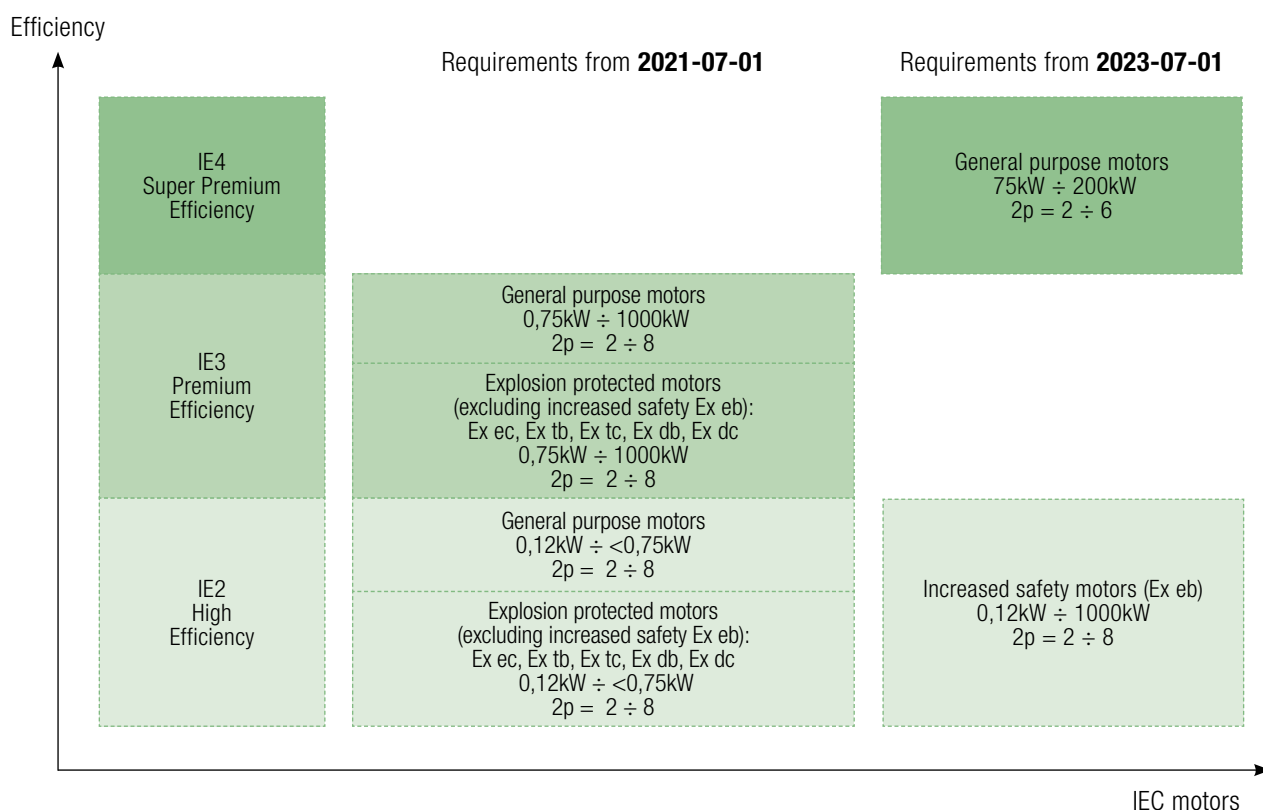
The Commission Regulation (EC) No 2019/1781 & 2021/341 describes efficiency requirements coming into force on **2021-07-01** and **2023-07-01**. The required efficiency class of three phase induction motors has to be as follows:

Required efficiency class of three phase induction motors	General purpose motors	Explosion protected motors except motors dedicated for underground mining	
		Increased safety (Ex eb)	Others (Ex ec, Ex tb, Ex tc, Ex db, Ex dc)
IE2	0,12kW ÷ <0,75kW 2p = 2 ÷ 8 from 2021-07-01	0,12kW ÷ 1000kW 2p = 2 ÷ 8 from 2023-07-01	0,12kW ÷ <0,75kW 2p = 2 ÷ 8 from 2021-07-01
IE3	0,75kW ÷ 1000kW 2p = 2 ÷ 8 from 2021-07-01	–	0,75kW ÷ 1000kW 2p = 2 ÷ 8 from 2021-07-01
IE4	75kW ÷ 200kW 2p = 2 ÷ 6 from 2023-07-01	–	–

Cantoni Group pursuing a policy of continuous development of its products, back in the past already took actions to extend offer of high efficiency motors including also explosion-proof motors – we are ready for the new requirements.

Moreover, at this point, **we can deliver to our Customers motors with higher efficiencies or in wider range than defined in Regulation 2019/1781 & 2021/341.**

A graph representation of the above table:



IE4 efficiency motors available upon request.

Ratings – Tolerances

Tolerances of motor parameters

Permissible deviations between catalogue values and real values are according to the IEC 60034-1:

Power factor $\cos \varphi$	$\Delta \cos \varphi = -1/6 (1 - \cos \varphi_N)$
Efficiency η	$\Delta \eta = -15\% (100 - \eta_N)$ for $P_N \leq 150 \text{ kW}$ $\Delta \eta = -10\% (100 - \eta_N)$ for $P_N > 150 \text{ kW}$
Speed n	$\Delta n = \pm 20\% (n_s - n_N)$ for $P_N > 1 \text{ kW}$ $\Delta n = \pm 30\% (n_s - n_N)$ for $P_N \leq 1 \text{ kW}$
Locked rotor current ratio I_L/I_N	$\Delta(I_L/I_N) = +20\% (I_L/I_N)$
Locked rotor torque ratio T_L/T_N	$\min (T_L/T_N) = -15\% (T_L/T_N)$ $\max (T_L/T_N) = +25\% (T_L/T_N)$
Breakdown torque ratio T_B/T_N	$\Delta(T_B/T_N) = -10\% (T_B/T_N)$
Moment of inertia J [kgm ²]	$\Delta J = \pm 10\% J$
Sound pressure level L_{pA} [dB]	$\Delta L_{pA} = +3 \text{ dB / A}$

Tolerances of supply voltage value and frequency

Motors comply in standard with voltage value and voltage frequency variations within zone A according to the IEC 60034-1:

Voltage value U	$\Delta U = \pm 5\%$
Voltage frequency f	$\Delta f = \pm 2\%$

Other extended tolerances of supply voltage and their frequency are available on request.

Standards

The electric motors are manufactured according to the international standards:

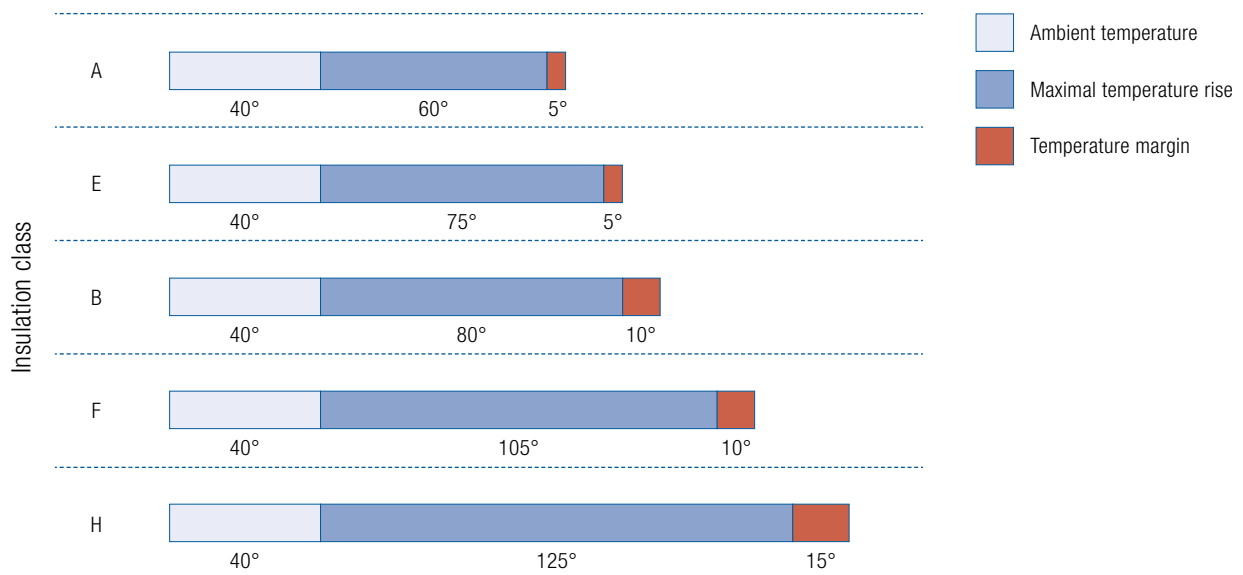
Rating and performance	IEC 60034-1
Methods for determining losses and efficiency	IEC 60034-2-1
Classification of degrees of protection	IEC 60034-5
Methods of cooling	IEC 60034-6
Symbols of construction and mounting arrangements	IEC 60034-7
Terminal markings and direction of rotation	IEC 60034-8
Noise limits	IEC 60034-9
Dimensions and output of electric machines	IEC 60072-1
Vibration limits	IEC 60034-14

Insulation classification

The insulation system of an electric motor is determined by a given insulation class on the basis of its thermal resistance. This thermal resistance should be guaranteed by the entire set of electric insulating materials used in the motor insulating system.

Thermal resistance classification is related to the temperature of the hotspot in the insulation occurring during rated operating conditions of the electric motor, allowing for the highest permissible rise in average temperature.

This rise should be selected so that at the highest permissible ambient temperature, the temperature of the hotspot in insulation will not exceed the value assigned to a given thermal resistance class.



Insulation class F in an electric motor means that at ambient temperature of 40°C the temperature rise of the winding may be max. 105°C with the additional temperature margin of 10°C (under specified measuring conditions in accordance with the IEC 60034-1 standard).

Symbols of thermal resistance classes (permissible insulation temperatures at 40°C ambient temperature)

Symbol	Temperature [°C]
A	105
E	120
B	130
F	155
H	180

3SIE series Class F/B

The standard motors made by Cantoni Motor in their basic version have the insulation class F while the temperature rise is for class B. This means longer life for motors.

For special request we can deliver motors equipped with insulation class H.

Strengthened insulation system gives possibility to safe operation with frequency converters.

Cooling

General purpose motors from Cantoni Group are equipped with standard IC411 cooling according to IEC 60034-6. Other cooling methods (for example motors with external/separate cooling) are available on request.

IC code according to IEC 60034-6	Description	Drawing
IC01	<ul style="list-style-type: none"> – Open machine – Fan mounted on shaft – Often called "drip-proof" motor 	
IC410	<ul style="list-style-type: none"> – Enclosed machine – Surface cooled by natural convection and radiation – Without internal or external fan 	
IC411	<ul style="list-style-type: none"> – Enclosed machine – Smooth or finned casing – External shaft-mounted fan – Often called TEFC motor 	
IC416A	<ul style="list-style-type: none"> – Enclosed machine – Smooth or finned casing – External motorized axial fan integrated with the motor 	
IC416R	<ul style="list-style-type: none"> – Enclosed machine – Smooth or finned casing – External motorized radial fan integrated with the motor 	
IC611	<ul style="list-style-type: none"> – Enclosed machine – Heat Exchanger fitted – Two separate air circuits – Shaft-mounted Fans – Often called CacA motor 	

Standard terminal box equipment

Motor frame size	Number of terminals	Number of cable glands	Size of cable glands	Permissible cable diameter for cable gland	Optional rotation of terminal box	Temperature sensors in the winding	Thermal protection of bearings
56	6	1	M20	7÷13	180°	on request	no
63	6	1	M20	7÷13	180°	on request	no
71	6	1	M20	7÷13	180°	on request	no
80	6	1	M20	7÷13	180°	on request	no
90	6	1	M20	7÷13	180°	on request	no
100	6	1	M20	7÷13	180°	on request	no
112	6	1	M25	9÷17	180°	on request	no
132	6	1	M25	9÷17	180°	on request	no
160	6	1	M40	19÷28	180°	on request	on request
180	6	1	M40	19÷28	180°	on request	on request
200L8	6	1	M40	19÷28	180°	on request	on request
200L2÷6	6	3	2xM50/1xM16	24÷32/4÷8	4x90°	3xPTC	on request
225	6	3	2xM50/1xM16	24÷32/4÷8	4x90°	3xPTC	on request
250	6	3	2xM63/1xM16	32÷40/4÷8	4x90°	3xPTC	on request
280	6	3	2xM63/1xM16	32÷40/4÷8	4x90°	3xPTC	on request
315	6	3	2xM63/1xM16	44÷55/4÷8	4x90°	3xPTC	on request
355ML	6	4	2xM63/2xM20	51÷56/7÷13	4x90°	3xPTC	on request
355H	6	2	2xM63	51÷56	4x90°	3xPt100	Pt100
400	6 (bars)	3	3xM63	44÷55	180°	3xPt100	Pt100
450	3 (bars)	3	3xM80	58÷64	180°	3xPt100	Pt100
500	3 (bars)	on request	on request	on request	180°	3xPt100	Pt100

Vibration level

The rotor balancing method guarantees that a standard vibration level A is maintained in accordance with the IEC 60034-14. On customer's demand the motors can be produced with reduced vibration (level B).

Limits of maximum vibration velocity (r.m.s.) for shaft height H according to IEC 60034-14

Vibration level	Shaft height	132 < H ≤ 280	H > 280
	Fitting type	mm/s	mm/s
A	Free suspension	2.2	2.8
	Rigid setting	1.8	2.3
B	Free suspension	1.1	1.8
	Rigid setting	0.9	1.5

Remark:

Limits stated in the table mentioned above are applicable for uncoupled (disconnected from the driven machine) and operating at no load motors.

Noise level

Motors in standard comply with a permissible sound power level according to IEC 60034-9.

On customer's demand the motors can be delivered with reduced noise level by using special cooling systems or additional external sound-absorbing covers.

Terminal box

The terminal boxes of low voltage motors have threaded inlet holes designed for mounting cable glands.

The box contains a terminal board with marked terminals making possible connection of supply cables.

In addition, terminal boxes may be provided with additional terminals connected to the ends of thermal protection or anticondensation heater circuits and extra glands to connect these circuits.

Starting from frame size 355 motors contain terminal boxes with cable gland seals.

The circuits of thermal protection and anticondensation heaters are connected to separate terminal boxes.

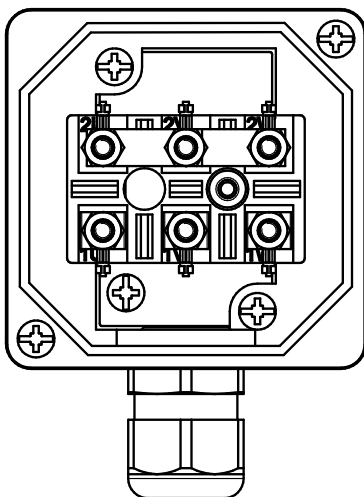
Inside the boxes there are special clamps used to ground the supply cable armouring.



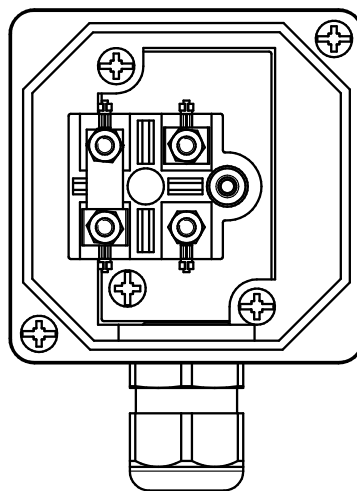
In standard all motors except series 2Sg are equipped with terminal box mounted on top (in case of 2Sg series terminal box can be on right or left side).

Standard terminal box view:

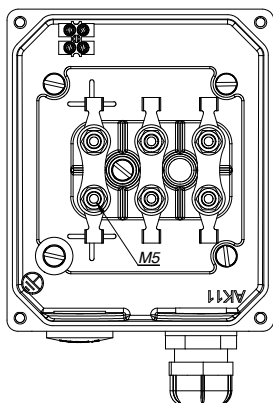
Frame size
3SIE, 2SIE, Sh56÷80 3-phase



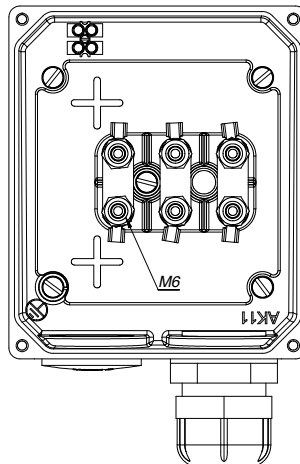
Frame size
SE(M)h56÷90 1-phase



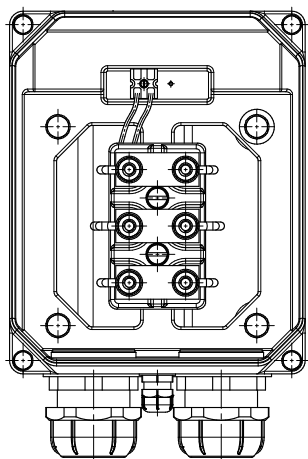
Frame size
3SIE90÷112



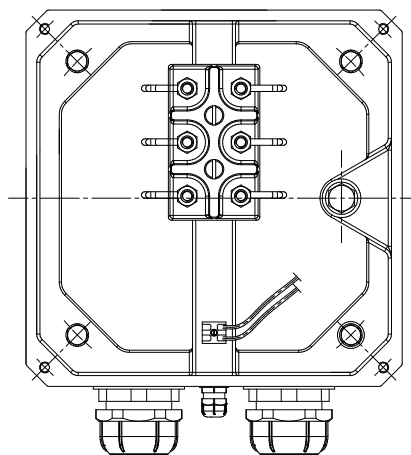
Frame size
3SIE132÷180 and 200L8



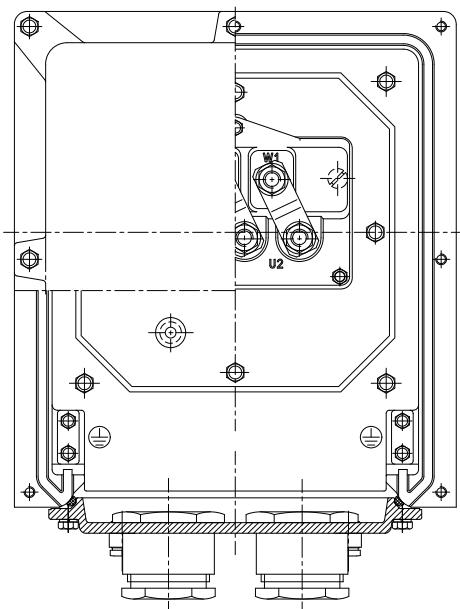
Frame size
3SIE200÷280 (except 200L8)
and 2Sg200 ÷ 315



Frame size
(3)SIE315




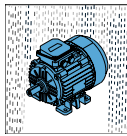

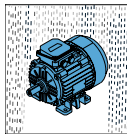
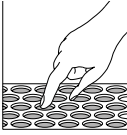
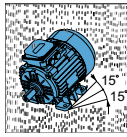
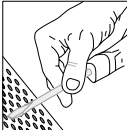
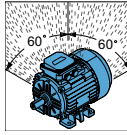
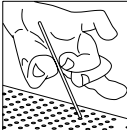
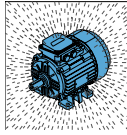
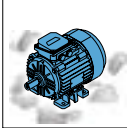
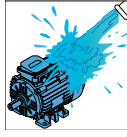
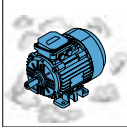

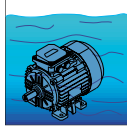
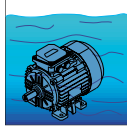
Frame size
2(3)SIE355ML
2(3)SIE355H



Degree of protection IP

IP 55

Degree of protection IP55 is the standard of our production according to the standard IEC 60034-5

Protection against penetration of solid matter			Protection against penetration of fluids		
1st digit	Description		2nd digit	Description	
0	 Not protected		0	 Not protected	
1	 Protected against solid bodies larger than 50 mm		1	 Protected against vertically falling drops of water	
2	 Protected against solid bodies larger than 12 mm		2	 Protected against vertically falling drops of water up to 15°	
3	 Protected against solid bodies larger than 2,5 mm		3	 Protected against rain up to 60°	
4	 Protected against solid bodies larger than 1 mm		4	 Protected against rain falling from any direction	
5	 Protected against deposition of dust		5	 Protected against sprayed water from any direction	
6	 Totally protected against deposition of dust		6	 Protected against temporary immersion	
			7	 Protected against immersion between 0,15 and 1 m	
			8	 Protected against immersion at preset pressure and time	

Each size 56 to 180 motor is equipped with seal rings (Simmerring or V-ring) on drive side and on non drive side. Labyrinth seals protect the motors from size 200 and above. The terminal box is sealed with a gasket.

Higher degree of protection is available on request.

Painting and corrosivity classes

Standard painting system with RAL5010 color used in all our motors comply with C3 corrosion class according to ISO 12944.

For special request motors can be painted with other colors and with alternative painting systems (up to C5M corrosion class).

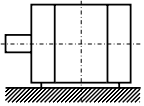
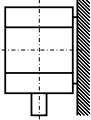
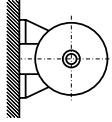
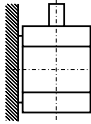
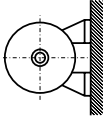
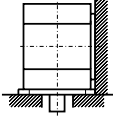
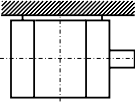
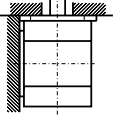
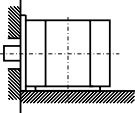
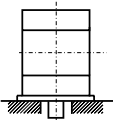
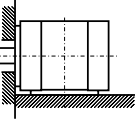
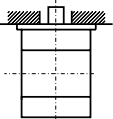
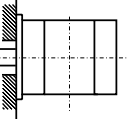
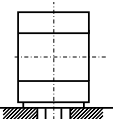
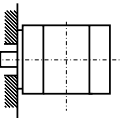
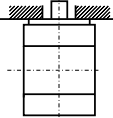
RAL 5010/C3



Corrosion class	Environment	
	Interior	Exterior
C1 (very low)	Heated buildings with a clean atmosphere such as hotels, offices, shops, schools.	N/A
C2 (low)	Unheated buildings, where condensation may occur e.g. storehouses, sports halls.	Atmosphere contaminated to a small extent, mostly rural regions.
C3 (medium)	Production space of high humidity and certain air contamination e.g. foodstuff plants, laundries, breweries, dairies.	Industrial and urban atmosphere with an average Sulphur oxide (IV) contamination level. Inshore areas of low salinity.
C4 (high)	Chemical plants, swimming pools, ship repair yards.	Industrial areas and inshore areas of medium salinity.
C5I (very high – industrial)	Buildings and areas of almost constant condensation and high contamination.	Industrial areas of high humidity and aggressive atmosphere.
C5M (very high – marine)	Buildings and areas of almost constant condensation and high contamination.	Coast and offshore areas with high salt content.

Mounting arrangements

According to the IEC 60034-7 standard

Horizontal shaft				Vertical shaft			
Designation				Designation			
Code II	Code I	Frame size		Code II	Code I	Frame size	
	IM 1001	IM B3	56 ÷ 500		IM 1011	IM V5	56 ÷ 315
	IM 1051	IM B6	56 ÷ 280		IM 1031	IM V6	56 ÷ 315
	IM 1061	IM B7	56 ÷ 280		IM 2011 or IM 2111	IM V15	56 ÷ 355
	IM 1071	IM B8	56 ÷ 280		IM 2031 or IM 2131	IM V36	56 ÷ 355
	IM 2001	IM B35	56 ÷ 500		IM 3011	IM V1	56 ÷ 500
	IM 2101	IM B34	56 ÷ 132		IM 3031	IM V3	56 ÷ 280
	IM 3001	IM B5	56 ÷ 315		IM 3611	IM V18	56 ÷ 180
	IM 3601	IM B14	56 ÷ 132		IM 3631	IM V19	56 ÷ 180

*Other mounting arrangements available on special request

Definitions

Relation between rated output power and rated torque on motor shaft:

$$T = \frac{9,55 \times P}{n}$$

where:

- T [Nm] is rated output torque on motor shaft
- P [W] is rated output power on motor shaft
- n [rpm] is rated speed of motor shaft

Relation between rated output power on shaft and rated consumed power from mains:

$$P_1 = \frac{P}{\eta} \times 100$$

where:

- P_1 [kW] is rated consumed power from mains by motor
- P [kW] is rated output power on motor shaft
- η [%] is rated efficiency of motor

Relation between rated consumed power from mains and rated voltage, current, power factor:

$$P_1 = \sqrt{3} \times U \times I \times \cos\varphi$$

where:

- P_1 [W] is rated consumed power from mains by motor
- U [V] is rated supply voltage of motor
- I [A] is rated current consumed from mains by motor
- $\cos\varphi$ is rated power factor of motor

Units of measurement

Parameter name	Symbol	Unit name	Symbol
Frequency	f	Hertz	Hz
Active power	P	Watt	W
Voltage	U	Volt	V
Electric Current	I	Amper	A
Power factor	cosφ	N/A	N/A
Resistance	R	Ohm	Ω
Sound power level	L _w	decibel	dB
Sound pressure level	L _p	decibel	dB

Permissible shaft end loads

Frame size	Number of poles	Horizontal operation		Vertical operation			Frame size	Number of poles	Horizontal operation		Vertical operation		
		$F_R(x=0)$	$F_R(x=\max)$	F_P	F_{a1}	F_{a2}			$F_R(x=0)$	$F_R(x=\max)$	F_P	F_{a1}	F_{a2}
		[kN]		[kN]					[kN]		[kN]		
2SIE (Sh) 56	2	0,20	0,16	0,04	0,03	0,05	3SIE 225 S	4	4,18	3,40	3,19	2,42	4,16
	4	0,25	0,20	0,05	0,04	0,06		8	5,55	4,40	4,55	3,80	5,52
	6	0,25	0,20	0,06	0,05	0,07		2	3,31	2,81	2,53	1,93	3,29
2SIE (Sh) 63	2	0,20	0,16	0,04	0,04	0,06	3SIE 225 M	4	3,97	3,23	3,13	2,26	4,24
	4	0,25	0,20	0,06	0,05	0,07		6	4,57	3,72	3,98	2,95	5,33
	6	0,27	0,22	0,06	0,05	0,07		8	5,35	4,24	4,48	3,62	5,62
	8	0,27	0,22	0,07	0,06	0,08		2	4,09	3,39	3,11	2,33	4,13
3,2SIE (Sh) 71	2	0,29	0,24	0,07	0,05	0,09	3SIE 250 M	4	4,90	4,06	3,85	2,68	5,36
	4	0,36	0,30	0,09	0,07	0,11		6	5,92	4,90	4,99	3,81	6,55
	6	0,40	0,35	0,10	0,08	0,12		8	6,52	5,28	5,49	4,26	7,10
	8	0,40	0,35	0,11	0,09	0,13		2	3,94	3,34	3,07	2,01	4,43
3,2SIE 80	2	0,33	0,27	0,09	0,06	0,12	3SIE 280 S	4	6,69	5,67	5,01	3,65	6,77
	4	0,44	0,37	0,12	0,09	0,15		6	7,86	6,67	5,79	4,32	7,70
	6	0,51	0,42	0,14	0,11	0,17		8	8,78	7,27	7,09	5,78	8,84
	8	0,51	0,42	0,17	0,15	0,20		2	3,80	3,22	3,03	1,89	4,49
3SIE 90	2	0,79	0,66	0,64	0,44	0,84	3SIE 280 M	4	6,15	5,22	4,86	3,16	7,04
	4	1,00	0,83	0,80	0,65	1,05		6	7,69	6,52	5,75	4,19	7,75
	6, 8	1,15	0,95	0,90	0,77	1,17		8	8,47	7,01	6,99	5,45	9,03
3SIE 100	2	1,11	0,89	0,90	0,61	1,17	3SIE 315 S	2	3,56	3,08	2,96	1,63	4,69
	4	1,39	1,12	1,12	0,90	1,46		4	5,75	4,82	4,74	2,71	7,37
	6, 8	1,60	1,29	1,26	1,08	1,64		6	7,21	6,04	5,61	3,84	8,14
3SIE 112	2	1,56	1,22	1,23	0,84	1,60	3SIE 315 MA	8	8,51	7,05	7,03	5,32	9,30
	4	1,92	1,58	1,50	1,19	1,96		2	3,07	2,65	2,82	1,23	4,89
	6, 8	2,20	1,80	1,69	1,26	2,20		4	5,40	4,52	4,64	2,41	7,53
3SIE 132	2	2,11	1,65	1,82	0,98	2,37	3SIE 315 MB	6	6,75	5,66	5,48	3,22	8,40
	4	2,67	2,08	2,31	1,36	3,00		8	7,88	6,52	6,83	4,72	9,62
	6, 8	3,06	2,39	2,51	1,40	3,26		2	2,67	2,31	2,71	0,91	5,05
3SIE 160	2	2,43	1,88	1,97	1,00	2,56	3SIE 315 MC	4	5,16	4,33	4,58	2,20	7,64
	4	3,06	2,38	2,54	1,43	3,31		6	6,27	5,33	5,34	2,68	8,78
	6, 8	3,54	2,81	2,83	1,80	3,68		8	7,22	5,98	6,63	4,08	10,00
3SIE 180	2	2,61	2,13	2,20	1,00	2,87	3SIE 315 MD	2	2,84	2,48	2,71	0,63	5,37
	4	3,30	2,68	2,83	1,37	3,68		4	6,27	5,33	4,34	1,46	8,06
	6, 8	3,78	3,07	3,17	1,93	4,12		6	7,57	6,44	5,08	1,87	9,23
3SIE 200 LA	2	2,91	2,44	2,24	1,72	2,92	3SIE 200 L	8	8,76	7,45	6,76	3,48	11,12
3SIE 200 LB	2	2,85	2,39	2,23	1,67	2,93		6	7,47	6,36	5,05	1,82	9,22
3SIE 200 L	4	3,61	3,03	2,81	2,12	3,70		8	8,62	7,33	6,71	3,34	11,20
3SIE 200 LA	6	4,31	3,62	3,62	2,92	4,56							
3SIE 200 LB	6	4,06	3,40	3,54	2,71	4,65							
3SIE 200 L	8	4,84	3,97	4,02	3,35	4,89							
2Sg (2p = 10÷12)													
		$F_R(x=0)$	$F_R(x=\max)$	F_P	F_{a1}	F_{a2}			$F_R(x=0)$	$F_R(x=\max)$	F_P	F_{a1}	F_{a2}
		[kN]		[kN]					[kN]		[kN]		
2Sg 200LA	10	5,50	4,60	4,20	3,50	5,10	2Sg 280S	10	9,30	7,70	6,70	5,40	8,40
2Sg 200LB	10	5,50	4,50	4,10	3,40	5,10		12	9,80	8,10	7,00	5,70	8,70
2Sg 200L	12	5,90	4,90	4,40	3,70	5,40	2Sg 280M	10	8,80	7,30	6,50	5,20	8,20
2Sg 225S	10	6,50	5,10	4,70	4,00	5,60		12	9,20	7,60	6,80	5,00	9,30
	12	6,70	5,30	4,80	4,20	6,00	2Sg 315S	10	9,30	7,70	7,60	5,50	10,20
2Sg 225M	10	6,30	4,90	5,70	4,40	7,40		12	9,80	8,10	8,00	5,90	10,80
	12	6,70	5,30	4,90	3,90	6,20	2Sg 315M	10	8,40	7,00	7,30	4,80	10,70
2Sg 250M	10	7,50	6,20	5,70	4,40	7,40	2Sg 315MA	12	9,30	7,70	7,90	5,50	11,10
	12	8,10	6,70	6,10	4,80	7,80	2Sg 315MB	12	9,10	7,60	7,80	5,30	11,20

Permissible shaft end loads

Value of radial force F_R acting on the shaft end for a given belt pulley diameter is calculated according to the following formula:

$$F_R = \frac{19\,600 \times P \times k}{D_K \times n} \quad [\text{N}]$$

where: P – motor output [kW]

D_K – belt pulley diameter [m]

n – speed [rpm]

k – belt tension factor:

for V-belts $k=2,2$

for flat belts $k=3$

Value of force F_R acting on any point of the shaft end (between points $X=\text{max}$ and $X=0$) may be calculated according to the following formula:

$$F_R = F_{X0} - \frac{X}{E} \times (F_{X0} - F_{X\text{MAX}}) \quad [\text{N}]$$

where: F_{X0} – value of F_R force acting on the beginning of the shaft end

$F_{X\text{MAX}}$ – value of F_R force acting on the end of the shaft end

E – length of the shaft end

VERSION WITH ROLLER BEARINGS for motors 355

Mechanical Size	Type of construction	No. of poles, 2p	D.E. bearing	N.D.E. bearing
3SIE 355 ML	IM1001 (B3)	4÷8	NU222EM1C3	6222 C3
3SIE 355 ML	IM1001 (B3)	4÷8	NU322 EM1C3 ¹⁾	6322 C3 ¹⁾
3SIE 355 H	IM1001 (B3)	4÷8	NU322 EM1C3	6322 C3

Motor type	Number of poles	Length of shaft extension E (mm)	Horizontal mounting		
			Permissible radial forces		Permissible axial forces
			F_{X0} kN	$F_{X\text{max}}$ kN	F_A kN
3SIE 355 ML	4	210	22	18	5
	6	210	23	15	5,5
	8 ²⁾	210	24	14	6
3SIE 355 ML	4	210	34,0 ¹⁾	21,0 ¹⁾	7,0 ¹⁾
	6	210	36,0 ¹⁾	21,0 ¹⁾	8,0 ¹⁾
	8 ²⁾	210	38 ¹⁾	21 ¹⁾	9 ¹⁾
3SIE 355 H	4	210	27	17	6
	6	210	29	15	7
	8 ²⁾	210	30	15	8

VERSION WITH ROLLER BEARINGS for motors 3SIE/Sh 400-500

Mechanical Size	Type of construction	No. of poles, 2p	D.E. bearing	N.D.E. bearing
3SIE/Sh 400..s	IM1001 (B3)	4÷10	on request	on request
3SIE/Sh 450..s	IM1001 (B3)	4÷12	on request	on request
3SIE/Sh 500..s	IM1001 (B3)	4÷10	on request	on request

¹⁾ oversized bearings.

²⁾ vertical operation possible upon request.

For motors series Sh size ≥ 400 information about permissible loads on request.

Bearing types and bearing nodes

Frame size	Number of poles	Bearings
2SIE (Sh) 56	2÷6	6201 2Z C3
2SIE (Sh) 63	2÷8	6202 2Z C3
3,2SIE (Sh) 71	2÷8	6203 2Z C3
3,2 SIE 80	2÷8	6204 2Z C3
3SIE 90	2÷8	6205 2Z C3
3SIE 100	2÷8	6206 2Z C3
3SIE 112	2÷8	6306 2Z C3
3SIE 132	2÷8	6308 2Z C3
3SIE 160	2÷8	6309 2Z C3
3SIE 180	2÷8	6311 2Z C3
3SIE 200L8	8	6312 2Z C3/6311 2Z C3
3SIE 200	2÷6	6312 C3
3SIE 225	2÷8	6313 C3
3SIE 250	2÷8	6315 C3
3SIE 280	2÷8	6315 C3
3SIE 280	4÷8	6318 C3
3SIE 315S,MA,MB	2	6315 C3
3SIE 315MC	2	6316 C3
3SIE 315S,MA,MB	4÷8	6318 C3
3SIE 315MC,MD	4÷8	6320 C3 / 6318 C3

The bearings in basic version of motors for horizontal and vertical duty, excluding 3SIE 315 with 2p=2.

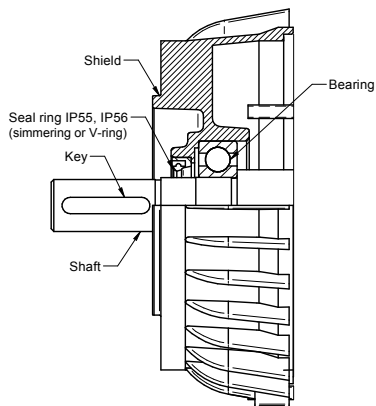
BEARINGS for 2Sg (2p = 10 ÷ 12)		
Frame size	Number of poles	Bearings
2Sg 200	10÷12	6312 C3
2Sg 225	10÷12	6313 C3
2Sg 250	10÷12	6315 C3
2Sg 280	10÷12	6317 C3
2Sg 315	10÷12	6318 C3

Frame size	Type of construction	No. of poles, 2p	D.E. Bearing	N.D.E. Bearing
3SIE 355ML	IM1001 (B3)	2	6217 C3	6217 C3
3SIEL 355ML	IM2001 (B35)	4÷8	6222 C3	6222 C3
3SIEK 355ML	IM3011 (V1)	4÷8	6322 C3	6322 C3
3SIE 355H	IM1001 (B3)	2	6217 C3	6217 C3
3SIEL 355H	IM2001 (B35)	4÷8	6322 C3	6322 C3
3SIEK 355H	IM3011 (V1)	4÷8	6322 C3	6322 C3
3SIE 355..s	IM1001 (B3)	2	6217 C3	6217 C3
3SIEL 355..s	IM2001 (B35)	4÷8	6322 C3	6322 C3
3SIEK 355..s	IM3001 (V1)	4÷8	6322 C3	6322 C3
3SIE 400..s	IM1001 (B3)	2		
3SIEL 400..s	IM2001 (B35)	4÷10		
3SIEK 400..s	IM3011 (V1)	4÷10		
3SIE 450..s	IM1001 (B3)	4÷12		
3SIEL 450..s	IM2001 (B35)	4÷12		on request
3SIEK 450..s	IM3011 (V1)	4÷12		
3SIE 500..s	IM1001 (B3)	4÷12		
3SIEL 500..s	IM2001 (B35)	4÷12		
3SIEK 500..s	IM3011 (V1)	4÷12		

The bearings in basic version of motors for horizontal and vertical duty.

Bearing types and bearing nodes

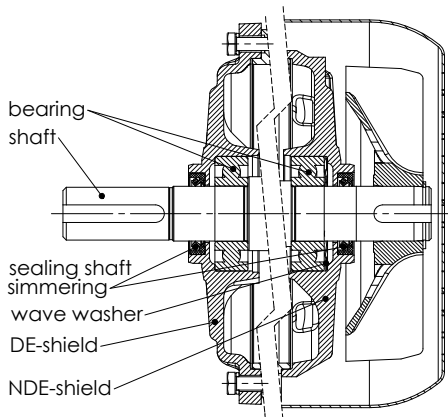
Frame size
3SIE, S(E)h56 ÷ 80



Motor frame size	Bearings lubrication on the run	Motor frame size	Bearings lubrication on the run
56	no	200L2÷6	yes
63	no	225	yes
71	no	250	yes
80	no	280	yes
90	no	315	yes
100	no	355ML	yes
112	no	355H	yes
132	on request	400	yes
160	on request	450	yes
180	on request	500	yes
200L8	on request		

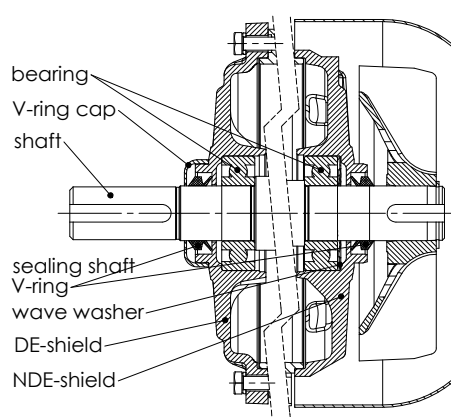
Frame size
3SIE90 ÷ 180 and 200L8 (with simmering)

D side ND side

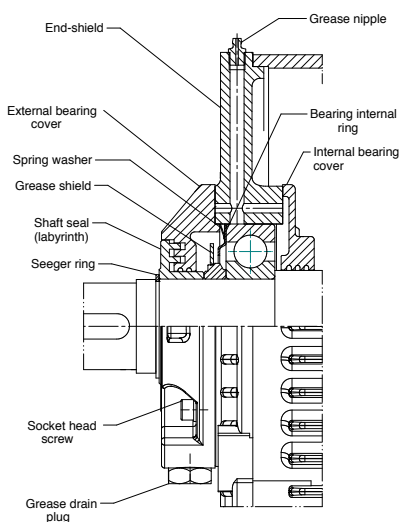


Frame size
3SIE90 ÷ 180 and 200L8 (with V-ring)

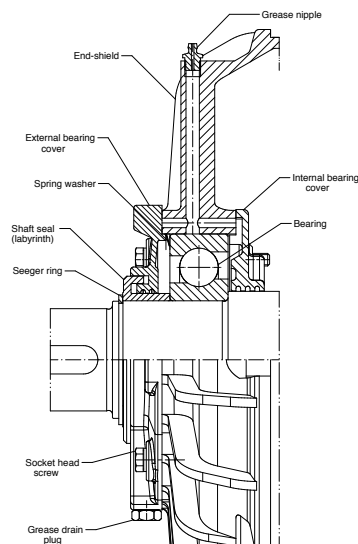
D side ND side



Frame size
(2,3)SIE200 ÷ (2,3)SIE315 (except 200L8) and 2Sg315



Frame size
2Sg200 ÷ 2Sg280



Material of housing, end shields and feet

Frame size [mm]	Motor housing	End shields	Feet
2SIE (Sh) 56	Aluminium	Aluminium	Aluminium – screwed
2SIE (Sh) 63	Aluminium	Aluminium	Aluminium – screwed
3,2SIE (Sh) 71	Aluminium	Aluminium	Aluminium – screwed
3,2SIE 80	Aluminium	Aluminium	Aluminium – screwed
3SIE 90	Aluminium	Aluminium	Aluminium – screwed
3SIE 100	Aluminium	Aluminium	Aluminium – screwed
3SIE 112	Aluminium	Cast iron	Aluminium – screwed
3SIE 132	Aluminium/Cast iron	Cast iron	Aluminium/Cast iron – screwed or integrated
3SIE 160	Cast iron	Cast iron	Cast iron – screwed or integrated
3SIE 180	Cast iron	Cast iron	Cast iron – screwed or integrated
3SIE 200	Cast iron	Cast iron	Cast iron – screwed or integrated
3SIE 225	Cast iron	Cast iron	Cast iron – screwed or integrated
3SIE 250	Cast iron	Cast iron	Cast iron – screwed or integrated
3SIE 280	Cast iron	Cast iron	Cast iron – screwed or integrated
3SIE 315	Cast iron	Cast iron	Cast iron – screwed or integrated
355	Cast iron	Cast iron	Cast iron – integrated
400	Cast iron	Cast iron	Cast iron – integrated
450	Cast iron	Cast iron	Cast iron – integrated
500	Cast iron	Cast iron	Cast iron – integrated

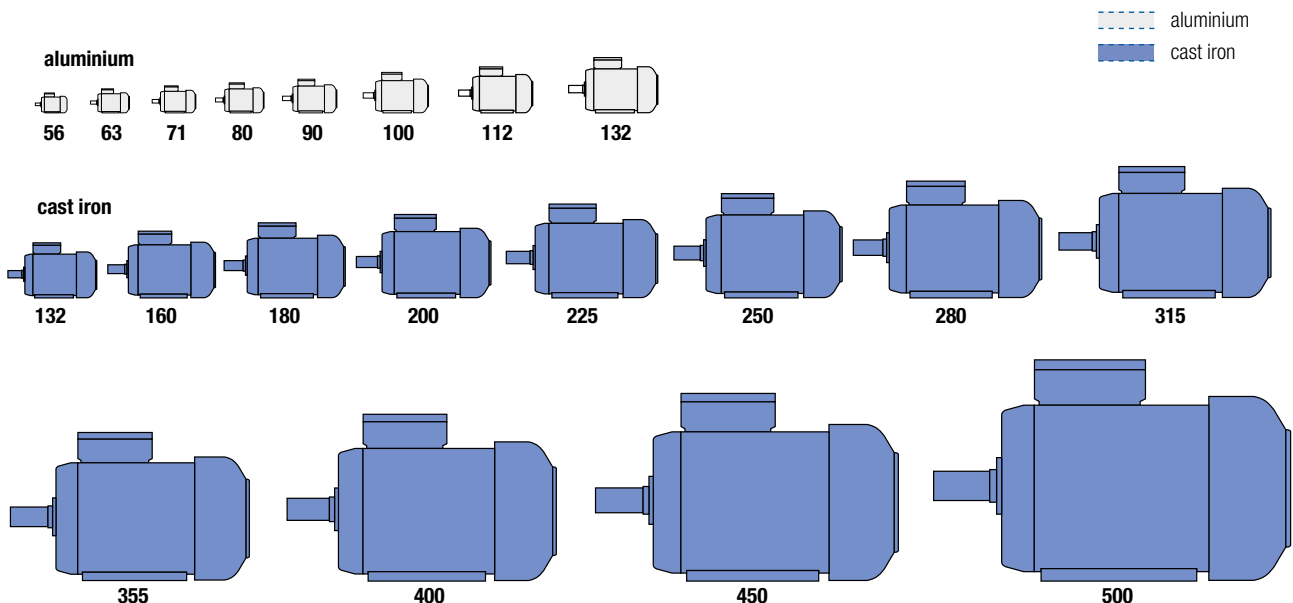
In motors series 3SIE, Sh, Sg of frame size 80, 90 and 100 mm: on request end shields may be made of cast iron.

In motors 3SIE of frame size 132, 160 and 180 mm – feet may be integrated with housing (motors with cast iron housing).

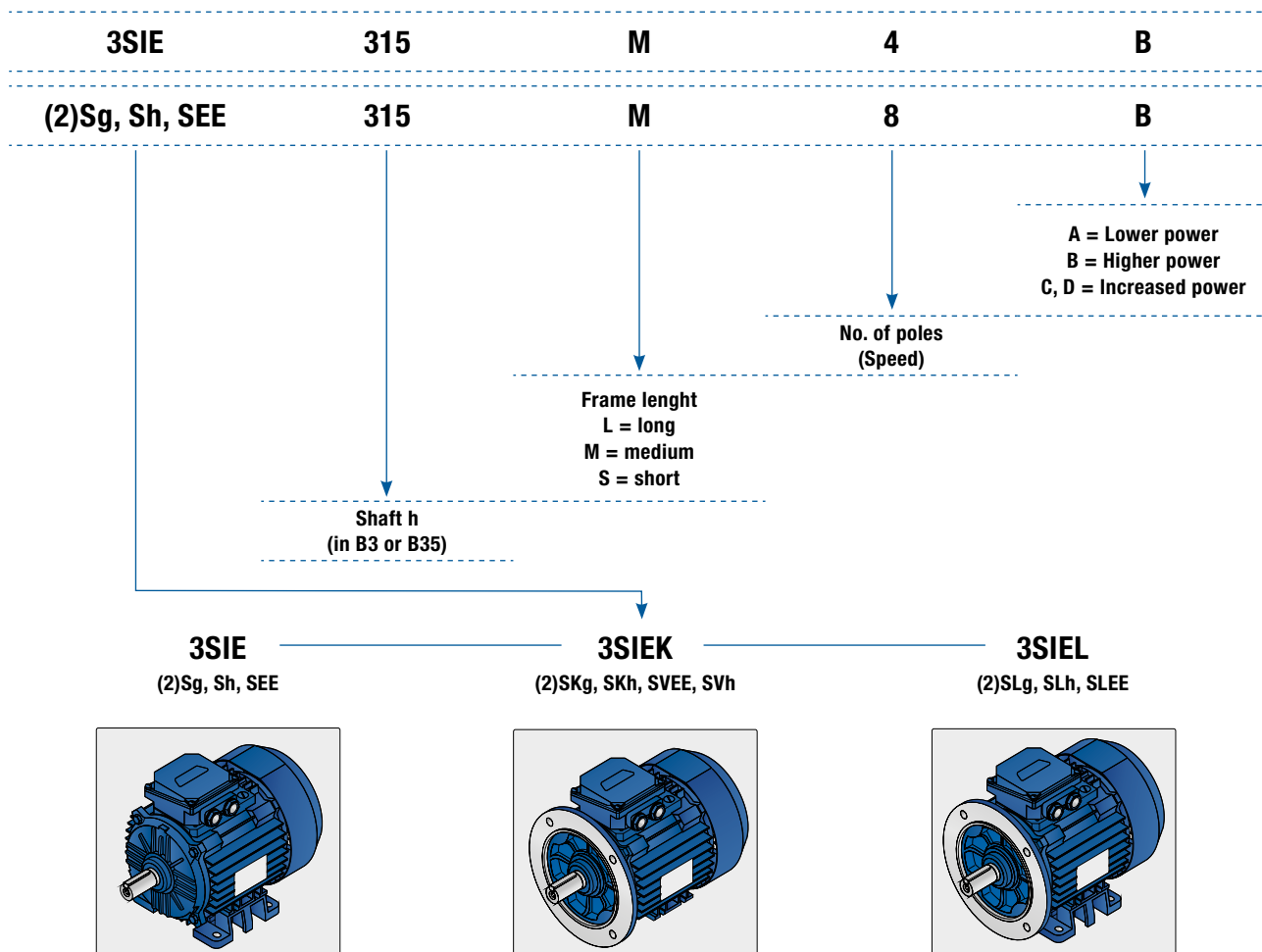
In motors 3SIE of frame size 90 and 100 flanges are made of cast iron.

In motors 3SIE of frame size 90 to 112 cast iron motor housing and feet are possible.

In motors 2Sg series from frame 200 to 315 cast iron feet can be only integrated.



Nomenclature



Frequency converter operation (VSD)

Electronic speed control is carried out using a frequency converter (VSD) that adjusts the speed of the motor – and therefore the torque produced – based on the energy needed.

Motor size	Sh56-80 3SIE80	(Sg,Sh)90-180 3SIE90-180	2Sg200-280 3SIE200-280	2Sg315 (3)SIE315	(Sg,Sh)355-500 3SIE355
In standard designed for frequency converter supply	Yes	Yes	Yes	No (available on request)	No (available on request)
Permissible output parameters of the frequency converter (measured on motor terminals – including supply cable between motor and frequency converter):	$U_{peak} \leq 1,35kV$ $t_r \geq 0,8\mu s$				$U_{peak} < 1,5kV$ $t_r > 0,5\mu s$
Insulated bearing or bearing chamber on NDE-side	N/A	N/A	Available on request	Yes (in motors designed for frequency converter supply with rated power >100kW)	
Speed control range	Permissible speed control range will depend on the application (load curve) and parameters of the frequency converter thus it should be established individually.				

Totally Enclosed Motors IP 55 f=50Hz RPM=3000 min⁻¹

Item	Type	Rated output		Rated speed n _N [min ⁻¹]	Rated torque T _N [Nm]	Efficiency			Power factor			Locked rotor torque ratio T _L /T _N [-]	Locked rotor current ratio I _L /I _N [-]	Breakdown torque ratio T _B /T _N [-]	Moment of inertia J [kgm ²]	Weight (MBS) [kg]	
		P _N [kW]	[HP]			50%	75%	100%	cos φ _N [-]	I _N at rated voltage [A]							
2p=2 n_s=3000 rpm																	
1	Sh56-2A	0,09	0,12	2820	0,3	47,5	55,9	62,0	0,63	0,6	0,37	0,35	2,5	3,4	2,7	0,000076	2,9
2	2SIE56-2B	0,12	0,17	2800	0,41	59,1	64,7	65,0	0,73	0,7	0,42	0,4	2,0	3,0	2,0	0,000095	3,2
3	2SIE63-2A	0,18	0,25	2760	0,62	61,9	66,2	65,0	0,80	0,85	0,53	0,5	2,1	3,4	2,1	0,000175	3,5
4	2SIE63-2B	0,25	0,33	2780	0,85	68,9	69,8	70,0	0,79	1,1	0,7	0,65	2,4	3,3	2,5	0,000235	4,1
5	2SIE71-2A	0,37	0,5	2840	1,24	66,0	72,0	73,0	0,73	1,75	1,1	1	3,2	5,0	3,2	0,00046	5,6
6	2SIE71-2B	0,55	0,75	2820	1,86	70,0	74,0	75,0	0,73	2,5	1,55	1,45	3,0	4,7	3,0	0,00053	6,3
7	3SIE80-2A	0,75	1	2890	2,48	74,6	79,0	82,0	0,79	2,95	1,8	1,7	4,0	7,5	4,2	0,001	10,6
8	3SIE80-2B	1,1	1,5	2890	3,63	73,7	83,0	83,0	0,77	4,3	2,65	2,5	5,1	9,5	4,8	0,00142	11,9
9	3SIE90S2	1,5	2	2925	4,9	82,7	84,4	84,2	0,85	5,3	3,2	3	2,4	7,3	3,5	0,0014	16,5
10	3SIE90L2	2,2	3	2910	7,2	85,4	86,5	85,9	0,86	7,5	4,5	4,3	2,7	8,0	4,0	0,0019	18,5
11	3SIE100L2	3	4	2915	9,8	86,2	87,7	87,1	0,85	10,2	6,2	5,8	3,1	8,5	4,1	0,0039	25
12	3SIE112M2	4	5,5	2925	13,1	88,1	88,8	88,1	0,89	12,8	7,7	7,4	2,3	8,4	3,2	0,0075	35,5
13	3SIE132S2A	5,5	7,5	2940	17,9	87,7	89,2	89,2	0,89	17,4	10,5	10	2,6	8,2	3,6	0,014	55
14	3SIE132S2B	7,5	10	2940	24,4	89,0	90,3	90,1	0,90	23,2	14,1	13,3	2,8	8,5	3,8	0,017	64
15	3SIE160M2A	11	15	2945	35,7	89,7	91,0	91,2	0,90	33,6	20,4	19,3	2,1	7,9	3,0	0,048	123
16	3SIE160M2B	15	20	2945	48,6	89,8	91,9	91,9	0,90	45,5	27,6	26,2	2,4	8,0	3,4	0,059	132
17	3SIE160L2	18,5	25	2940	60,1	92,2	92,8	92,4	0,90	55,8	33,8	32,1	2,3	7,7	3,0	0,072	139
18	3SIE180M2	22	30	2955	71,1	91,1	92,4	92,7	0,90	66,2	40,1	38,1	3,2	9,2	3,7	0,095	190
19	3SIE200L2A	30	40	2965	97	93,1	93,7	93,5	0,90	89	54	51	2,4	7,0	2,8	0,19	275
20	3SIE200L2B	37	50	2955	120	93,5	93,8	93,7	0,90	110	67	63	2,2	6,3	2,6	0,2	295
21	3SIE225M2	45	60	2972	145	94,2	94,6	94,2	0,88	136	82	78	2,0	6,7	2,6	0,26	385
22	3SIE250M2	55	75	2969	177	94,5	94,8	94,5	0,91	161	97	92	2,2	6,9	2,9	0,42	495
23	3SIE280S2	75	100	2978	241	94,2	94,8	94,7	0,91	218	132	126	1,8	6,7	2,9	0,76	660
24	3SIE280M2	90	125	2979	289	94,5	95,1	95,0	0,91	261	158	150	1,8	7,3	3,1	0,95	690
25	3SIE315S2	110	150	2978	353	95,4	95,6	95,2	0,92	315	191	181	1,9	6,9	2,9	0,98	865
26	3SIE315M2A	132	175	2977	423	95,8	95,9	95,6	0,92	377	228	217	2,0	7,3	2,7	1,28	970
27	3SIE315M2B	160	220	2978	513	95,9	96,1	95,8	0,92	456	276	262	2,2	8,2	3,1	1,57	1118
28	3SIE315M2C	200	270	2980	641	95,9	96,1	95,8	0,93		341	324	2,3	8,1	3,1	1,74	1185
29	3SIE355ML2A	250	355	2982	801	94,8	95,7	95,8	0,91		436	414	1,9	6,8	2,8	2,8	1620
30	3SIE355ML2B	315	425	2982	1009	95,5	96,0	96,0	0,91		548	520	2,0	7,3	2,9	3,0	1700
31	3SIE355H2D	355	475	2985	1136	95,2	96,0	96,1	0,91		617	586	1,8	7,5	2,8	4,9	2160
32	3SIE355H2E	400	540	2985	1280	95,3	96,0	96,1	0,91			660	1,6	8,0	2,8	5,7	2200
33	3SIE400H2C	450	600	2985	1440	95,3	96,1	96,2	0,91			742	1,3	6,6	2,6	6,7	2800
34	3SIE400H2D	500	680	2985	1600	95,3	96,1	96,2	0,91			824	1,4	7,2	2,8	7,7	2880
35	3SIE400H2E	560	750	2985	1789	95,3	96,1	96,2	0,90			934	1,5	8,0	2,9	8,7	3100
36	3SIE400H2F	630	850	2985	2016	95,4	96,2	96,3	0,90			1049	1,5	7,9	2,8	8,7	3100
37	3SIE450H2B	710	950	2990	2268	95,9	96,4	96,4	0,88			700 ¹	0,6	6,2	2,7	17,2	4160
38	3SIE450H2C	800	1080	2991	2554	95,9	96,4	96,4	0,88			789 ¹	0,7	6,8	2,7	18,4	4380
39	3SIE450H2D	900	1200	2990	2875	95,9	96,4	96,4	0,88			888 ¹	0,7	6,6	2,7	19,0	4480

¹ – at rated voltage 690V

Totally Enclosed Motors IP 55 $f=50\text{Hz}$ RPM=1500 min⁻¹

Item	Type	Rated output		Rated speed n_N	Rated torque T_N	Efficiency			Power factor $\cos \varphi_N$	Full load current			Locked rotor torque ratio T_L/T_N	Locked rotor current ratio I_L/I_N	Breakdown torque ratio T_B/T_N	Moment of Inertia J	Weight (MBS) [kg]
		P_N [kW]	P_N [HP]			50%	75%	100%		I_N at rated voltage [A]	230V	380V					
2p=4 $n_s=1500$ rpm																	
1	Sh56-4A	0,06	0,08	1400	0,41	34,5	43,7	50,0	0,58	0,52	0,31	0,3	2,0	2,8	2,3	0,000145	2,6
2	Sh56-4B	0,09	0,12	1380	0,62	48,6	56,2	60,0	0,61	0,6	0,37	0,35	2,0	2,4	2,1	0,000186	2,8
3	2SIE63-4A	0,12	0,17	1380	0,83	49,6	57,1	60,0	0,63	0,8	0,5	0,45	1,9	2,6	2,0	0,00024	3,5
4	2SIE63-4B	0,18	0,25	1380	1,25	54,2	60,6	65,0	0,65	1,1	0,7	0,65	2,0	2,6	2,0	0,00031	4,1
5	2SIE71-4A	0,25	0,33	1390	1,72	61,0	67,0	69,0	0,60	1,55	0,95	0,9	2,7	3,3	2,8	0,00072	5,8
6	2SIE71-4B	0,37	0,55	1400	2,52	68,0	72,0	73,0	0,65	2	1,2	1,15	2,5	3,5	2,5	0,00085	7,2
7	2SIE80-4A	0,55	0,75	1400	3,75	71,0	75,4	77,1	0,61	2,95	1,8	1,7	3,1	4,1	3,1	0,0016	8,4
8	3SIE80-4B	0,75	1	1430	5	80,1	81,7	82,5	0,64	3,6	2,2	2,1	4,1	6,3	3,9	0,00265	11
9	3SIE90S4	1,1	1,5	1450	7,2	81,8	84,0	84,1	0,77	4,3	2,6	2,5	2,3	7,2	3,5	0,0036	18
10	3SIE90L4	1,5	2	1450	9,9	83,9	85,5	85,3	0,78	5,7	3,4	3,3	2,5	7,4	3,4	0,004	21
11	3SIE100L4A	2,2	3	1465	14,3	84,4	86,4	86,7	0,80	8	4,8	4,6	2,5	7,1	3,3	0,0076	27,5
12	3SIE100L4B	3	4	1465	19,6	85,8	87,7	87,7	0,79	10,9	6,6	6,3	2,5	7,4	3,5	0,0086	31
13	3SIE112M4	4	5,5	1460	26,2	88,5	89,0	88,6	0,80	14,2	8,6	8,1	2,1	7,0	3,0	0,0115	41,5
14	3SIE132S4	5,5	7,5	1465	35,9	88,6	89,8	89,6	0,85	18,1	11	10,4	2,5	8,5	3,4	0,036	63
15	3SIE132M4	7,5	10	1465	48,9	89,7	90,6	90,4	0,83	25,1	15,2	14,4	2,6	8,8	3,5	0,042	67
16	3SIE160M4	11	15	1470	71,5	90,9	91,7	91,4	0,83	36,4	22	20,9	2,6	7,3	3,0	0,088	136
17	3SIE160L4	15	20	1475	97,1	92,0	92,5	92,1	0,83	49,3	29,8	28,3	2,7	7,9	3,2	0,104	154
18	3SIE180M4	18,5	25	1475	119,8	92,1	92,8	92,6	0,85	59	35,7	33,9	2,9	8,3	3,5	0,162	190
19	3SIE180L4	22	30	1475	142,4	91,4	92,8	93,0	0,83	71,5	42,3	41,1	3,2	8,5	3,6	0,185	200
20	3SIE200L4	30	40	1477	194	94,2	94,3	93,8	0,89	90	55	52	2,1	6,4	2,6	0,38	329
21	3SIE225S4	37	50	1485	238	94,1	94,4	94,0	0,87	114	69	65	2,0	6,9	2,8	0,51	373
22	3SIE225M4	45	60	1483	290	94,4	94,8	94,3	0,88	136	82	78	2,1	7,1	2,7	0,59	410
23	3SIE250M4	55	75	1487	353	94,0	94,8	94,7	0,90	162	98	93	2,5	7,6	2,9	1	520
24	3SIE280S4	75	100	1488	481	93,9	95,0	95,0	0,91	218	132	125	2,0	6,8	2,5	1,37	710
25	3SIE280M4	90	125	1491	576	94,9	95,5	95,4	0,89	266	161	153	2,6	8,4	3,0	1,8	761
26	3SIE315S4	110	150	1488	706	95,1	95,5	95,4	0,90	322	195	185	2,0	6,6	2,4	2,25	920
27	3SIE315M4A	132	175	1489	847	95,6	95,9	95,6	0,91	381	231	219	2,3	7,9	2,8	2,59	1030
28	3SIE315M4B	160	220	1490	1026	95,9	96,1	95,8	0,90	466	282	268	2,4	8,5	3,1	2,8	1130
29	3SIE315M4C	200	270	1488	1284	95,8	96,2	96,2	0,90		351	333	2,4	8,1	2,9	3,46	1205
30	3SIE355ML4A	250	355	1489	1603	95,8	96,1	96,0	0,89		444	422	2,0	7,4	2,3	5,3	1700
31	3SIE355ML4B	315	425	1489	2020	95,9	96,1	96,0	0,89		560	532	2,2	7,2	2,5	6,4	1830
32	3SIE355H4D	355	475	1488	2278	95,8	96,1	96,0	0,88		639	607	1,6	6,5	2,2	8,2	2200
33	3SIE355H4E	400	540	1487	2569	95,8	96,1	96,0	0,88			683	1,8	7,0	2,3	9,1	2450
34	3SIE400H4C	450	600	1490	2884	95,5	96,1	96,0	0,87			778	1,6	7,6	2,6	12,3	2920
35	3SIE400H4D	500	680	1491	3203	95,5	96,1	96,0	0,87			864	1,6	7,5	2,6	13,6	3100
36	3SIE400H4E	560	750	1491	3587	95,5	96,1	96,0	0,87			968	1,7	7,6	2,6	15,0	3250
37	3SIE400H4F	600	810	1491	3843	95,5	96,0	96,0	0,87			1037	1,9	8,5	2,9	17,2	3500
38	3SIE450H4B	710	950	1492	4545	96,0	96,5	96,5	0,87			708 ¹	1,6	7,0	2,5	27,1	4000
39	3SIE450H4C	800	1070	1493	5117	96,0	96,5	96,5	0,88			788 ¹	1,6	6,8	2,6	31,6	4400
40	3SIE450H4D	900	1200	1493	5757	96,0	96,5	96,5	0,88			887 ¹	1,5	7,3	2,5	35,4	4620
41	3SIE450H4E	1000	1350	1493	6397	96,0	96,5	96,5	0,88			985 ¹	1,5	7,3	2,5	38,0	4700
42	Sh500H4Cs	1120	1500	1495	7155	96,7	97,3	97,4	0,87			1106 ¹	0,8	6,9	2,5	58,4	6100
43	Sh500H4Ds	1250	1680	1495	7985	96,7	97,3	97,5	0,87			1233 ¹	0,8	7,5	2,7	65,2	6600
44	Sh500H4Es	1400	1880	1494	8949	97,0	97,5	97,5	0,88			1365 ¹	0,7	6,4	2,4	66,5	6900

¹ – at rated voltage 690V

Totally Enclosed Motors IP 55 f=50Hz RPM=1000 min⁻¹

Item	Type	Rated output		Rated speed	Rated torque	Efficiency			Power factor	Full load current			Locked rotor torque ratio	Locked rotor current ratio	Breakdown torque ratio	Moment of Inertia	Weight (IMB3)
		P _N	n _N			T _N	η _N [%]	cos φ _N		I _N at rated voltage [A]	T _L /T _N	I _L /I _N					
		[kW]	[HP]	[min ⁻¹]	[Nm]	50%	75%	100%	[-]	230V	380V	400V	[-]	[-]	[-]	[kgm ²]	[kg]
		2p=6 n_s=1000 rpm															
1	Sh56-6B	0,06	0,08	860	0,66	20,0	27,2	32,0	0,65	0,73	0,44	0,42	1,4	1,7	1,5	0,00019	2,8
2	Sh63-6A	0,09	0,12	870	0,99	39,7	46,3	49,0	0,53	0,9	0,53	0,5	1,5	2,0	1,6	0,00024	3,5
3	2SIE63-6B	0,12	0,17	920	1,25	52,0	58,7	60,0	0,52	0,95	0,6	0,55	2,1	2,8	2,5	0,00077	5,9
4	2SIE71-6A	0,18	0,25	900	1,91	44,9	53,1	57,0	0,65	1,2	0,75	0,7	2,3	2,6	2,3	0,00074	5
5	2SIE71-6B	0,25	0,33	880	2,71	61,3	65,6	65,0	0,69	1,4	0,85	0,8	2,3	2,8	2,3	0,00122	6,2
6	2SIE80-6A	0,37	0,5	920	3,84	70,3	73,8	73,0	0,69	1,9	1,15	1,1	2,2	3,3	2,0	0,00207	8,6
7	2SIE80-6B	0,55	0,75	900	5,83	72,5	74,7	73,1	0,78	2,4	1,5	1,4	2,0	3,6	2,2	0,00293	10,8
8	3SIE90S6	0,75	1	940	7,6	72,2	79,3	78,9	0,70	3,4	2,1	2	1,7	4,3	2,4	0,0032	16
9	3SIE90L6	1,1	1,5	940	11,2	79,9	81,9	81,0	0,70	4,9	2,9	2,8	2,1	4,5	2,6	0,009	19
10	3SIE100L6	1,5	2	960	14,9	81,1	82,8	82,5	0,74	6,2	3,7	3,5	2,1	5,9	2,9	0,01	23,5
11	3SIE112M6	2,2	3	965	21,8	83,9	84,9	84,3	0,76	8,6	5,2	5	2,1	5,9	2,6	0,0177	34
12	3SIE132S6	3	4	965	29,7	85,4	86,4	85,6	0,81	10,9	6,6	6,2	2,2	6,6	2,9	0,044	54
13	3SIE132M6A	4	5,5	965	39,6	89,1	89,2	88,0	0,81	14,1	8,5	8,1	2,2	6,5	3,0	0,0579	62
14	3SIE132M6B	5,5	7,5	960	54,7	88,9	89,1	88,0	0,81	19,4	11,7	11,1	2,4	6,7	3,1	0,0637	66
15	3SIE160M6	7,5	10	970	73,8	89,0	89,9	89,5	0,82	25,7	15,5	14,8	2,3	6,6	2,8	0,102	134
16	3SIE160L6	11	15	970	108,3	91,4	91,4	90,3	0,82	37,3	22,6	21,4	2,2	7,0	3,0	0,123	146
17	3SIE180L6	15	20	975	146,9	90,0	91,3	91,2	0,81	51	30,9	29,3	3,3	7,3	2,8	0,276	198
18	3SIE200L6A	18,5	25	988	179	91,3	92,0	91,7	0,81	63	38	36	2,0	5,8	2,4	0,5	285
19	3SIE200L6B	22	30	987	213	91,7	92,2	92,2	0,82	73	44	42	2,0	5,7	2,1	0,64	309
20	3SIE225M6	30	40	989	290	92,3	92,9	92,9	0,83	98	59	56	1,9	6,4	2,3	0,89	392
21	3SIE250M6	37	50	991	357	92,2	93,4	93,3	0,82	121	73	70	2,0	6,7	2,6	1,23	440
22	3SIE280S6	45	60	993	433	92,9	93,8	93,7	0,81	149	90	86	2,3	7,3	2,6	1,7	635
23	3SIE280M6	55	75	992	529	93,8	94,4	94,1	0,82	179	108	103	2,3	6,8	2,6	1,9	695
24	3SIE315S6	75	100	992	722	94,6	95,0	94,7	0,82	242	147	139	2,4	7,1	2,6	2,4	900
25	3SIE315M6A	90	125	993	866	95,1	95,4	95,1	0,82	290	175	167	2,6	7,6	2,7	2,93	965
26	3SIE315M6B	110	150	992	1059	95,2	95,6	95,2	0,82	354	214	203	2,8	7,5	2,8	3,46	1110
27	3SIE315M6C	132	175	992	1271	95,4	95,8	95,4	0,83	418	253	241	2,5	7,0	2,5	4,21	1230
28	3SIE315M6D	160	220	992	1540	95,2	95,7	95,6	0,78	539	326	310	3,3	8,0	2,7	4,36	1235
29	3SIE355ML6A	200	270	989	1931	95,3	95,8	95,8	0,85		373	350	2,0	7,1	2,3	7,2	1740
30	3SIE355ML6B	250	355	990	2412	95,4	95,8	95,8	0,85		466	438	2,1	7,2	2,4	8,6	1950
31	3SIE355H6C	315	425	991	3036	95,5	95,8	95,8	0,85		588	558	2,0	7,1	2,2	12,7	2390
32	3SIE355H6D	355	475	990	3425	95,5	95,8	95,8	0,85		662	627	1,9	7,3	2,2	14,3	2550
33	3SIE355H6E	400	540	992	3851	95,5	95,8	95,8	0,85		709	674	2,2	8,0	2,4	15,3	2600
34	3SIE400H6C	450	600	993	4328	95,0	95,8	95,8	0,82		827	782	1,5	7,5	2,5	19,4	3250
35	3SIE400H6D	500	680	994	4804	95,0	95,8	95,8	0,82		919	864	1,7	8,0	2,6	22,0	3450
36	3SIE450H6B	560	750	994	5380	95,4	95,9	95,9	0,86		1031	966	1,2	6,8	2,6	40,6	4300
37	3SIE450H6C	630	850	994	6053	95,5	96,0	96,0	0,87		1137	1067	1,3	7,0	2,6	45,0	4500
38	3SIE450H6D	710	950	994	6821	95,5	96,0	96,1	0,87		1269	1189	1,4	7,4	2,6	50,0	4890
39	3SIE500H6A	800	1080	995	7678	95,5	96,2	96,3	0,86		1401	1311	0,9	5,8	2,4	61,5	6200
40	3SIE500H6B	900	1200	995	8638	95,6	96,2	96,3	0,86		1533	1443	1,0	6,0	2,2	71,0	6550
41	3SIE500H6C	1000	1350	995	9598	95,7	96,3	96,4	0,86		1665	1575	1,0	6,4	2,5	75,0	6700
42	Sh500H6Ds	1120	1500	996	10739	96,1	96,8	97,0	0,85		1807	1717	1,1	7,0	2,6	80	7130
43	Sh500H6Es	1250	1680	996	11985	96,2	96,9	97,0	0,85		1949	1859	1,1	7,1	2,6	84,9	7460

¹ – at rated voltage 690V

Totally Enclosed Motors IP 55 $f=50\text{Hz}$ RPM=750 min^{-1}

Item	Type	Rated output		Rated speed	Rated torque	Efficiency			Power factor	Full load current			Locked rotor torque ratio	Locked rotor current ratio	Breakdown torque ratio	Moment of Inertia	Weight (IMB3)
		P_N	P_N			η_N	η_N	η_N		$\cos \varphi_N$	I_N at rated voltage [A]						
		[kW]	[HP]	$[\text{min}^{-1}]$	[Nm]	50%	75%	100%	[-]	230V	380V	400V	T_L/T_N	I_L/I_N	T_B/T_N	J	[kg]
2p=8 $n_s=750$ rpm																	
1	Sh63-8A	0,04	0,06	670	0,57	11,3	16,2	30,0	0,56	0,9	0,53	0,5	1,8	1,3	1,7	0,00024	3,5
2	Sh63-8B	0,06	0,08	660	0,86	10,7	15,3	28,0	0,48	1,1	0,7	0,65	1,4	1,4	1,4	0,000307	4,1
3	Sh71-8A	0,09	0,12	680	1,26	24,1	30,6	35,0	0,50	1,3	0,8	0,75	2,2	1,6	2,2	0,000736	4,7
4	2SIE71-8B	0,12	0,17	670	1,71	31,8	40,2	45,0	0,59	1,15	0,7	0,65	2,2	1,9	2,0	0,003882	5,6
5	2SIE80-8A	0,18	0,25	710	2,42	47,4	55,7	58,7	0,55	1,4	0,85	0,8	2,2	2,9	2,6	0,002933	11
6	2SIE80-8B	0,25	0,33	700	3,41	56,1	63,2	64,1	0,56	1,75	1,1	1	2,2	3,0	2,5	0,00345	12,7
7	2SIE90S8	0,37	0,5	700	5	43,0	54,0	56,1	0,56	3,0	1,8	1,7	1,3	3,0	2,1	0,0021	13
8	2SIE90L8	0,55	0,75	700	7,5	52,8	61,2	61,7	0,62	3,6	2,2	2,1	1,4	3,1	2,0	0,0030	16
9	3SIE100L8A	0,75	1	720	9,9	69,5	74,3	75,0	0,63	4	2,4	2,3	1,4	4,0	2,4	0,0076	19,5
10	3SIE100L8B	1,1	1,5	710	14,8	76,3	78,7	77,7	0,66	5,4	3,3	3,1	1,4	3,7	2,0	0,0122	27
11	3SIE112M8	1,5	2	700	20,5	79,2	80,8	79,7	0,70	6,7	4,1	3,9	1,7	4,6	2,7	0,0168	33,5
12	3SIE132S8	2,2	3	710	29,6	81,2	82,6	81,9	0,73	9,2	5,6	5,3	2,2	5,5	2,9	0,0361	46
13	3SIE132M8	3	4	710	40,4	82,8	84,2	83,5	0,75	12	7,3	6,9	2,3	5,7	2,9	0,0489	54
14	3SIE160M8A	4	5,5	710	53,8	85,7	86,3	84,8	0,73	16,2	9,8	9,3	1,6	4,6	2,3	0,057	106
15	3SIE160M8B	5,5	7,5	710	74	86,4	87,2	86,2	0,73	21,9	13,3	12,6	1,8	5,0	2,6	0,078	118
16	3SIE160L8	7,5	10	710	100,9	87,9	88,5	87,3	0,77	28	17	16,1	2,0	5,4	2,6	0,102	132
17	3SIE180L8	11	15	730	143,9	87,7	89,2	89,0	0,76	41	24,8	23,8	2,0	5,5	2,4	0,213	165
18	3SIE200L8	15	20	730	196	89,3	90,2	89,6	0,76	55,3	33,5	31,8	2,0	6,1	2,7	0,5	200
19	3SIE225S8	18,5	25	737	240	89,5	90,4	90,1	0,77	67	41	38,5	2,4	6,0	2,3	0,58	315
20	3SIE225M8	22	30	737	285	90,7	91,0	90,6	0,79	77	47	44	2,4	6,0	2,0	0,68	350
21	3SIE250M8	30	40	739	388	90,8	91,6	91,3	0,80	103	62	59	2,8	6,6	2,5	1,27	460
22	3SIE280S8	37	50	738	479	91,4	92,2	92,0	0,81	125	75	72	2,3	5,8	2,2	1,47	600
23	3SIE280M8	45	60	738	582	92,4	92,8	92,2	0,82	149	90	86	2,3	6,0	2,1	1,8	640
24	3SIE315S8	55	75	740	710	91,4	92,5	92,5	0,80	187	113	107	1,9	6,3	2,6	1,9	850
25	3SIE315M8A	75	100	739	969	93,2	93,6	93,1	0,80	253	153	145	2,1	6,6	2,8	2,6	960
26	3SIE315M8B	90	125	739	1163	93,3	93,7	93,4	0,80	302	183	174	2,2	7,1	3,1	3,3	1090
27	3SIE315M8C	110	150	740	1420	93,8	94,0	93,7	0,78	378	229	217	2,4	7,3	2,8	4,1	1230
28	3SIE315M8D	132	175	739	1706	93,4	94,1	94,0	0,80	441	267	253	2,2	6,9	2,9	4,2	1245
29	3SIE355ML8A	160	215	739	2068	94,4	94,8	94,3	0,80		322	306	1,4	5,8	2,0	7,0	1680
30	3SIE355ML8B	200	270	740	2581	94,7	95,1	94,6	0,80		402	382	1,7	6,2	2,1	8,3	1750
31	3SIE355H8D	250	340	742	3218	94,2	94,8	94,8	0,78		514	488	1,3	6,0	2,0	12,9	2440
32	3SIE355H8E	315	430	742	4054	94,4	95,0	94,8	0,79		639	607	1,3	6,0	2,0	16,0	2590
33	3SIE400H8D	355	480	742	4569	94,5	95,1	95,0	0,77		701	1,2	5,8	2,0	18,8	3200	
34	3SIE400H8E	400	540	742	5148	94,6	95,2	95,1	0,77		788	1,2	5,9	2,0	21,0	3350	
35	3SIE450H8B	450	600	744	5776	94,3	95,0	95,1	0,77		514 ¹	0,8	5,1	2,1	45,0	4400	
36	3SIE450H8C	500	680	744	6418	94,5	95,2	95,2	0,77		571 ¹	0,8	5,0	2,0	49,0	4600	
37	3SIE450H8D	560	750	744	7198	94,6	95,2	95,2	0,78		631 ¹	0,8	4,9	1,9	53,0	4770	
38	3SIE450H8E	630	850	744	8087	94,8	95,4	95,3	0,78		709 ¹	0,8	4,8	1,9	57,0	4980	
39	3SIE500H8B	710	950	746	9089	94,8	95,1	95,3	0,80		779 ¹	1,1	6,3	2,5	92,4	6680	
40	3SIE500H8C	800	1080	746	10241	94,8	95,1	95,3	0,80		878 ¹	1,1	6,3	2,5	95,8	6800	
41	3SIE500H8D	900	1200	746	11522	94,8	95,1	95,3	0,80		988 ¹	1,0	6,0	2,4	108	7240	
42	3SIE500H8E	1000	1350	746	12802	94,8	95,1	95,3	0,80		1098 ¹	1,1	6,5	2,5	118	7570	

¹ – at rated voltage 690V

Totally Enclosed Motors IP 55 f=50Hz RPM=600 min⁻¹

Item	Type	Rated output		Rated speed	Rated torque	Efficiency			Power factor	Full load current			Locked rotor torque ratio	Locked rotor current ratio	Breakdown torque ratio	Moment of Inertia	Weight (IMB3)
		P _N	n _N			T _N	η _N [%]	cos φ _N		I _N at rated voltage [A]	T _L /T _N	I _L /I _N					
		[kW]	[HP]	[min ⁻¹]	[Nm]	50%	75%	100%	[-]	230V	380V	400V	[-]	[-]	[-]	[kgm ²]	[kg]
2p=10 n_s=600 rpm																	
1	Sh90S-10	0,25	0,34	560	4,3	44,9	51,3	55,6	0,51	2,2	1,3	1,3	1,8	2,2	2,0	0,0028	17
2	Sh90L-10	0,37	0,5	565	6,3	50,7	58,9	63,4	0,56	2,6	1,6	1,5	1,9	2,3	2,1	0,003	20
3	Sg100L-10A	0,55	0,75	570	9,2	39,8	49,2	55	0,44	5,7	3,5	3,3	2,7	3,1	2,7	0,009	24
4	Sg100L-10B	0,75	1	560	12,8	44,6	54,1	56,8	0,54	6,1	3,7	3,5	2,0	3,0	2,1	0,01	24,5
5	Sg112M-10	0,75	1	550	13	42,6	52,1	71,3	0,65	4,1	2,5	2,3	2,5	3,1	2,5	0,0177	33
6	Sg112M-10A	1,1	1,5	560	18,7	69,2	72,6	72,2	0,64	6	3,4	3,4	1,3	3,3	1,8	0,018	32
7	Sg132S-10	1,1	1,5	565	18,6	53,4	68,2	77	0,65	5,5	3,3	3,2	1,2	3,5	1,6	0,025	52
8	Sg132S-10A	1,5	2	565	25,4	53,2	69,8	74	0,6	8,5	5,1	4,9	1,3	3,7	2,4	0,032	66
9	Sg132S-10B	2,2	3	560	37,5	43,1	62,9	75	0,58	12,7	7,7	7,3	1,4	3,9	2,5	0,04	72
10	Sg160M-10	4	5,5	570	67	71,1	74,4	75,3	0,56	23,8	14,4	13,7	1,7	4,1	2,7	0,096	125
11	Sg160L-10	5,5	7,5	575	91,3	76,1	79,9	80,9	0,56	30,5	18,4	17,5	1,9	4,8	2,6	0,096	125
12	Sg180L-10	7,5	10	585	122,4	81,9	85,1	86	0,58	37,7	22,8	21,7	2,3	5,1	2,4	0,22	164
13	2Sg200L10A	7,5	10	580	123	82,5	84,0	85,0	0,68	32,5	19,7	18,7	1,7	3,5	2,1	0,4	240
14	2Sg200L10B	11	15	590	178	84,7	86,7	87,5	0,68	47	28,1	26,7	3,2	5,9	2,4	0,47	255
15	2Sg225S10	13	18	592	210	87,5	89,3	90,5	0,67	54	32,5	31	1,8	3,8	2,0	0,6	280
16	2Sg225M10	15	20	590	243	86,0	88,0	89,0	0,67	63	38	36,5	2,8	5,4	2,0	0,76	315
17	2Sg250M10	22	30	592	355	87,5	89,6	90,0	0,70	88	53	50	3,0	5,8	2,0	1,27	430
18	2Sg280S10A	30	40	586	489	85,3	87,3	88,8	0,71	119	72	69	2,0	4,5	1,7	1,35	525
19	2Sg280S10B	37	50	583	606	87,0	90,0	91,0	0,75	136	82	78	1,9	4,5	1,5	1,61	565
20	2Sg280M10	45	60	587	732	88,0	90,5	91,6	0,76	162	98	93	2,0	4,5	1,6	2,03	630
21	2Sg315S10z	55	75	583	901	88,0	90,5	91,5	0,75	201	122	116	1,7	4,7	1,9	2,86	840
22	2Sg315M10	75	100	583	1229	88,0	90,5	91,5	0,75	274	166	158	1,8	4,9	1,5	3,01	895
23	Sg355S10A	90	125	592	1452	92,2	93,0	93,0	0,79		185	176	1,3	5,7	2,1	8,2	1250
24	Sg355S10B	110	150	592	1775	92,5	93,2	93,2	0,79		227	216	1,3	5,8	2,3	10,3	1390
25	Sh355H10As	132	180	593	2126	92,6	93,4	93,3	0,76		283	269	1,3	5,5	2,0	11	2080
26	Sh355H10Bs	160	220	592	2581	93,1	93,6	93,5	0,78		334	317	1,3	5,3	1,9	13	2220
27	Sh355H10Cs	200	270	592	3226	93,3	93,8	93,7	0,77		421	400	1,3	5,4	2,0	15,5	2360
28	Sh400H10Bs	250	340	593	4026	94,3	94,6	94,6	0,80		502	477	1,1	5,6	2,4	28,5	3170
29	Sh400H10Cs	315	430	593	5073	94,3	94,6	94,6	0,80		632	601	1,1	5,7	2,4	32,2	3350
30	Sh450H10As	355	480	595	5698	94,3	94,9	94,8	0,80			392 ¹	0,8	6,0	2,1	39,0	3850
31	Sh450H10Bs	400	540	595	6420	94,5	95,0	94,9	0,81			435 ¹	0,8	5,9	2,1	45,0	4050
32	Sh450H10Cs	450	600	595	7223	94,7	95,1	95,0	0,81			483 ¹	0,8	5,8	2,0	52,0	4280
33	Sh450H10Ds	500	680	595	8025	94,5	95,1	95,1	0,80			550 ¹	0,9	6,4	2,2	57	4450
34	Sh450H10Es	560	750	595	8988	94,6	95,2	95,1	0,80			616 ¹	0,9	6,4	2,2	60	4540
35	Sh500H10Ds	630	850	594	10129	93,9	94,8	95,0	0,80			694 ¹	1,3	6,9	2,2	108	6450
36	Sh500H10Es	710	950	596	11377	94,0	94,9	95,0	0,80			782 ¹	1,3	6,8	2,2	117	6680
37	Sh500H10Fs	800	1070	596	12818	94,1	94,9	95,0	0,80			881 ¹	1,3	6,8	2,2	128	7000

¹ – at rated voltage 690V

Totally Enclosed Motors IP 55 $f=50\text{Hz}$ RPM=500 min^{-1}

Item	Type	Rated output		Rated speed	Rated torque	Efficiency			Power factor	Full load current			Locked rotor torque ratio	Locked rotor current ratio	Breakdown torque ratio	Moment of Inertia	Weight (IMB3)
		P_N	P_N			η_N	η_N	η_N		$\cos \varphi_N$	I_N at rated voltage [A]						
		[kW]	[HP]	n_N	T_N	50%	75%	100%	[-]	230V	380V	400V	T_L/T_N	I_L/I_N	T_B/T_N	J	[kg]
		2p=12			$n_s=500$ rpm												
1	Sg100L-12	0,55	0,75	450	11,7	43,8	51,4	54,4	0,53	4,8	2,9	2,8	1,3	2,3	1,5	0,009	22
2	Sg112M-12	0,75	1	475	15,1	54,3	59,8	65,3	0,47	6,1	3,7	3,5	1,5	3,0	2,5	0,0177	33
3	Sg132S-12	1,1	1,5	460	22,8	62,3	68,2	69	0,61	6,6	4	3,8	1,0	2,8	1,6	0,025	54
4	Sg132M-12	1,5	2	465	30,8	68,7	70,2	72	0,57	9,2	5,6	5,3	1,3	3,1	2,3	0,032	66
5	Sg132M-12B	2,2	3	460	45,7	68,5	69,2	70,2	0,56	14	8,5	8,1	1,2	3,0	1,8	0,04	72
6	Sg160M-12	2,2	3	470	44,7	69	73,8	75	0,51	14,4	8,7	8,3	1,4	3,4	2,4	0,072	100
7	Sg160L-12	3	4	480	59,7	69,8	75	78,5	0,51	18,8	11,4	10,8	1,5	3,7	2,5	0,096	125
8	Sg180L-12	5,5	7,5	480	109,4	68,8	70,8	73,9	0,6	31,1	18,8	17,9	1,1	2,8	1,5	0,22	170
9	2Sg200L12	9	12	490	175	75,3	80,1	81,8	0,55	50	30,5	28,5	2,7	4,3	2,5	0,47	255
10	2Sg225S12	11	15	490	214	85,0	86,0	86,0	0,63	51	31	29,3	1,7	3,5	1,7	0,58	315
11	2Sg225M12	13	18	475	261	82,2	82,5	82,5	0,59	67	41	38,5	1,7	3,5	1,7	0,68	350
12	2Sg250M12	18,5	25	490	361	84,0	86,0	87,8	0,65	81	50	47	1,7	3,5	1,8	1,27	430
13	2Sg280S12	22	30	491	428	86,9	89,2	89,6	0,61	101	61	58	2,3	4,5	1,8	1,47	535
14	2Sg280M12	30	40	490	585	85,6	88,2	89,0	0,62	136	83	78	1,8	3,5	1,8	1,8	570
15	2Sg315S12	37	50	492	718	87,5	89,9	90,4	0,58	177	107	102	2,6	4,5	1,9	2,29	730
16	2Sg315M12A	45	60	490	877	87,9	89,0	90,1	0,58	216	131	124	2,0	3,5	1,8	2,86	870
17	2Sg315M12B	55	75	490	1072	87,5	90,0	89,5	0,58	266	161	153	2,5	4,4	1,8	3,01	885
18	Sg355S12	75	100	492	1456	89,5	91,2	91,2	0,73		171	163	1,2	4,3	1,9	8,3	1250
19	Sg355S12A	90	120	493	1743	90,0	91,4	91,5	0,73		205	195	1,2	5,5	2,2	10,4	1390
20	Sg355S12B	110	150	491	2140	90,0	91,5	91,5	0,73		250	238	1,3	5,1	1,9	12,1	1570
21	Sg355M12	132	180	492	2562	90,5	91,9	92,0	0,73		299	284	1,2	4,8	1,9	13,1	1730
22	Sh450H12As	160	220	494	3093	93,1	93,8	93,8	0,76		341	324	0,8	5,6	2,3	30,0	3470
23	Sh450H12Bs	200	270	495	3859	93,1	93,8	93,8	0,76		426	405	0,9	5,7	2,3	33,7	3600
24	Sh450H12Cs	250	340	492	4853	93,1	93,8	93,8	0,76		533	506	0,8	5,0	2,1	40,0	3750
25	Sh450H12Ds	315	430	493	6102	93,3	94,0	94,0	0,77		661	628	0,8	5,1	2,3	34,7	4030
26	Sh450H12Es	355	480	494	6863	93,4	94,1	94,1	0,77		744	707	0,9	5,6	2,4	41,7	4330
27	Sh450H12Fs	400	540	494	7733	93,6	94,2	94,2	0,77		838	796	0,9	5,6	2,4	46,3	4530
28	Sh500H12Cs	450	600	494	8699	94,1	94,7	94,7	0,78		926	879	1,1	6,1	2,5	100	6090
29	Sh500H12Ds	500	680	495	9647	94,2	94,8	94,8	0,78		1027	976	1,1	6,2	2,5	112	6370
30	Sh500H12Es	560	750	495	10804	94,2	94,8	94,8	0,78		1151	1093	1,2	6,5	2,6	125	6680

Totally Enclosed Motors IP 55 $f=60\text{Hz}$ $\text{RPM}=3600 \text{ min}^{-1}$

Item	Type	Rated output		Rated speed	Rated torque	Efficiency			Power factor	Full load current			Locked rotor torque ratio	Locked rotor current ratio	Breakdown torque ratio	Moment of Inertia	Weight (IMB3)
		P_N	P_N			n_N	T_N	η_N [%]		$\cos \varphi_N$	I_N at rated voltage [A]	T_L/T_N					
		[kW]	[HP]	[min ⁻¹]	[Nm]	50%	75%	100%	[-]	230V	380V	400V	[-]	[-]	[-]	[kgm ²]	[kg]
		2p=2 $n_s=3600 \text{ rpm}$															
1	Sh56-2A	0,09	0,12	3380	0,25	48,3	56,8	63,0	0,59	0,6	0,37	0,35	3,1	4,0	3,2	0,000076	2,9
2	2SIE56-2B	0,12	0,17	3360	0,34	56,5	61,8	68,0	0,64	0,7	0,42	0,4	2,4	3,5	2,4	0,000095	3,2
3	2SIE63-2A	0,18	0,25	3310	0,52	60,9	65,1	64,0	0,81	0,85	0,53	0,5	2,5	3,9	2,5	0,000175	3,5
4	2SIE63-2B	0,25	0,33	3340	0,71	64,6	65,4	65,6	0,61	1,1	0,7	0,65	3,0	3,8	3,0	0,000235	4,1
5	2SIE71-2A	0,37	0,5	3410	1,03	65,0	71,0	72,0	0,69	1,75	1,1	1	3,0	4,8	3,0	0,00046	5,6
6	2SIE71-2B	0,55	0,75	3380	1,55	69,1	73,1	74,0	0,74	2,5	1,55	1,45	2,9	4,5	2,8	0,00053	6,3
7	3SIE80-2A	0,75	1	3470	2,06	76,0	80,5	83,6	0,76	2,95	1,8	1,7	4,9	7,5	5,1	0,001	10,6
8	3SIE80-2B	1,1	1,5	3470	3,03	74,9	84,4	84,4	0,75	4,3	2,65	2,5	4,1	9,5	4,0	0,00142	11,9
9	3SIE90S2	1,5	2	3535	4,1	82,7	85,2	85,5	0,81	5,4	3,3	3,1	2,8	9,6	3,6	0,0014	16,5
10	3SIE90L2	2,2	3	3520	6	85,5	86,6	86,5	0,84	7,6	4,6	4,4	3,2	9,4	4,8	0,0019	18,5
11	3SIE100L2	3	4	3530	8,1	87,3	88,6	88,5	0,82	10,4	6,1	6	3,5	9,8	4,8	0,0039	25
12	3SIE112M2	4	5,5	3535	10,8	88,2	89,1	88,5	0,88	12,9	7,8	7,4	2,6	9,8	3,8	0,0075	35,5
13	3SIE132S2A	5,5	7,5	3540	14,8	86,1	88,1	89,5	0,89	17,3	10,5	10,0	2,8	9,5	4,4	0,014	55
14	3SIE132S2B	7,5	10	3545	20,2	88,9	90,2	90,2	0,89	23,5	14,2	13,5	3,0	9,1	4,3	0,017	64
15	3SIE160M2A	11	15	3550	29,6	87,9	90,4	91,0	0,90	33,7	20,4	19,4	2,2	8,4	3,1	0,048	123
16	3SIE160M2B	15	20	3550	40,4	90,7	91,3	91,0	0,90	46	27,8	26,4	2,6	8,6	3,9	0,059	132
17	3SIE160L2	18,5	25	3545	49,8	90,3	91,7	91,7	0,90	56,3	34,1	32,4	2,6	9,0	3,4	0,072	139
18	3SIE180M2	22	30	3560	59	89,5	91,3	91,7	0,89	67,7	41	38,9	3,5	9,8	4,1	0,095	190
19	3SIE200L2A	30	40	3565	80	91,7	92,6	92,4	0,90	91	55	52	2,4	7,5	2,8	0,19	275
20	3SIE200L2B	37	50	3557	99	92,8	93,3	93,0	0,90	111	67	64	2,1	6,6	2,5	0,2	295
21	3SIE225M2	45	60	3570	120	93,1	93,8	93,6	0,89	136	82	78	2,0	7,3	2,8	0,26	385
22	3SIE250M2	55	75	3571	147	93,5	93,9	93,6	0,91	162	98	93	2,3	7,6	3,3	0,42	495
23	3SIE280S2	75	100	3579	200	93,0	94,0	94,1	0,90	222	135	128	1,8	7,7	3,2	0,76	660
24	3SIE280M2	90	125	3579	240	94,4	95,1	95,0	0,90	264	160	152	1,8	7,7	3,3	0,95	690
25	3SIE315S2	110	150	3579	294	94,8	95,2	95,0	0,91	319	193	184	2,0	7,9	3,1	0,98	865
26	3SIE315M2A	132	175	3577	352	95,3	95,6	95,4	0,92	378	229	217	1,9	7,6	2,7	1,28	970
27	3SIE315M2B	160	220	3579	427	94,7	95,1	95,0	0,92	460	278	264	2,2	8,6	3,1	1,57	1118
28	3SIE315M2C	200	270	3580	534	95,8	96,0	95,8	0,93		341	324	2,2	8,0	2,9	1,74	1185
29	3SIE355ML2A	250	355	3584	666	94,3	95,4	95,8	0,91		436	414	1,5	7,8	2,8	2,8	1620
30	3SIE355ML2B	315	425	3584	839	95,0	95,9	96,1	0,91		547	520	1,9	7,9	3,0	3,0	1700
31	3SIE355H2D	355	475	3586	945	94,4	95,6	96,0	0,91		617	586	1,8	8,1	2,9	4,9	2160
32	3SIE355H2E	400	540	3582	1066	95,3	96,0	96,1	0,91			660	1,6	8,5	2,8	5,7	2200
33	3SIE400H2C	450	600	3582	1200	95,3	96,0	96,1	0,91			743	1,3	7,1	2,6	6,7	2800
34	3SIE400H2D	500	680	3582	1333	95,3	96,0	96,1	0,91			825	1,4	7,6	2,8	7,7	2880
35	3SIE400H2E	560	750	3582	1493	95,3	96,0	96,1	0,90			935	1,5	8,5	2,9	8,7	3100
36	3SIE400H2F	630	850	3582	1680	95,3	96,0	96,1	0,90			1051	1,5	8,3	2,8	8,7	3100
37	3SIE450H2B	710	950	3588	1890	95,3	96,0	96,1	0,88			703 ¹	0,6	6,7	2,7	17,2	4160
38	3SIE450H2C	800	1080	3588	2129	95,3	96,0	96,1	0,88			792 ¹	0,7	7,2	2,7	18,4	4380
39	3SIE450H2D	900	1200	3588	2395	95,3	96,0	96,1	0,88			891 ¹	0,7	7,0	2,7	19,0	4480

¹ – at rated voltage 690V

Totally Enclosed Motors IP 55 $f=60\text{Hz}$ RPM=1800 min⁻¹

Item	Type	Rated output		Rated speed	Rated torque	Efficiency			Power factor	Full load current			Locked rotor torque ratio	Locked rotor current ratio	Breakdown torque ratio	Moment of Inertia	Weight (IMB3)
		P _N				η_N				cos φ_N	I _N at rated voltage [A]						
		[kW]	[HP]	[min ⁻¹]	[Nm]	50%	75%	100%	[-]	230V	380V	400V	[-]	[-]	[-]	[kgm ²]	[kg]
2p=4 n_s=1800 rpm																	
1	Sh56-4A	0,06	0,08	1680	0,34	37,3	46,3	52,0	0,51	0,52	0,31	0,3	2,4	3,3	2,8	0,000145	2,6
2	Sh56-4B	0,09	0,12	1660	0,51	50,9	58,1	62,0	0,56	0,6	0,37	0,35	2,4	2,7	2,5	0,000186	2,8
3	2SIE63-4A	0,12	0,17	1660	0,69	52,9	60,9	64,0	0,60	0,8	0,5	0,45	2,3	3,0	2,4	0,00024	3,5
4	2SIE63-4B	0,18	0,25	1660	1,03	56,8	63,6	68,0	0,59	1,1	0,7	0,65	2,4	3,0	2,4	0,00031	4,1
5	2SIE71-4A	0,25	0,33	1670	1,43	61,8	67,9	70,0	0,58	1,55	0,95	0,9	2,5	3,1	2,7	0,00072	5,8
6	2SIE71-4B	0,37	0,55	1680	2,1	67,0	71,0	72,0	0,64	2	1,2	1,15	2,4	3,3	2,4	0,00085	7,2
7	2SIE80-4A	0,55	0,75	1680	3,12	69,5	73,8	75,5	0,59	2,95	1,8	1,7	3,0	3,9	3,0	0,0016	8,4
8	3SIE80-4B	0,75	1	1720	4,16	81,1	82,7	83,5	0,62	3,6	2,2	2,1	4,8	6,3	4,6	0,00265	11
9	3SIE90S4	1,1	1,5	1760	6	82,6	85,8	86,5	0,73	4,4	2,6	2,5	2,6	8,5	4,2	0,0036	18
10	3SIE90L4	1,5	2	1755	8,2	83,2	86,0	86,5	0,77	5,7	3,4	3,3	2,8	8,2	4,0	0,004	21
11	3SIE100L4A	2,2	3	1760	11,9	85,3	89,1	89,5	0,77	8	4,9	4,6	3,1	8,3	3,9	0,0076	27,5
12	3SIE100L4B	3	4	1770	16,2	86,5	89,1	89,5	0,77	10,9	6,6	6,3	3,2	8,7	4,1	0,0086	31
13	3SIE112M4	4	5,5	1765	21,6	88,5	89,7	89,5	0,79	14,2	8,6	8,2	2,3	8,6	3,9	0,0115	41,5
14	3SIE132S4	5,5	7,5	1770	29,7	88,9	91,1	91,7	0,83	18,1	11	10,4	2,7	10,0	4,0	0,036	63
15	3SIE132M4	7,5	10	1770	40,5	90,0	91,6	91,7	0,79	26	15,7	14,9	3,7	11,0	4,6	0,042	67
16	3SIE160M4	11	15	1775	59,2	91,0	92,4	92,4	0,83	36	21,8	20,7	2,9	8,4	3,5	0,088	136
17	3SIE160L4	15	20	1775	80,7	92,8	93,1	93,0	0,82	49,4	29,9	28,4	3,1	9,2	3,6	0,104	154
18	3SIE180M4	18,5	25	1775	99,5	92,3	93,0	93,6	0,84	59,1	35,7	34	3,5	9,3	4,2	0,162	190
19	3SIE180L4	22	30	1775	118,4	91,6	93,1	93,6	0,82	72	43,6	41,4	3,9	9,4	4,4	0,185	200
20	3SIE200L4	30	40	1778	161	94,5	94,7	94,1	0,89	90	54	52	2,3	6,9	2,6	0,38	329
21	3SIE225S4	37	50	1785	198	94,7	94,9	94,5	0,87	113	68	65	2,1	7,2	2,9	0,51	373
22	3SIE225M4	45	60	1784	241	95,2	95,4	95,0	0,88	135	82	78	2,1	7,5	3,0	0,59	410
23	3SIE250M4	55	75	1786	294	95,2	95,6	95,4	0,91	159	96	91	2,5	7,9	3,0	1	520
24	3SIE280S4	75	100	1788	400	95,1	95,6	95,4	0,90	219	133	126	2,0	7,2	2,6	1,37	710
25	3SIE280M4	90	125	1791	480	95,0	95,5	95,4	0,89	266	161	153	2,7	8,8	3,1	1,8	761
26	3SIE315S4	110	150	1788	587	95,7	96,0	95,8	0,91	317	192	182	2,1	7,0	2,2	2,25	920
27	3SIE315M4A	132	175	1790	704	96,4	96,5	96,2	0,90	383	232	220	2,2	8,3	2,6	2,59	1030
28	3SIE315M4B	160	220	1790	854	96,5	96,6	96,2	0,90	464	281	267	2,3	8,5	2,9	2,8	1130
29	3SIE315M4C	200	270	1789	1068	96,0	96,4	96,2	0,90		351	333	2,4	8,1	2,8	3,46	1205
30	3SIE355ML4A	250	355	1788	1335	95,6	96,1	96,2	0,90		439	416	1,9	8,0	2,2	5,3	1700
31	3SIE355ML4B	315	425	1789	1682	95,8	96,3	96,2	0,90		553	525	2,0	8,0	2,2	6,4	1830
32	3SIE355H4D	355	475	1790	1894	95,8	96,3	96,2	0,88		637	605	1,6	7,6	2,3	8,0	2350
33	3SIE355H4E	400	540	1789	2135	95,8	96,3	96,2	0,88			682	1,8	7,7	2,3	9,1	2450
34	3SIE400H4C	450	600	1789	2402	95,6	96,3	96,2	0,87			776	1,6	8,0	2,5	12,3	2920
35	3SIE400H4D	500	680	1790	2667	95,6	96,3	96,2	0,87			862	1,6	8,0	2,6	13,6	3100
36	3SIE400H4E	560	750	1790	2987	95,6	96,3	96,2	0,87			966	1,7	8,0	2,6	15,0	3250
37	3SIE400H4F	600	810	1791	3200	95,6	96,3	96,2	0,87			1035	1,9	8,8	2,9	17,2	3500
38	3SIE450H4B	710	950	1792	3784	96,0	96,5	96,5	0,87			708 ¹	1,6	7,5	2,5	27,1	4000
39	3SIE450H4C	800	1070	1793	4261	96,0	96,5	96,5	0,88			788 ¹	1,6	7,4	2,6	31,6	4400
40	3SIE450H4D	900	1200	1793	4794	96,0	96,5	96,5	0,88			887 ¹	1,5	7,7	2,5	35,4	4620
41	3SIE450H4E	1000	1350	1793	5326	96,0	96,5	96,5	0,88			985 ¹	1,5	7,8	2,5	38,0	4700
42	Sh500H4Cs	1120	1500	1794	5962	96,7	97,3	97,4	0,87			1106 ¹	0,8	7,4	2,5	58,4	6100
43	Sh500H4Ds	1250	1680	1795	6650	96,7	97,3	97,5	0,87			1233 ¹	0,8	8,0	2,7	65,2	6600
44	Sh500H4Es	1400	1880	1795	7448	97,0	97,5	97,5	0,88			1365 ¹	0,7	6,9	2,4	66,5	6900

¹ – at rated voltage 690V

Totally Enclosed Motors IP 55 f=60Hz RPM=1200 min⁻¹

Item	Type	Rated output		Rated speed n _N [min ⁻¹]	Rated torque T _N [Nm]	Efficiency			Power factor			Locked rotor torque ratio T _L /T _N [-]	Locked rotor current ratio I _L /I _N [-]	Breakdown torque ratio T _B /T _N [-]	Moment of Inertia J [kgm ²]	Weight (IMB3) [kg]	
		P _N [kW]	[HP]			50%	75%	100%	cos φ _N [-]	I _N at rated voltage [A] 230V 380V 400V							
2p=6 n_s=1200 rpm																	
1	Sh56-6B	0,06	0,08	1030	0,55	20,7	28,1	33,0	0,62	0,73	0,44	0,42	1,7	2,0	1,8	0,00019	2,8
2	Sh63-6A	0,09	0,12	1040	0,82	40,5	47,2	50,0	0,52	0,9	0,53	0,5	1,8	2,3	1,9	0,00024	3,5
3	2SIE63-6B	0,12	0,17	1110	1,03	55,5	62,6	64,0	0,49	0,95	0,6	0,55	2,0	2,7	2,4	0,00077	5,9
4	2SIE71-6A	0,18	0,25	1080	1,59	43,0	51,0	55,0	0,67	1,2	0,75	0,7	2,2	2,4	2,2	0,00074	5
5	2SIE71-6B	0,25	0,33	1060	2,25	56,1	60,0	59,5	0,76	1,4	0,85	0,8	2,2	2,6	2,2	0,00122	6,2
6	2SIE80-6A	0,37	0,5	1100	3,21	61,6	64,7	64,0	0,72	1,9	1,15	1,1	2,1	3,1	1,9	0,00207	8,6
7	2SIE80-6B	0,55	0,75	1080	4,86	70,3	72,5	71,0	0,80	2,4	1,5	1,4	2,0	3,6	2,2	0,00293	10,8
8	3SIE90S6	0,75	1	1150	6,2	79,1	82,2	82,5	0,65	3,5	2,1	2	1,8	5,1	2,9	0,0032	16
9	3SIE90L6 ²	1,1	1,5	1150	9,1	82,3	85,2	85,5	0,65	5	3	2,9	2,9	5,3	3,1	0,009	19
10	3SIE100L6 ²	1,5	2	1160	12,3	85,3	86,9	86,5	0,73	6	3,6	3,4	2,8	7,2	3,6	0,01	23,5
11	3SIE112M6 ²	2,2	3	1170	18	84,3	86,7	87,5	0,72	8,8	5,3	5	2,4	6,5	3,0	0,0177	34
12	3SIE132S6	3	4	1170	24,5	88,2	89,6	89,5	0,79	10,7	6,4	6,1	2,4	7,4	3,4	0,044	54
13	3SIE132M6A	4	5,5	1165	32,8	89,0	90,0	89,5	0,80	14	8,5	8,1	2,6	7,7	3,6	0,0579	62
14	3SIE132M6B ²	5,5	7,5	1165	45,1	88,6	89,9	89,5	0,79	19,5	11,8	11,2	2,7	7,6	3,4	0,0637	66
15	3SIE160M6	7,5	10	1170	61,2	89,9	91,2	91,0	0,81	25,8	15,5	14,7	2,6	8,0	3,3	0,102	134
16	3SIE160L6	11	15	1170	89,8	91,0	91,5	91,7	0,79	38,1	23,1	21,9	2,4	8,0	3,5	0,123	146
17	3SIE180L6	15	20	1180	121,4	89,1	91,3	91,7	0,80	51,3	31,1	29,5	4,0	8,6	3,2	0,276	198
18	3SIE200L6A	18,5	25	1189	149	92,0	93,0	93,0	0,81	62	37,5	35,5	2,3	6,5	2,6	0,5	285
19	3SIE200L6B	22	30	1190	177	92,0	93,1	93,0	0,80	74	45	43	2,5	7,0	2,7	0,64	309
20	3SIE225M6	30	40	1189	241	94,1	94,5	94,1	0,82	98	59	56	2,2	7,1	2,3	0,89	392
21	3SIE250M6	37	50	1192	296	93,0	94,1	94,1	0,81	122	74	70	2,2	7,7	2,8	1,23	440
22	3SIE280S6	45	60	1193	360	93,5	94,4	94,5	0,82	146	88	84	2,2	7,8	2,6	1,7	635
23	3SIE280M6	55	75	1192	441	94,0	94,6	94,5	0,82	178	108	102	2,2	7,3	2,6	1,9	695
24	3SIE315S6	75	100	1192	601	94,7	95,1	95,0	0,82	242	146	139	2,2	7,1	2,3	2,4	900
25	3SIE315M6A	90	125	1192	721	94,6	95,1	95,0	0,82	290	176	167	2,6	8,0	2,9	2,93	965
26	3SIE315M6B	110	150	1192	881	95,5	96,0	95,8	0,83	347	210	200	2,8	7,8	2,9	3,46	1110
27	3SIE315M6C	132	175	1191	1058	95,7	96,1	95,8	0,84	412	249	237	2,4	7,2	2,4	4,21	1230
28	3SIE315M6D	160	220	1193	1281	94,6	95,6	95,8	0,75	559	338	321	3,3	8,2	3,0	4,36	1235
29	3SIE355ML6A	200	270	1192	1602	94,8	95,7	95,8	0,86		369	351	2,0	8,0	2,4	7,2	1740
30	3SIE355ML6B	250	355	1191	2005	95,2	95,8	95,8	0,86		461	438	1,9	8,0	2,3	8,6	1950
31	3SIE355H6C	315	425	1191	2526	95,0	95,8	95,8	0,86		581	552	1,5	7,6	2,2	12,7	2390
32	3SIE355H6D	355	475	1191	2847	95,0	95,8	95,8	0,86		655	622	1,5	7,4	2,2	14,3	2550
33	3SIE355H6E	400	540	1191	3207	95,5	95,8	95,8	0,85		709	2,2	8,6	2,4	15,3	2600	
34	3SIE400H6C	450	600	1192	3605	95,0	95,8	95,8	0,82		827	1,5	8,0	2,5	19,4	3250	
35	3SIE400H6D	500	680	1192	4006	95,0	95,8	95,8	0,82		919	1,7	8,5	2,6	22,0	3450	
36	3SIE450H6B	560	750	1193	4483	95,4	95,9	95,9	0,86		568 ¹	1,2	7,3	2,6	40,6	4300	
37	3SIE450H6C	630	850	1193	5043	95,5	96,0	96,0	0,87		631 ¹	1,3	7,5	2,6	45,0	4500	
38	3SIE450H6D	710	950	1194	5679	95,5	96,0	96,1	0,87		711 ¹	1,4	7,9	2,6	50,0	4890	
39	3SIE500H6A	800	1080	1195	6393	95,5	96,2	96,3	0,86		808 ¹	0,9	6,3	2,4	61,5	6200	
40	3SIE500H6B	900	1200	1195	7192	95,6	96,2	96,3	0,86		909 ¹	1,0	6,5	2,2	71,0	6550	
41	3SIE500H6C	1000	1350	1195	7992	95,7	96,3	96,4	0,86		1009 ¹	1,0	7,0	2,5	75,0	6700	
42	Sh500H6Ds	1120	1500	1195	8951	96,1	96,8	97,0	0,85		1137 ¹	1,1	7,5	2,6	80	7130	
43	Sh500H6Es	1250	1680	1195	9990	96,2	96,9	97,0	0,85		1269 ¹	1,1	7,6	2,6	84,9	7460	

¹ – at rated voltage 690V, ² – IE3 with standard rated output at 50Hz

Totally Enclosed Motors IP 55 $f=60\text{Hz}$ RPM=900 min^{-1}

Item	Type	Rated output		Rated speed	Rated torque	Efficiency			Power factor	Full load current			Locked rotor torque ratio	Locked rotor current ratio	Breakdown torque ratio	Moment of Inertia	Weight (IMB3)
		P_N	P_N			η_N	η_N	η_N		$\cos \varphi_N$	I_N at rated voltage [A]						
		[kW]	[HP]	$[\text{min}^{-1}]$	[Nm]	50%	75%	100%	[-]	230V	380V	400V	T_L/T_N	I_L/I_N	T_B/T_N	J	[kg]
2p=8 $n_s=900$ rpm																	
1	Sh63-8A	0,04	0,06	800	0,48	11,5	16,5	30,5	0,39	0,9	0,53	0,5	2,1	1,5	2,0	0,00024	3,5
2	Sh63-8B	0,06	0,08	790	0,72	10,9	15,6	28,6	0,47	1,1	0,7	0,65	1,7	1,6	1,7	0,000307	4,1
3	Sh71-8A	0,09	0,12	820	1,05	24,1	30,6	34,0	0,50	1,3	0,8	0,75	2,3	1,8	2,3	0,000736	4,7
4	2SIE71-8B	0,12	0,17	800	1,43	28,2	35,6	39,8	0,67	1,15	0,7	0,65	2,1	1,8	1,9	0,003882	5,6
5	2SIE80-8A	0,18	0,25	850	2,02	51,6	60,7	64,0	0,51	1,4	0,85	0,8	2,1	2,7	2,4	0,002933	11
6	2SIE80-8B	0,25	0,33	840	2,84	59,5	67,0	68,0	0,51	1,75	1,1	1	2,1	2,9	2,4	0,00345	12,7
7	2SIE90S8	0,37	0,5	855	4,1	48,7	55,9	58,0	0,60	2,4	1,5	1,4	1,4	3,5	2,3	0,0021	13
8	2SIE90L8	0,55	0,75	855	6,1	53,1	61,5	62,0	0,62	3,3	2,0	1,9	1,5	3,7	2,3	0,0030	16
9	3SIE100L8A	0,75	1	870	8,2	70,0	74,8	75,5	0,64	3,9	2,4	2,2	1,9	4,5	2,9	0,0076	19,5
10	3SIE100L8B	1,1	1,5	855	12,3	69,0	76,9	78,5	0,68	5,2	3,1	3	1,5	4,2	2,3	0,0122	27
11	3SIE112M8	1,5	2	855	16,8	83,1	84,5	84,0	0,65	6,9	4,2	4	1,8	5,4	3,2	0,0168	33,5
12	3SIE132S8 ²	2,2	3	865	24,3	83,3	84,7	84,0	0,71	9,3	5,6	5,3	2,7	6,2	3,5	0,0361	46
13	3SIE132M8 ²	3	4	865	33,1	84,8	86,2	85,5	0,71	12,4	7,5	7,1	2,6	7,0	3,5	0,0489	54
14	3SIE160M8A	4	5,5	860	44,4	87,4	88,0	86,5	0,72	16,1	9,8	9,3	1,8	5,5	3,0	0,057	106
15	3SIE160M8B	5,5	7,5	860	61,1	87,4	88,0	86,5	0,72	22,2	13,4	12,7	2,1	6,0	3,5	0,078	118
16	3SIE160L8	7,5	10	860	83,3	90,1	90,7	89,5	0,74	28,4	17,2	16,3	2,3	6,5	3,3	0,102	132
17	3SIE180L8	11	15	875	120,1	87,7	89,2	89,5	0,74	41,6	25,2	24	2,0	5,5	2,4	0,213	165
18	3SIE200L8	15	20	880	162	87,9	89,7	90,2	0,76	54,9	33,2	31,6	2,2	7,0	3,1	0,5	200
19	3SIE225S8	18,5	25	887	199	89,9	90,6	90,2	0,79	65	39,5	37,5	2,3	6,6	2,3	0,58	315
20	3SIE225M8	22	30	888	237	90,5	91,7	91,7	0,80	75	46	43	2,5	7,0	2,1	0,68	350
21	3SIE250M8	30	40	889	322	90,7	91,7	91,7	0,81	101	61	58	2,9	7,1	2,5	1,27	460
22	3SIE280S8	37	50	889	397	91,6	92,5	92,4	0,82	123	74	70	2,2	6,1	2,0	1,47	600
23	3SIE280M8	45	60	889	483	92,0	92,6	92,4	0,82	149	90	86	2,3	6,6	2,2	1,8	640
24	3SIE315S8	55	75	890	590	92,3	93,4	93,6	0,81	182	110	105	1,7	6,6	2,6	1,9	850
25	3SIE315M8A	75	100	889	806	92,7	93,6	93,6	0,80	251	152	145	2,1	7,3	2,9	2,6	960
26	3SIE315M8B	90	125	889	967	93,9	94,4	94,1	0,81	296	179	170	2,2	7,4	3,1	3,3	1090
27	3SIE315M8C	110	150	891	1179	93,0	93,9	94,1	0,77	381	231	219	2,6	8,0	3,1	4,1	1230
28	3SIE315M8D	132	175	890	1416	93,6	94,3	94,5	0,78	450	272	258	2,4	7,8	3,0	4,2	1245
29	3SIE355ML8A	160	215	889	1718	94,2	94,5	94,5	0,80		321	305	1,4	6,6	2,0	7,0	1680
30	3SIE355ML8B	200	270	890	2146	94,7	95,0	95,0	0,80		400	380	1,7	7,2	2,1	8,3	1750
31	3SIE355H8D	250	340	890	2683	94,7	95,1	95,1	0,78		511	486	1,3	6,5	2,0	12,9	2440
32	3SIE355H8E	315	430	892	3372	94,7	95,1	95,1	0,79		637	605	1,3	6,6	2,0	16,0	2590
33	3SIE400H8D	355	480	891	3805	94,7	95,2	95,2	0,77			699	1,2	6,2	2,0	18,8	3200
34	3SIE400H8E	400	540	891	4287	94,7	95,2	95,2	0,77			788	1,2	6,3	2,0	21,0	3350
35	3SIE450H8B	450	600	896	4796	94,8	95,3	95,3	0,77			513 ¹	0,9	6,2	2,0	41,6	4400
36	3SIE450H8C	500	680	896	5329	94,9	95,4	95,4	0,77			570 ¹	1,0	6,2	2,1	46,0	4600
37	3SIE450H8D	560	750	895	5975	94,9	95,4	95,4	0,78			630 ¹	1,0	6,2	2,1	49,0	4770
38	3SIE450H8E	630	850	895	6722	95,0	95,5	95,5	0,78			708 ¹	1,0	5,9	2,0	53,8	4980
39	3SIE500H8B	710	950	896	7568	95,0	95,5	95,5	0,80			778 ¹	1,1	6,8	2,5	92,4	6680
40	3SIE500H8C	800	1080	896	8527	95,0	95,5	95,5	0,80			876 ¹	1,1	6,8	2,5	95,8	6800
41	3SIE500H8D	900	1200	896	9593	95,0	95,5	95,5	0,80			986 ¹	1,0	6,5	2,4	108	7240
42	3SIE500H8E	1000	1350	896	10658	95,0	95,5	95,5	0,80			1095 ¹	1,1	7,0	2,5	118	7570

¹ – at rated voltage 690V, ² – IE3 with standard rated output at 50Hz

Totally Enclosed Motors IP 55 f=60Hz RPM=720 min⁻¹

Item	Type	Rated output		Rated speed	Rated torque	Efficiency			Power factor			Full load current			Locked rotor torque ratio	Locked rotor current ratio	Breakdown torque ratio	Moment of Inertia	Weight (IMB3)
		P _N				n _N	T _N	η _N [%]	cos φ _N	I _N at rated voltage [A]	T _L /T _N	I _L /I _N	T _B /T _N	J					
		[kW]	[HP]	[min ⁻¹]	[Nm]	50%	75%	100%	[-]	230V	380V	400V	[-]	[-]	[-]	[kgm ²]	[kg]		
2p=10 n_s=720 rpm																			
1	Sh90S-10	0,25	0,34	710	3,4	48,9	54,8	57,0	0,47	2,34	1,42	1,35	2,5	2,8	2,9	0,0028	17		
2	Sh90L-10	0,37	0,5	710	5	54,7	62,4	65,8	0,52	2,71	1,64	1,56	2,6	3,0	2,9	0,003	20		
3	Sg100L-10A	0,55	0,75	690	7,6	40,9	51,8	56,8	0,43	5,7	3,4	3,3	3,5	4,2	3,7	0,009	24		
4	Sg100L-10B	0,75	1	680	10,5	46,8	55,6	57,9	0,52	6,3	3,8	3,6	2,9	4,1	3,3	0,01	24,5		
5	Sg112M-10	0,75	1	680	10,5	45,2	53,4	73,0	0,63	4,1	2,5	2,4	3,9	5,0	4,0	0,0177	33		
6	Sg112M-10A	1,1	1,5	680	15,4	70,9	75,1	75,1	0,62	5,9	3,6	3,4	1,9	4,2	2,6	0,018	32		
7	Sg132S-10	1,1	1,5	680	15,4	56,3	69,7	78,2	0,63	5,6	3,4	3,2	1,8	5,0	2,2	0,025	52		
8	Sg132S-10A	1,5	2	680	21,1	55,1	71,7	75,5	0,58	8,6	5,2	4,9	2,1	4,9	3,0	0,032	66		
9	Sg132S-10B	2,2	3	675	31,1	45,2	64,2	76,4	0,55	13,1	8	7,6	2,4	5,1	3,2	0,04	72		
10	Sg160M-10	4	5,5	685	55,8	73,5	75,8	77,0	0,55	23,7	14,4	13,6	2,8	5,3	3,1	0,096	125		
11	Sg160L-10	5,5	7,5	690	76,1	77,8	80,3	82,1	0,55	30,6	18,5	17,6	2,8	6,1	3,7	0,096	125		
12	Sg180L-10	7,5	10	705	101,6	84,4	87,2	88,0	0,60	35,7	21,6	20,5	3,2	6,7	3,5	0,22	164		
13	2Sg200L10A	7,5	10	707	101	84,8	86,3	86,6	0,75	29	17,5	16,7	2,3	5,5	2,1	0,4	240		
14	2Sg200L10B	11	15	705	149	85,7	87,7	87,7	0,73	43	26,1	24,8	2,9	6,1	2,4	0,47	255		
15	2Sg225S10	13	18	712	174	88,2	90,7	91,5	0,68	52	32	30	1,9	4,9	2,2	0,6	280		
16	2Sg225M10	15	20	711	201	87,5	89,6	90,0	0,69	61	36,5	35	2,7	5,9	2,1	0,76	315		
17	2Sg250M10	22	30	710	296	88,0	90,1	90,7	0,71	86	52	49	2,9	6,2	2,1	1,27	430		
18	2Sg280S10A	30	40	706	406	89,2	91,3	91,0	0,73	113	69	65	1,8	4,7	1,9	1,35	525		
19	2Sg280S10B	37	50	705	501	91,0	91,5	91,0	0,75	136	82	78	2,0	5,3	1,8	1,61	565		
20	2Sg280M10	45	60	708	607	92,7	93,2	92,7	0,75	162	98	93	2,0	5,0	1,7	2,03	630		
21	2Sg315S10z	55	75	704	746	88,0	90,0	91,0	0,74	205	124	118	1,8	5,5	2,1	2,86	840		
22	2Sg315M10	75	100	704	1017	91,8	92,6	92,2	0,74	276	167	159	2,2	5,1	1,9	3,01	895		
23	Sg355S10A	90	125	712	1207	92,5	93,5	93,5	0,79		185	176	1,3	6,3	2,1	8,2	1250		
24	Sg355S10B	110	150	712	1475	92,8	93,7	93,7	0,79		226	215	1,3	6,5	2,3	10,3	1390		
25	Sh355H10As	132	180	712	1771	93,2	93,9	93,8	0,79		271	257	1,1	5,1	1,9	11	2080		
26	Sh355H10Bs	160	220	713	2143	93,2	94,0	94,0	0,78		332	315	1,3	5,6	2,0	13	2220		
27	Sh355H10Cs	200	270	712	2683	94,2	94,2	94,1	0,79		408	388	1,2	5,6	1,9	15,5	2360		
28	Sh400H10Bs	250	340	712	3353	93,9	94,4	94,3	0,80		503	478	1,1	6,1	2,4	28,5	3170		
29	Sh400H10Cs	315	430	712	4225	94,3	94,7	94,6	0,80		633	601	1,1	6,2	2,4	32,2	3350		
30	Sh450H10As	355	480	715	4742	94,3	95,1	95,2	0,81			385 ¹	0,7	6,2	2,2	39,0	3850		
31	Sh450H10Bs	400	540	716	5335	94,5	95,2	95,3	0,81			434 ¹	0,7	6,2	2,1	45,0	4050		
32	Sh450H10Cs	450	600	716	6002	94,6	95,3	95,4	0,81			487 ¹	0,8	6,3	2,2	52,0	4280		
33	Sh450H10Ds	500	680	716	6669	94,4	95,2	95,4	0,79			555 ¹	0,8	7,3	2,3	57	4450		
34	Sh450H10Es	560	750	716	7469	94,5	95,3	95,5	0,78			629 ¹	0,9	7,5	2,3	60	4540		
35	Sh500H10Ds	630	850	716	8403	93,7	95,0	95,1	0,81			684 ¹	1,1	6,8	2,2	108	6450		
36	Sh500H10Es	710	950	716	9470	93,9	95,1	95,2	0,80			780 ¹	1,2	6,9	2,2	117	6680		
37	Sh500H10Fs	800	1070	716	10670	93,9	95,0	95,1	0,80			880 ¹	1,2	7,1	2,2	128	7000		

¹ – at rated voltage 690V

Totally Enclosed Motors IP 55 $f=60\text{Hz}$ $\text{RPM}=600\text{ min}^{-1}$

Item	Type	Rated output		Rated speed	Rated torque	Efficiency			Power factor	Full load current			Locked rotor torque ratio	Locked rotor current ratio	Breakdown torque ratio	Moment of Inertia	Weight (IMB3)
		P_N	P_N	n_N	T_N	η_N [%]	$\cos \varphi_N$	I_N at rated voltage [A]			T_L/T_N	I_L/I_N	T_B/T_N	J			
		[kW]	[HP]	[min^{-1}]	[Nm]	50%	75%	100%	[-]	230V	380V	400V	[-]	[-]	[-]	[kgm^2]	[kg]
		2p=12			$n_s=600\text{ rpm}$												
1	Sg100L-12	0,55	0,75	560	9,4	40,9	51,8	56,8	0,52	4,7	2,8	2,7	1,8	3,1	2,1	0,009	22
2	Sg112M-12	0,75	1	570	12,6	54,3	59,8	65,3	0,47	6,1	3,7	3,5	2,5	4,2	3,3	0,0177	33
3	Sg132S-12	1,1	1,5	565	18,6	64,3	69,7	70,4	0,60	6,5	4	3,8	1,7	3,9	2,8	0,025	54
4	Sg132M-12	1,5	2	565	25,4	69,9	71,9	74,0	0,58	8,8	5,3	5	1,9	4,7	3,0	0,032	66
5	Sg132M-12B	2,2	3	565	37,2	69,9	72,3	72,5	0,55	13,8	8,4	8	1,8	4,0	2,6	0,04	72
6	Sg160M-12	2,2	3	570	36,9	68,5	73,1	74,5	0,50	14,8	8,2	8,5	2,1	5,2	3,1	0,072	100
7	Sg160L-12	3	4	580	49,4	73,3	80,4	83,5	0,51	17,7	10,7	10,2	2,2	5,7	3,1	0,096	125
8	Sg180L-12	5,5	7,5	585	89,8	69,8	71,2	74,7	0,58	31,9	19,3	18,3	1,6	4,1	2,4	0,22	170
9	2Sg200L12	9	12	589	146	80,0	82,6	83,0	0,61	45	27	25,6	2,7	4,7	2,5	0,47	255
10	2Sg225S12	11	15	591	178	83,1	86,2	87,0	0,65	49	29,6	28,1	2,0	4,2	2,2	0,58	315
11	2Sg225M12	13	18	592	210	86,0	88,9	89,2	0,68	54	32,5	31	2,0	5,5	2,0	0,68	350
12	2Sg250M12	18,5	25	590	299	87,5	89,0	88,8	0,67	78	47	45	2,6	5,0	2,0	1,27	430
13	2Sg280S12	22	30	592	355	88,7	90,6	91,2	0,63	96	58	55	1,9	4,9	2,1	1,47	535
14	2Sg280M12	30	40	591	485	85,8	88,6	89,4	0,64	132	80	76	2,0	4,4	1,7	1,8	570
15	2Sg315S12	37	50	592	597	87,9	90,1	90,7	0,60	171	103	98	2,1	5,0	2,0	2,29	730
16	2Sg315M12A	45	60	591	792	88,0	90,4	91,1	0,60	207	125	119	2,4	4,8	1,7	2,86	870
17	2Sg315M12B	55	75	589	973	86,6	89,5	90,4	0,61	250	152	144	2,3	4,9	1,7	3,01	885
18	Sg355S12	75	100	591	1212	89,5	91,2	91,2	0,73		172	163	1,2	5,0	1,9	8,3	1250
19	Sg355S12A	90	120	592	1452	90,0	91,4	91,5	0,73		205	195	1,2	6,2	2,2	10,4	1390
20	Sg355S12B	110	150	591	1777	90,0	91,5	91,5	0,73		251	238	1,3	5,7	1,9	12,1	1570
21	Sg355M12	132	180	593	2162	90,5	91,9	92,0	0,73		299	284	1,2	5,5	1,9	13,1	1730
22	Sh450H12As	160	220	594	2572	93,1	93,8	93,8	0,76		351	324	0,8	6,2	2,3	30,0	3470
23	Sh450H12Bs	200	270	593	3221	93,1	93,8	93,8	0,76		426	405	0,9	6,2	2,3	33,7	3600
24	Sh450H12Cs	250	340	591	4040	93,1	93,8	93,8	0,76		533	506	0,8	5,5	2,1	40,0	3750
25	Sh450H12Ds	315	430	592	5081	93,3	94,0	94,0	0,77		661	628	0,8	5,6	2,3	34,7	4030
26	Sh450H12Es	355	480	593	5717	93,4	94,1	94,1	0,77		744	707	0,9	6,1	2,4	41,7	4330
27	Sh450H12Fs	400	540	593	6442	93,6	94,2	94,2	0,77		838	796	0,9	6,1	2,4	46,3	4530
28	Sh500H12Cs	450	600	594	7235	94,1	94,7	94,7	0,78		925	879	1,1	6,6	2,5	100	6090
29	Sh500H12Ds	500	680	594	8039	94,2	94,8	94,8	0,78		1027	976	1,1	6,7	2,5	112	6370
30	Sh500H12Es	560	750	594	9003	94,2	94,8	94,8	0,78		1150	1093	1,2	7,0	2,6	125	6680

Totally Enclosed Motors IP 55 f=60Hz RPM=3600 min⁻¹

Item	Type	Rated output		Rated speed n _N [min ⁻¹]	Rated torque T _N [Nm]	Efficiency			Power factor cos φ _N [-]	Full load current		Locked rotor torque ratio T _L /T _N [-]	Locked rotor current ratio I _L /I _N [-]	Breakdown torque ratio T _B /T _N [-]	Moment of Inertia J [kgm ²]	Weight (IMB3) [kg]
		P _N [kW]	[HP]			50%	75%	100%		I _N at rated voltage [A] 265V	460V					
2p=2 n_s=3600 rpm																
1	Sh56-2A	0,11	0,14	3380	0,31	47,5	55,9	62,0	0,63	0,6	0,35	2,5	3,4	2,7	0,000076	2,9
2	2SIE56-2B ³	0,14	0,18	3360	0,39	59,1	64,7	65,0	0,73	0,7	0,4	2,0	3,0	2,0	0,000095	3,2
3	2SIE63-2A ³	0,21	0,28	3310	0,6	62,8	67,2	66,0	0,80	0,85	0,5	2,1	3,4	2,0	0,000175	3,5
4	2SIE63-2B ³	0,29	0,39	3340	0,83	68,9	69,8	70,0	0,79	1,1	0,65	2,4	3,3	2,5	0,000235	4,1
5	2SIE71-2A ³	0,43	0,58	3410	1,2	67,0	73,0	74,0	0,73	1,75	1	3,2	5,0	3,2	0,00046	5,6
6	2SIE71-2B ³	0,64	0,86	3380	1,8	70,9	75,0	76,0	0,73	2,5	1,45	3,0	4,7	3,0	0,00053	6,3
7	3SIE80-2A ²	0,87	1,17	3470	2,39	74,6	79,0	82,0	0,79	2,95	1,7	4,0	7,5	4,2	0,001	10,6
8	3SIE80-2B ²	1,3	1,74	3470	3,58	73,7	83,0	85,5	0,77	4,3	2,5	5,1	9,5	4,8	0,00142	11,9
9	3SIE90S2 ²	1,73	2,3	3525	4,7	83,9	85,5	85,5	0,85	5,2	3	2,4	8,5	3,2	0,0014	16,5
10	3SIE90L2 ²	2,53	3,4	3510	6,9	86,5	87,1	86,5	0,87	7,3	4,2	2,8	8,7	4,1	0,0019	18,5
11	3SIE100L2 ²	3,45	4,6	3515	9,4	87,9	88,6	88,5	0,86	9,9	5,7	3,0	8,8	4,1	0,0039	25
12	3SIE112M2 ²	4,6	6,2	3525	12,5	88,1	88,8	88,5	0,90	12,6	7,2	2,3	8,7	3,3	0,0075	35,5
13	3SIE132S2A ²	6,3	8,4	3535	17	87,1	89,1	89,5	0,88	17,4	10	2,4	8,4	3,8	0,014	55
14	3SIE132S2B ²	8,6	11,5	3535	23,2	89,7	90,5	90,2	0,91	22,8	13,2	2,6	8,6	3,7	0,017	64
15	3SIE160M2A ²	12,7	17	3545	34,2	89,0	90,8	91,0	0,90	33,8	19,5	2,0	7,8	2,9	0,048	123
16	3SIE160M2B ²	17,3	23,2	3545	46,6	91,8	92,3	91,7	0,91	45,2	26	2,3	8,0	3,4	0,059	132
17	3SIE160L2 ²	21,3	28,6	3540	57,5	91,2	91,9	91,7	0,91	55,6	32	2,3	7,9	3,0	0,072	139
18	3SIE180M2 ²	25,3	33,9	3550	68,1	90,9	92,2	92,4	0,90	66,3	38,2	3,1	9,0	3,6	0,095	190
19	3SIE200L2A ²	35	47	3563	94	90,5	92,5	92,9	0,90	91	53	2,3	7,0	2,8	0,19	275
20	3SIE200L2B ²	43	58	3554	116	92,6	93,5	93,5	0,90	111	64	2,1	6,4	2,5	0,2	295
21	3SIE225M2 ²	52	70	3571	139	93,0	93,7	93,5	0,88	138	79	1,9	6,6	2,4	0,26	385
22	3SIE250M2 ²	63	85	3568	169	93,4	93,8	93,5	0,91	161	93	2,0	6,9	2,8	0,42	495
23	3SIE280S2 ²	86	115	3577	230	93,9	94,9	94,8	0,90	220	127	1,7	6,7	2,8	0,76	660
24	3SIE280M2 ²	104	139	3579	278	94,3	95,0	94,9	0,90	265	153	1,7	7,3	3,2	0,95	690
25	3SIE315S2 ²	127	170	3579	339	94,7	95,1	94,9	0,91	320	185	1,7	6,9	2,7	0,98	865
26	3SIE315M2A ²	152	204	3576	406	95,1	95,4	95,2	0,92	378	218	1,9	7,3	2,6	1,28	970
27	3SIE315M2B ²	184	247	3578	491	95,4	95,8	95,6	0,92	456	263	2,1	8,2	2,9	1,57	1118
28	3SIE315M2C ²	230	310	3580	614	95,6	95,9	95,6	0,93		325	2,2	8,1	2,9	1,74	1185
29	3SIE355ML2A	290	390	3584	764	94,3	95,4	95,8	0,91		417	1,5	6,8	2,8	2,8	1620
30	3SIE355ML2B	365	490	3584	972	95,0	95,9	96,1	0,91		452	1,9	7,3	3,0	3,0	1700
31	3SIE355H2D	410	550	3587	945	94,7	95,8	96,1	0,91		510	1,8	8,6	3,0	4,9	2160
32	3SIE355H2E	460	616	3582	1226	95,3	96,0	96,1	0,91		660	1,6	8,0	2,8	5,7	2200
33	3SIE400H2C	520	700	3582	1386	95,3	96,0	96,1	0,91		746	1,3	6,6	2,6	6,7	2800
34	3SIE400H2D	575	770	3582	1533	95,3	96,0	96,1	0,91		825	1,4	7,2	2,8	7,7	2880
35	3SIE400H2E	644	863	3582	1670	95,3	96,0	96,1	0,90		934	1,5	8,0	2,9	8,7	3100
36	3SIE400H2F	700	938	3582	1866	95,3	96,0	96,1	0,90		1016	1,5	7,9	2,8	8,7	3100
37	3SIE450H2B	816	1094	3588	2172	95,3	96,0	96,1	0,88		701 ¹	0,6	6,2	2,7	17,2	4160
38	3SIE450H2C	920	1230	3588	2449	95,3	96,0	96,1	0,88		790 ¹	0,7	6,8	2,7	18,4	4380
39	Sh450H2Ds	1035	1390	3588	2754	96,5	97,1	97,2	0,88		878 ¹	0,7	6,6	2,7	19	4480

¹ – at rated voltage 795V

² – IE3 with standard rated output at 50Hz

³ – IE2 with standard rated output at 50Hz

Totally Enclosed Motors IP 55 $f=60\text{Hz}$ RPM=1800 min⁻¹

Item	Type	Rated output		Rated speed	Rated torque	Efficiency			Power factor	Full load current		Locked rotor torque ratio	Locked rotor current ratio	Breakdown torque ratio	Moment of Inertia	Weight (IMB3)
		P _N				η_N	$\cos \varphi_N$	I _N at rated voltage [A]								
		[kW]	[HP]	[min ⁻¹]	[Nm]	50%	75%	100%	[-]	265V	460V	[-]	[-]	[-]	[kgm ²]	[kg]
2p=4 n_s=1800 rpm																
1	Sh56-4A	0,07	0,09	1680	0,39	40,8	49,4	54,0	0,55	0,52	0,3	2,4	2,8	2,8	0,000145	2,6
2	Sh56-4B	0,11	0,14	1660	0,62	48,6	56,2	60,0	0,61	0,6	0,35	2,4	2,4	2,5	0,000186	2,8
3	2SIE63-4A ³	0,14	0,18	1660	0,8	52,9	60,9	64,0	0,63	0,8	0,45	2,0	2,6	2,0	0,00024	3,5
4	2SIE63-4B ³	0,21	0,28	1660	1,21	54,2	60,6	68,0	0,65	1,1	0,65	2,0	2,6	2,0	0,00031	4,1
5	2SIE71-4A ³	0,29	0,39	1670	1,66	61,8	67,9	70,0	0,60	1,55	0,9	2,7	3,3	2,8	0,00072	5,8
6	2SIE71-4B ³	0,43	0,58	1680	2,44	68,0	72,0	73,0	0,65	2	1,15	2,5	3,5	2,5	0,00085	7,2
7	2SIE80-4A ³	0,64	0,86	1680	3,64	69,5	73,8	75,5	0,61	2,95	1,7	3,1	4,1	3,1	0,0016	8,4
8	3SIE80-4B ²	0,87	1,17	1720	4,83	80,1	81,7	83,5	0,64	3,6	2,2	4,1	6,3	3,9	0,00265	11
9	3SIE90S4 ²	1,27	1,7	1750	6,9	84,1	86,3	86,5	0,78	4,1	2,4	2,3	7,9	3,6	0,0036	18
10	3SIE90L4 ²	1,73	2,3	1750	9,4	84,4	86,5	86,5	0,78	5,6	3,2	2,4	7,3	3,5	0,004	21
11	3SIE100L4A ²	2,53	3,4	1760	13,7	86,9	88,3	87,5	0,80	7,9	4,5	2,7	7,5	3,4	0,0076	27,5
12	3SIE100L4B ²	3,45	4,6	1765	18,7	87,7	89,4	89,5	0,80	10,5	6	2,7	7,7	3,6	0,0086	31
13	3SIE112M4 ²	4,6	6,2	1755	25	89,4	90,0	89,5	0,82	13,7	7,9	2,0	7,5	3,4	0,0115	41,5
14	3SIE132S4 ²	6,3	8,4	1765	34,1	89,1	91,0	91,7	0,84	17,8	10,3	2,4	8,8	3,5	0,036	66
15	3SIE132M4 ²	8,6	11,5	1760	46,7	90,0	91,9	91,7	0,83	24,6	14,2	3,2	9,4	4,0	0,042	70
16	3SIE160M4 ²	12,7	17	1770	68,5	91,3	92,5	92,4	0,84	35,6	20,5	2,3	7,4	2,6	0,088	136
17	3SIE160L4 ²	17,3	23,2	1770	93,3	92,6	92,8	93,0	0,84	48,2	27,8	2,7	8,2	3,1	0,104	154
18	3SIE180M4 ²	21,3	28,5	1770	114,9	92,4	92,9	93,6	0,86	57,6	33,2	3,0	8,3	3,6	0,162	190
19	3SIE180L4 ²	25,3	33,9	1770	136,5	91,8	93,3	93,6	0,83	71	40,9	3,2	8,3	3,8	0,185	200
20	3SIE200L4 ²	35	47	1778	188	94,3	94,5	93,9	0,89	91	53	2,2	6,6	2,4	0,38	329
21	3SIE225S4 ²	43	58	1785	230	94,4	94,6	94,2	0,87	114	66	2,0	6,8	2,7	0,51	373
22	3SIE225M4 ²	52	70	1782	279	94,7	94,9	94,5	0,87	138	79	2,0	7,1	2,8	0,59	410
23	3SIE250M4 ²	63	85	1786	337	94,5	94,9	94,7	0,91	159	92	2,5	7,9	2,9	1	520
24	3SIE280S4 ²	86	115	1787	460	94,7	95,2	95,0	0,91	217	125	1,9	6,9	2,4	1,37	710
25	3SIE280M4 ²	104	139	1790	555	94,9	95,4	95,3	0,89	267	154	2,6	8,5	2,9	1,8	761
26	3SIE315S4 ²	127	170	1787	679	94,9	95,2	95,0	0,90	324	186	2,0	6,8	2,1	2,25	920
27	3SIE315M4A ²	152	204	1789	811	95,9	96,0	95,7	0,91	380	219	2,3	8,0	2,6	2,59	1030
28	3SIE315M4B ²	184	247	1790	982	96,3	96,4	96,0	0,90	464	267	2,4	8,7	3,0	2,8	1130
29	3SIE315M4C ²	230	310	1788	1228	95,8	96,2	96,0	0,89		338	2,5	8,2	2,8	3,46	1205
30	3SIE355ML4A	290	390	1788	1548	95,6	96,1	96,2	0,90		420	1,9	7,4	2,2	5,3	1700
31	3SIE355ML4B	365	490	1789	1950	95,8	96,3	96,2	0,90		529	2,0	7,5	2,2	6,4	1830
32	3SIE355H4D	410	550	1790	1894	95,8	96,3	96,2	0,88		526	1,6	8,1	2,3	8,0	2350
33	3SIE355H4E	460	620	1789	2456	95,7	96,3	96,2	0,88		682	1,8	7,0	2,3	9,1	2450
34	3SIE400H4C	520	700	1789	2776	95,6	96,3	96,2	0,87		780	1,6	7,6	2,5	12,3	2920
35	3SIE400H4D	575	770	1790	3068	95,6	96,3	96,2	0,87		862	1,6	7,5	2,6	13,6	3100
36	3SIE400H4E	645	865	1790	3441	95,6	96,3	96,2	0,87		967	1,7	7,6	2,6	15,0	3250
37	3SIE400H4F	690	925	1791	3679	95,6	96,3	96,2	0,87		1035	1,9	8,5	2,9	17,2	3500
38	3SIE450H4B	820	1100	1792	4370	96,0	96,5	96,5	0,87		709 ¹	1,6	7,0	2,5	27,1	4000
39	3SIE450H4C	920	1230	1793	4900	96,0	96,5	96,5	0,88		787 ¹	1,6	6,8	2,6	31,6	4400
40	Sh450H4Ds	1035	1390	1793	5513	96,6	97,0	97,0	0,88		879 ¹	1,5	7,3	2,5	35,4	4620
41	Sh450H4Es	1150	1540	1793	6125	96,8	97,2	97,2	0,89		964 ¹	1,5	7,3	2,5	38	4700
42	Sh500H4Cs	1290	1730	1794	6867	96,7	97,3	97,4	0,87		1104 ¹	0,8	6,9	2,5	58,4	6100
43	Sh500H4Ds	1440	1930	1795	7661	96,7	97,3	97,5	0,87		1231 ¹	0,8	7,5	2,7	65,2	6600
44	Sh500H4Es	1610	2160	1795	8566	97,0	97,5	97,5	0,88		1361 ¹	0,7	6,4	2,4	66,5	6900

¹ – at rated voltage 795V ² – IE3 with standard rated output at 50Hz ³ – IE2 with standard rated output at 50Hz

Totally Enclosed Motors IP 55 $f=60\text{Hz}$ $\text{RPM}=1200 \text{ min}^{-1}$

Item	Type	Rated output		Rated speed	Rated torque	Efficiency			Power factor	Full load current		Locked rotor torque ratio	Locked rotor current ratio	Breakdown torque ratio	Moment of Inertia	Weight (IMB3)	
		P_N	P_N			n_N	T_N	η_N [%]		$\cos \varphi_N$	I_N at rated voltage [A]						I_N at rated voltage [A]
		[kW]	[HP]	[min ⁻¹]	[Nm]	50%	75%	100%	[-]	265V	460V	[-]	[-]	[-]	J	[kgm ²]	[kg]
2p=6 $n_s=1200 \text{ rpm}$																	
1	Sh56-6B	0,07	0,09	1030	0,64	20,0	27,2	32,0	0,65	0,73	0,42	1,7	1,7	1,8	0,00019	2,8	
2	Sh63-6A	0,11	0,14	1040	1,01	39,7	46,3	49,0	0,53	0,9	0,5	1,5	2,0	1,6	0,00024	3,5	
3	2SIE63-6B ³	0,14	0,18	1110	1,2	54,0	60,3	64,0	0,52	0,95	0,55	2,1	2,8	2,5	0,00077	5,9	
4	2SIE71-6A ³	0,21	0,28	1080	1,86	45,7	54,0	58,0	0,65	1,2	0,7	2,3	2,6	2,3	0,00074	5	
5	2SIE71-6B ³	0,29	0,39	1060	2,56	62,2	66,6	66,0	0,69	1,4	0,8	2,3	2,8	2,3	0,00122	6,2	
6	2SIE80-6A ³	0,43	0,58	1100	3,73	70,3	73,8	73,0	0,69	1,9	1,1	2,2	3,3	2,0	0,00207	8,6	
7	2SIE80-6B ³	0,64	0,86	1080	5,66	72,5	74,7	73,1	0,78	2,4	1,4	2,0	3,6	2,2	0,00293	10,8	
8	3SIE90S6 ²	0,86	1,15	1140	7,2	80,8	82,9	82,5	0,70	3,2	1,9	1,7	4,6	2,6	0,0032	16	
9	3SIE90L6 ²	1,27	1,7	1140	10,6	82,2	82,7	82,5	0,71	4,7	2,7	2,0	4,6	2,7	0,009	19	
10	3SIE100L6 ²	1,73	2,3	1155	14,3	81,9	85,7	86,5	0,75	5,8	3,3	2,0	5,8	2,8	0,01	23,5	
11	3SIE112M6 ²	2,53	3,4	1165	20,7	83,9	87,0	87,5	0,77	8,2	4,7	2,1	5,9	2,6	0,0177	34	
12	3SIE132S6 ²	3,45	4,6	1165	28,3	89,1	89,7	89,5	0,81	10,4	6	2,1	6,6	2,9	0,044	54	
13	3SIE132M6A ²	4,6	6,2	1160	37,9	90,1	90,4	89,5	0,82	13,7	7,9	2,2	6,8	3,1	0,0579	62	
14	3SIE132M6B ²	6,3	8,4	1160	51,9	89,8	90,4	89,5	0,81	18,9	10,9	2,4	6,8	3,1	0,0637	66	
15	3SIE160M6 ²	8,6	11,5	1165	70,5	90,3	91,4	91,0	0,82	25,1	14,5	2,3	7,0	2,9	0,102	134	
16	3SIE160L6 ²	12,7	17	1165	104,1	91,1	91,4	91,7	0,81	37,3	21,5	2,1	7,1	3,0	0,123	146	
17	3SIE180L6 ²	17,3	23,2	1175	140,6	90,0	91,5	91,7	0,82	50,1	28,9	3,4	7,5	2,9	0,276	198	
18	3SIE200L6A ²	21	28	1188	169	91,5	92,5	92,5	0,81	61	35	2,1	6,0	2,4	0,5	285	
19	3SIE200L6B ²	25	34	1187	201	91,5	92,6	92,5	0,82	72	41	2,0	5,9	2,1	0,64	309	
20	3SIE225M6 ²	35	47	1189	281	93,1	93,5	93,1	0,83	99	57	1,9	6,6	2,2	0,89	392	
21	3SIE250M6 ²	43	58	1191	345	92,5	93,6	93,6	0,82	122	70	2,0	6,4	2,4	1,23	440	
22	3SIE280S6 ²	52	70	1193	416	92,8	93,7	93,8	0,82	147	85	2,1	7,4	2,4	1,7	635	
23	3SIE280M6 ²	63	85	1192	505	93,9	94,5	94,4	0,82	177	102	2,2	7,0	2,4	1,9	695	
24	3SIE315S6 ²	86	115	1192	689	94,2	94,7	94,6	0,80	248	143	2,4	7,4	2,4	2,4	900	
25	3SIE315M6A ²	104	139	1192	833	94,8	95,3	95,2	0,82	290	167	2,5	7,8	2,5	2,93	965	
26	3SIE315M6B ²	127	170	1192	1018	95,1	95,6	95,4	0,82	354	204	2,8	7,8	2,7	3,46	1110	
27	3SIE315M6C ²	152	204	1192	1218	95,6	96,0	95,7	0,83	417	240	2,5	7,5	2,5	4,21	1230	
28	3SIE315M6D ²	184	247	1192	1474	94,5	95,5	95,7	0,78	537	309	2,8	8,0	2,6	4,36	1235	
29	3SIE355ML6A	230	310	1192	1842	94,8	95,7	95,8	0,86		350	2,0	7,1	2,4	7,2	1740	
30	3SIE355ML6B	290	390	1191	2325	95,2	95,8	95,8	0,86		442	1,9	7,2	2,3	8,6	1950	
31	3SIE355H6C	365	490	1189	2932	95,0	95,8	95,8	0,86		556	1,8	7,1	2,1	12,7	2390	
32	3SIE355H6D	410	550	1191	2847	95,0	95,8	95,8	0,86		541	1,5	7,9	2,2	14,3	2550	
33	3SIE355H6E	460	620	1191	3688	95,5	95,8	95,8	0,85		709	2,2	8,0	2,4	15,3	2600	
34	3SIE400H6C	520	700	1192	4166	95,0	95,8	95,8	0,82		831	1,5	7,5	2,5	19,4	3250	
35	3SIE400H6D	575	770	1192	4607	95,0	95,8	95,8	0,82		919	1,7	8,0	2,6	22,0	3450	
36	3SIE450H6B	645	865	1193	5163	95,4	95,9	95,9	0,86		568 ¹	1,2	6,8	2,6	40,6	4300	
37	3SIE450H6C	725	970	1193	5804	95,5	96,0	96,0	0,87		631 ¹	1,3	7,0	2,6	45,0	4500	
38	3SIE450H6D	820	1100	1194	6559	95,5	96,0	96,1	0,87		712 ¹	1,4	7,4	2,6	50,0	4890	
39	3SIE500H6A	920	1230	1195	7352	95,5	96,2	96,3	0,86		807 ¹	0,9	5,8	2,4	61,5	6200	
40	Sh500H6Bs	1035	1390	1195	8271	96,5	96,9	96,8	0,87		891 ¹	1,0	6,0	2,2	71	6550	
41	Sh500H6Cs	1150	1540	1195	9190	96,2	96,8	96,9	0,86		1001 ¹	1,0	6,4	2,5	75	6700	
42	Sh500H6Ds	1290	1730	1195	10309	96,1	96,8	97,0	0,85		1135 ¹	1,1	7,0	2,6	80	7130	
43	Sh500H6Es	1440	1930	1195	11508	96,2	96,9	97,0	0,85		1267 ¹	1,1	7,1	2,6	84,9	7460	

¹ – at rated voltage 795V ² – IE3 with standard rated output at 50Hz ³ – IE2 with standard rated output at 50Hz

Totally Enclosed Motors IP 55 $f=60\text{Hz}$ $\text{RPM}=900\text{ min}^{-1}$

Item	Type	Rated output		Rated speed	Rated torque	Efficiency			Power factor	Full load current		Locked rotor torque ratio	Locked rotor current ratio	Breakdown torque ratio	Moment of Inertia	Weight (IMB3)	
		P_N	P_N			η_N	η_N	η_N		$\cos \varphi_N$	I_N at rated voltage [A]						I_N at rated voltage [A]
		[kW]	[HP]	$[\text{min}^{-1}]$	[Nm]	50%	75%	100%	[-]	265V	460V	[-]	[-]	[-]	[kgm ²]	[kg]	
						2p=8		$n_s=900\text{ rpm}$									
1	Sh63-8A	0,046	0,062	800	0,55	11,3	16,2	30,0	0,56	0,9	0,5	1,8	1,3	1,7	0,00024	3,5	
2	Sh63-8B	0,07	0,09	790	0,84	10,7	15,3	28,0	0,48	1,1	0,65	1,4	1,4	1,4	0,000307	4,1	
3	Sh71-8A	0,11	0,14	820	1,28	24,1	30,6	35,0	0,50	1,3	0,75	2,2	1,6	2,2	0,000736	4,7	
4	2SIE71-8B ³	0,14	0,18	800	1,67	32,5	41,1	46,0	0,59	1,15	0,65	2,2	1,9	2,0	0,003882	5,6	
5	2SIE80-8A ³	0,21	0,28	850	2,36	51,6	60,7	64,0	0,55	1,4	0,8	2,2	2,9	2,6	0,002933	11	
6	2SIE80-8B ³	0,29	0,39	840	3,3	59,5	67,0	68,0	0,56	1,75	1	2,2	3,0	2,5	0,00345	12,7	
7	2SIE90S8	0,45	0,6	855	5	52,1	59,8	62,0	0,60	2,6	1,5	1,3	3,2	2,1	0,0021	13	
8	2SIE90L8	0,65	0,9	850	7,3	56,5	65,5	66,0	0,59	3,6	2,1	1,4	3,4	2,1	0,0030	16	
9	3SIE100L8A	0,86	1,16	865	9,5	74,2	78,0	78,5	0,63	3,8	2,2	1,4	4,0	2,3	0,0076	19,5	
10	3SIE100L8B	1,27	1,7	850	14,3	78,1	79,6	78,5	0,66	5,3	3,1	1,4	3,7	2,0	0,0122	27	
11	3SIE112M8 ²	1,73	2,32	850	19,4	82,5	83,7	82,5	0,70	6,5	3,8	1,8	4,5	2,6	0,0168	33,5	
12	3SIE132S8 ²	2,53	3,4	860	28,1	83,3	84,7	84,0	0,73	9	5,2	3,4	5,6	3,0	0,0361	46	
13	3SIE132M8 ²	3,45	4,62	860	38,3	84,0	85,2	85,5	0,74	11,9	6,8	2,4	5,6	2,9	0,0489	54	
14	3SIE160M8A ²	4,6	6,2	855	51,4	88,2	88,4	86,5	0,75	15,4	8,9	1,6	4,7	2,5	0,057	106	
15	3SIE160M8B	6,3	8,4	855	70,4	87,7	88,2	86,5	0,75	21,2	12,2	1,8	5,1	2,7	0,078	118	
16	3SIE160L8 ²	8,6	11,5	855	96,4	90,7	90,2	88,5	0,77	27,5	15,8	1,9	5,4	2,5	0,102	132	
17	3SIE180L8	12,7	17	870	139,4	88,3	90,2	89,9	0,77	40	23	1,9	5,5	2,3	0,213	165	
18	3SIE200L8 ²	17	23	875	184	87,9	90,1	89,6	0,77	53,7	31	2,0	6,3	2,8	0,5	200	
19	3SIE225S8 ²	21	28	887	226	91,1	91,5	91,2	0,78	64	37	2,3	6,4	2,2	0,58	315	
20	3SIE225M8 ²	25	34	887	269	90,4	91,5	91,4	0,79	75	43	2,4	6,9	2,0	0,68	350	
21	3SIE250M8 ²	35	47	888	376	91,2	92,1	92,0	0,81	102	59	2,9	7,0	2,4	1,27	460	
22	3SIE280S8 ²	43	58	888	462	91,6	92,2	92,0	0,82	124	72	2,1	5,9	1,9	1,47	600	
23	3SIE280M8 ²	52	70	888	559	92,9	93,6	93,3	0,82	152	87	2,2	6,3	1,9	1,8	640	
24	3SIE315S8 ²	63	85	890	676	92,3	93,3	93,4	0,81	181	105	1,7	6,4	2,6	1,9	850	
25	3SIE315M8A ²	86	115	888	925	93,0	93,8	93,7	0,81	247	142	2,0	6,8	2,6	2,6	960	
26	3SIE315M8B ²	104	139	888	1118	94,0	94,2	93,9	0,81	298	172	2,0	7,2	2,8	3,3	1090	
27	3SIE315M8C	127	170	890	1363	93,0	93,9	93,9	0,79	373	215	2,4	7,3	2,7	4,1	1230	
28	3SIE315M8D	152	204	889	1633	93,5	94,2	94,3	0,81	434	250	2,1	7,0	2,7	4,2	1245	
29	3SIE355ML8A	185	250	889	1987	94,7	95,0	95,0	0,80		306	1,4	5,8	2,0	7,0	1680	
30	3SIE355ML8B	230	310	890	2468	94,7	95,0	95,0	0,80		379	1,7	6,2	2,1	8,3	1750	
31	3SIE355H8D	290	390	890	3112	94,7	95,1	95,1	0,78		491	1,3	6,0	2,0	12,9	2440	
32	3SIE355H8E	362	485	892	3587	94,7	95,1	95,1	0,79		605	1,3	6,0	2,0	16,0	2590	
33	3SIE400H8D	410	550	891	4395	94,7	95,2	95,2	0,77		702	1,2	5,8	2,0	18,8	3200	
34	3SIE400H8E	460	620	891	4930	94,7	95,2	95,2	0,77		788	1,2	5,9	2,0	21,0	3350	
35	3SIE450H8B	520	700	896	5542	94,8	95,3	95,3	0,77		515 ¹	0,9	5,8	2,0	41,6	4400	
36	3SIE450H8C	575	770	896	6129	94,9	95,4	95,4	0,77		569 ¹	1,0	5,8	2,1	46,0	4600	
37	3SIE450H8D	645	865	895	6882	94,9	95,4	95,4	0,78		630 ¹	1,0	5,7	2,1	49,0	4770	
38	3SIE450H8E	725	970	895	7736	95,0	95,5	95,5	0,78		707 ¹	1,0	5,5	2,0	53,8	4980	
39	3SIE500H8B	820	1100	896	8740	95,0	95,5	95,5	0,80		780 ¹	1,1	6,3	2,5	92,4	6680	
40	3SIE500H8C	920	1230	896	9806	95,0	95,5	95,5	0,80		875 ¹	1,1	6,3	2,5	95,8	6800	
41	Sh500H8Ds	1035	1390	896	11032	95,9	96,5	96,6	0,80		971 ¹	1,0	6,0	2,4	108	7240	
42	Sh500H8Es	1150	1540	896	12257	95,8	96,5	96,6	0,80		1079 ¹	1,1	6,5	2,5	118	7570	

¹ – at rated voltage 795V² – IE3 with standard rated output at 50Hz³ – IE2 with standard rated output at 50Hz

Totally Enclosed Motors IP 55 f=60Hz RPM=720 min⁻¹

Item	Type	Rated output		Rated speed	Rated torque	Efficiency			Power factor		Full load current		Locked rotor torque ratio	Locked rotor current ratio	Breakdown torque ratio	Moment of Inertia	Weight (IMB3)
		P _N				η _N [%]	cos φ _N	I _N at rated voltage [A]	T _L /T _N	I _L /I _N	T _B /T _N	J					
		[kW]	[HP]	[min ⁻¹]	[Nm]	50%	75%	100%	[-]	265V	460V	[-]	[-]	[-]	[kgm ²]	[kg]	
2p=10 n_s=720 rpm																	
1	Sh90S-10	0,29	0,38	705	3,9	51,5	55,8	56,4	0,52	1,24	0,72	1,7	2,1	2,0	0,0028	17	
2	Sh90L-10	0,43	0,57	705	5,8	62,3	70,6	64,8	0,56	1,49	0,86	1,8	2,3	2,1	0,003	20	
3	Sg100L-10A	0,64	0,85	680	9	40,5	50,2	56,0	0,45	3,2	1,8	2,6	3,1	2,6	0,009	24	
4	Sg100L-10B	0,86	1,16	670	12,3	44,9	54,5	57,0	0,55	3,4	2	1,9	3,0	2,0	0,01	24,5	
5	Sg112M-10	0,86	1,16	670	12,3	44,7	53,0	72,7	0,67	2,2	1,3	2,4	3,0	2,5	0,0177	33	
6	Sg112M-10A	1,27	1,7	670	18,1	70,1	74,5	74,6	0,65	3,3	1,9	1,3	3,3	1,7	0,018	32	
7	Sg132S-10	1,27	1,7	670	18,1	55,8	69,0	77,9	0,66	3,1	1,8	1,2	3,4	1,6	0,025	52	
8	Sg132S-10A	1,73	2,32	670	24,7	56,0	72,1	74,8	0,61	4,8	2,8	1,3	3,6	2,3	0,032	66	
9	Sg132S-10B	2,53	3,4	670	36,1	47,1	63,5	75,8	0,58	7,2	4,2	1,4	3,9	2,4	0,04	72	
10	Sg160M-10	4,6	6,2	680	64,6	72,7	75,0	76,5	0,57	13,2	7,7	1,6	4,0	2,5	0,096	125	
11	Sg160L-10	6,3	8,4	685	87,8	77,0	79,9	81,8	0,57	17	9,8	1,8	4,7	2,5	0,096	125	
12	Sg180L-10	8,6	11,5	700	117,3	84,1	87,0	87,5	0,62	34,5	19,9	2,2	5,1	2,4	0,22	164	
13	2Sg200L10A	9	12	705	121	84,8	86,3	86,6	0,75	30,2	17,4	2,2	5,2	2,0	0,4	240	
14	2Sg200L10B	13	17	704	176	85,5	87,5	87,5	0,72	45	25,9	2,2	5,0	1,9	0,47	255	
15	2Sg225S10	15	20	712	201	87,3	89,0	90,0	0,68	53	31	2,8	6,0	2,2	0,6	280	
16	2Sg225M10	17	23	711	228	87,5	89,6	89,9	0,69	60	33,5	2,5	5,7	1,9	0,76	315	
17	2Sg250M10	25	34	712	335	88,1	90,2	90,8	0,70	86	49	3,0	6,2	2,1	1,27	430	
18	2Sg280S10A	35	47	704	474	89,7	91,8	91,5	0,72	116	67	1,7	4,3	1,6	1,35	525	
19	2Sg280S10B	43	58	706	581	91,4	91,9	91,4	0,74	139	80	1,8	4,8	1,6	1,61	565	
20	2Sg280M10	52	70	707	702	92,3	92,9	92,4	0,75	163	94	1,9	5,0	1,6	2,03	630	
21	2Sg315S10z	63	85	708	849	90,0	92,0	93,0	0,74	199	115	2,4	5,3	2,0	2,86	840	
22	2Sg315M10	86	115	702	1169	91,8	92,6	92,2	0,74	275	158	1,8	5,1	1,5	3,01	895	
23	Sg355S10A	105	140	712	1408	92,5	93,5	93,5	0,79		178	1,3	5,7	2,1	8,2	1250	
24	Sg355S10B	125	170	712	1677	92,8	93,7	93,7	0,79		212	1,3	5,8	2,3	10,3	1390	
25	Sh355H10As	150	200	712	2012	93,0	93,9	93,8	0,77		261	1,3	5,4	2,0	11	2080	
26	Sh355H10Bs	185	250	712	2480	93,5	94,1	94,0	0,79		313	1,3	5,3	1,9	13	2220	
27	Sh355H10Cs	230	310	712	3085	93,7	94,2	94,1	0,78		393	1,3	5,3	1,9	15,5	2360	
28	Sh400H10Bs	290	390	712	3890	93,9	94,4	94,3	0,80		483	1,1	5,6	2,4	28,5	3170	
29	Sh400H10Cs	362	485	712	4855	94,3	94,7	94,6	0,80		600	1,1	5,7	2,4	32,2	3350	
30	Sh450H10As	410	550	715	5476	94,5	95,1	95,1	0,81		387 ¹	0,7	5,8	2,0	39,0	3850	
31	Sh450H10Bs	460	620	715	6144	94,7	95,3	95,2	0,82		428 ¹	0,7	5,7	2,0	45,0	4050	
32	Sh450H10Cs	520	700	715	6945	94,9	95,4	95,3	0,82		483 ¹	0,7	5,6	2,0	52,0	4280	
33	Sh450H10Ds	575	770	716	7680	94,7	95,3	95,3	0,81		541 ¹	0,8	6,3	2,2	57	4450	
34	Sh450H10Es	645	865	716	8615	94,8	95,4	95,4	0,81		611 ¹	0,8	6,2	2,2	60	4540	
35	Sh500H10Ds	725	970	716	9670	93,9	94,9	95,1	0,81		684 ¹	1,2	6,8	2,1	108	6450	
36	Sh500H10Es	820	1100	716	10937	94,1	95,1	95,2	0,80		782 ¹	1,2	6,7	2,1	117	6680	
37	Sh500H10Fs	920	1230	715	12288	94,2	95,1	95,2	0,80		877 ¹	1,2	6,7	2,1	128	7000	

¹ – at rated voltage 795V

Totally Enclosed Motors IP 55 $f=60\text{Hz}$ $\text{RPM}=600 \text{ min}^{-1}$

Item	Type	Rated output		Rated speed	Rated torque	Efficiency			Power factor	Full load current		Locked rotor torque ratio	Locked rotor current ratio	Breakdown torque ratio	Moment of Inertia	Weight (IMB3)
		P_N	P_N			η_N	η_N	η_N		$\cos \varphi_N$	I_N at rated voltage [A]					
		[kW]	[HP]	$[\text{min}^{-1}]$	[Nm]	50%	75%	100%	[-]	265V	460V	[-]	[-]	[-]	J	[kg]
2p=12 $n_s=600 \text{ rpm}$																
1	Sg100L-12	0,64	0,85	550	11,1	40,5	50,2	56,0	0,54	2,7	1,5	1,3	2,3	1,5	0,009	22
2	Sg112M-12	0,86	1,16	560	14,7	54,0	58,2	64,9	0,49	3,4	2	1,4	3,0	2,5	0,0177	33
3	Sg132S-12	1,27	1,7	555	21,9	62,6	69,0	69,2	0,62	3,7	2,1	1,0	2,7	1,5	0,025	54
4	Sg132M-12	1,73	2,32	555	29,8	70,2	72,1	73,8	0,61	4,8	2,8	1,3	3,1	2,2	0,032	66
5	Sg132M-12B	2,53	3,4	555	43,5	70,7	70,0	71,8	0,56	7,9	4,6	1,1	2,9	1,7	0,04	72
6	Sg160M-12	2,53	3,4	560	43,1	69,7	73,8	75,5	0,51	8,2	4,8	1,3	3,3	2,3	0,072	100
7	Sg160L-12	3,5	4,7	570	58,6	72,5	79,8	82,5	0,52	10,2	5,9	1,5	3,5	2,4	0,096	125
8	Sg180L-12	6,3	8,4	575	104,6	68,7	70,7	74,0	0,60	30,9	17,8	1,1	2,7	1,4	0,22	170
9	2Sg200L12	10	13	587	171	81,9	84,2	84,5	0,63	41	23,6	2,0	4,2	1,9	0,47	255
10	2Sg225S12	13	17	591	202	82,3	85,8	87,3	0,61	53	30,5	2,4	5,0	2,1	0,58	315
11	2Sg225M12	15	20	591	242	87,9	89,4	89,5	0,68	54	31	2,3	4,3	1,8	0,68	350
12	2Sg250M12	21	28	590	340	87,5	89,0	88,8	0,65	79	46	2,4	4,7	1,9	1,27	430
13	2Sg280S12	25	34	591	404	88,6	90,1	90,7	0,60	100	58	2,3	4,8	1,8	1,47	535
14	2Sg280M12	35	47	588	568	86,8	89,4	89,4	0,65	131	76	1,9	4,4	1,6	1,8	570
15	2Sg315S12	43	58	591	695	88,7	90,8	91,5	0,60	171	98	2,5	4,8	1,9	2,29	730
16	2Sg315M12A	52	70	591	840	87,8	90,2	90,9	0,58	215	124	2,5	4,7	1,7	2,86	870
17	2Sg315M12B	63	85	590	1020	86,8	89,7	90,6	0,61	248	143	2,4	4,7	1,6	3,01	885
18	Sg355S12	85	115	591	1374	89,5	91,2	91,2	0,73		142	1,2	4,3	1,9	8,3	1250
19	Sg355S12A	105	140	592	1694	90,0	91,4	91,5	0,73		197	1,2	5,5	2,2	10,4	1390
20	Sg355S12B	125	170	591	2020	90,0	91,5	91,5	0,73		235	1,3	5,1	1,9	12,1	1570
21	Sg355M12	150	200	593	2420	90,5	91,9	92,0	0,73		280	1,2	4,8	1,9	13,1	1730
22	Sh450H12As	185	250	594	2974	93,1	93,8	93,8	0,76		325	0,8	5,6	2,3	30,0	3470
23	Sh450H12Bs	230	310	593	3704	93,1	93,8	93,8	0,76		405	0,9	5,7	2,3	33,7	3600
24	Sh450H12Cs	290	390	591	4686	93,1	93,8	93,8	0,76		511	0,8	5,0	2,1	40,0	3750
25	Sh450H12Ds	365	490	592	5888	93,3	94,0	94,0	0,77		633	0,8	5,1	2,3	34,7	4030
26	Sh450H12Es	410	550	593	6603	93,4	94,1	94,1	0,77		710	0,9	5,6	2,4	41,7	4330
27	Sh450H12Fs	460	620	593	7408	93,6	94,2	94,2	0,77		796	0,9	5,6	2,4	46,3	4530
28	Sh500H12Cs	520	700	594	8360	94,1	94,7	94,7	0,78		884	1,1	6,1	2,5	100	6090
29	Sh500H12Ds	575	770	594	9245	94,2	94,8	94,8	0,78		976	1,1	6,2	2,5	112	6370
30	Sh500H12Es	645	865	594	10370	94,2	94,8	94,8	0,78		1095	1,2	6,5	2,6	125	6680

Totally Enclosed Increased Output Motors IP 55 f=50Hz

Item	Type	Rated output		Rated speed	Rated torque	Efficiency			Power factor			Full load current			Locked rotor torque ratio	Locked rotor current ratio	Breakdown torque ratio	Moment of Inertia	Weight (IMB3)
		P _N [kW]	[HP]	n _N [min ⁻¹]	T _N [Nm]	50%	75%	100%	cos φ _N [-]	I _N at rated voltage [A]			T _L /T _N [-]	I _L /I _N [-]	T _B /T _N [-]	J [kgm ²]	[kg]		
		2p=2 n_s=3000 rpm																	
1	3SIE71x-2C	0,75	1	2880	2,48	74,6	79,0	81,0	0,70	3,3	2	1,9	4,0	7,5	4,2	0,0007	8,1		
2	3SIE80x-2C	1,5	2	2880	4,97	82,4	84,2	84,2	0,82	5,45	3,3	3,15	4,1	8,0	4,0	0,001673	13,2		
3	3SIE90L2A	3	4	2920	9,8	86,7	87,7	87,1	0,85	10,2	6,2	5,8	2,6	9,0	3,9	0,0019	18,5		
4	3SIE100L2A	4	5,5	2920	13,1	88,1	88,8	88,1	0,85	13,4	8,1	7,7	3,2	9,0	4,1	0,0039	30		
5	3SIE112M2A	5,5	7,5	2925	18	88,9	89,8	89,2	0,87	17,8	10,8	10,2	2,0	7,4	3,2	0,0075	39,5		
6	3SIE132M2	9,2	12,3	2935	29,9	90,5	91,2	90,7	0,88	28,9	17,5	16,6	3,2	9,7	3,8	0,02	93		
7	3SIE132M2A	11	15	2925	35,9	91,3	91,9	91,2	0,89	34	20,6	19,6	2,6	8,1	3,8	0,021	96		
8	3SIE160L2A	22	30	2950	71,2	91,9	92,8	92,7	0,89	66,9	40,5	38,5	3,2	9,7	3,8	0,072	148		
9	3SIE200L2C	45	60	2962	145	94,5	94,6	94,0	0,90	134	81	77	2,6	7,3	2,5	0,21	301		
10	3SIE200L2D	55	75	2950	178	95,2	95,2	94,3	0,90	163	98	94	2,3	6,4	2,6	0,24	322		
11	3SIE225M2C	55	75	2970	177	94,8	95,0	94,5	0,89	164	99	94	2,1	7,1	3,1	0,33	425		
12	3SIE250M2C	75	100	2969	241	94,3	94,8	94,7	0,88	226	137	130	2,3	7,2	3,2	0,42	498		
13	3SIE280M2C	110	150	2978	353	95,4	95,6	95,2	0,92	315	191	181	1,9	6,9	2,9	0,98	748		
14	3SIE280M2D	132	175	2977	423	95,8	95,9	95,6	0,92	377	228	217	2,0	7,3	2,7	1,28	864		
		2p=4 n_s=1500 rpm																	
1	3SIE80x-4C	1,1	1,5	1410	7,45	82,0	83,1	84,1	0,69	4,75	2,9	2,75	3,8	5,5	3,2	0,003129	13,3		
2	3SIE100L4C	4	5,5	1460	26,2	87,7	88,9	88,6	0,80	14,2	8,6	8,1	2,6	7,1	3,2	0,0086	34		
3	3SIE112M4A	5,5	7,5	1460	36	89,4	90,2	89,6	0,80	19,3	11,7	11,1	2,5	7,2	3,3	0,0115	35,5		
4	3SIE132M4A	9,2	12,3	1460	60,2	91,0	91,5	91,0	0,83	30,6	18,5	17,6	3,1	9,0	4,1	0,05	93		
5	3SIE132M4B	11	15	1460	72	91,7	92,1	91,4	0,83	36,4	22	20,9	3,2	9,5	4,4	0,057	97		
6	3SIE160L4A	18,5	25	1475	119,8	91,8	92,7	92,6	0,81	61,9	37,5	35,6	2,9	7,7	3,2	0,118	168		
7	3SIE200L4C	37	50	1475	240	93,2	93,5	93,9	0,86	115	70	66	2,3	6,7	2,7	0,38	330		
8	3SIE200L4D	45	60	1481	290	93,5	94,1	94,2	0,85	141	85	81	2,6	7,3	3,3	0,49	367		
9	3SIE225M4C	55	75	1484	354	93,6	94,6	94,6	0,86	170	103	98	2,1	7,1	2,9	0,66	431		
10	3SIE250M4C	75	100	1483	483	94,5	94,9	95,0	0,90	220	133	127	2,3	6,8	3,0	1,15	553		
11	3SIE280M4C	110	150	1488	706	95,1	95,5	95,4	0,90	322	195	185	2,0	6,6	2,4	2,25	839		

Totally Enclosed Increased Output Motors IP 55 $f=50\text{Hz}$

Item	Type	Rated output		Rated speed	Rated torque	Efficiency			Power factor			Full load current			Locked rotor torque ratio	Locked rotor current ratio	Breakdown torque ratio	Moment of Inertia	Weight (IMB3)
		P_N	η_N			T_N	$\eta_N[\%]$	$\cos \varphi_N$	I_N at rated voltage [A]	T_L/T_N	I_L/I_N	T_B/T_N	J						
		[kW]	[HP]	$[\text{min}^{-1}]$	[Nm]	50%	75%	100%	[-]	230V	380V	400V	[-]	[-]	[-]	[kgm ²]	[kg]		
		2p=6			$n_s=1000$ rpm														
1	3SIE90L6A	1,5	2	940	15,2	82,0	83,2	82,5	0,71	6,4	3,9	3,7	1,7	5,0	2,7	0,009	18,5		
2	3SIE100L6A	2,2	3	960	21,9	82,7	84,6	84,3	0,73	9	5,4	5,2	2,0	6,2	3,0	0,01	26		
3	3SIE112M6A	3	4	960	29,8	86,0	86,7	85,6	0,75	11,7	7,1	6,7	1,5	5,5	2,3	0,0177	36		
4	3SIE132M6C	7,5	10	965	74,2	88,4	89,5	89,1	0,76	27,8	16,8	16	3,3	7,8	3,8	0,0637	66		
5	3SIE225M6C	37	50	991	357	91,8	92,8	93,9	0,77	128	78	74	2,4	8,6	2,6	1,09	432		
6	3SIE250M6C	45	60	992	433	93,2	93,8	93,7	0,82	147	89	85	2,0	6,9	2,6	1,55	489		
7	3SIE280M6C	75	100	992	722	94,6	95,0	94,7	0,82	242	147	139	2,4	7,1	2,6	2,4	785		
		2p=8			$n_s=750$ rpm														
1	Sh63X-8C	0,075	0,11	650	1,1	11,5	16,4	30,0	0,50	1,35	0,82	0,78	1,6	1,5	1,6	0,000422	5		
2	3SIE180L8A	15	20	730	146	89,3	90,2	89,6	0,76	55,3	33,5	31,8	2,0	6,1	2,7	0,501	200		
		2p=10			$n_s=600$ rpm														
1	2Sg225M10z	18,5	25	590	299	84,3	87,1	87,7	0,64	83	50	48	2,8	5,5	2,1	0,76	325		
		2p=12			$n_s=500$ rpm														
1	2Sg200L12z	11	15	487	216	83,5	84,5	85,0	0,61	53	32	31	2,5	4,2	1,9	0,53	320		
2	2Sg225M12z	15	20	491	290	80,5	83,5	84,4	0,58	77	47	44	2,7	4,6	1,8	0,68	350		

Totally Enclosed Increased Output Motors IP 55 f=60Hz

Item	Type	Rated output		Rated speed	Rated torque		Efficiency			Power factor			Full load current			Locked rotor torque ratio	Locked rotor current ratio	Breakdown torque ratio	Moment of Inertia	Weight (IMB3)
		P_N	n_N	T_N	η_N [%]	$\cos \varphi_N$	I_N at rated voltage [A]		T_L/T_N	I_L/I_N	T_B/T_N	J								
		[kW]	[HP]	[min ⁻¹]	[Nm]	50%	75%	100%	[-]	230V	380V	400V	[-]	[-]	[-]	[kgm ²]	[kg]			
		2p=2 n_s=3600 rpm																		
1	3SIE71x-2C	0,75	1	3460	2,07	76,0	80,5	77,0	0,76	3,3	2	1,9	4,9	7,5	5,1	0,0007	8,1			
2	3SIE80x-2C	1,5	2	3460	4,14	83,6	85,5	85,5	0,80	5,45	3,3	3,15	4,8	8,0	4,7	0,001673	13,2			
3	3SIE90L2A	3	4	3515	8,2	86,0	88,3	88,5	0,86	9,9	6	5,7	2,7	9,8	4,2	0,0019	18,5			
4	3SIE100L2A	4	5,5	3525	10,8	86,9	88,4	88,5	0,87	13	7,9	7,5	3,3	9,7	4,3	0,0039	30			
5	3SIE112M2A ¹	5,5	7,5	3535	14,9	85,8	88,6	89,5	0,87	17,7	10,7	10,2	2,0	8,3	3,1	0,0075	39,5			
6	3SIE132M2	9,2	12,3	3535	24,9	90,3	91,5	91,0	0,87	29,2	17,7	16,8	3,6	9,9	4,6	0,02	93			
7	3SIE132M2A	11	15	3530	29,8	90,9	91,7	91,0	0,88	34,5	20,9	19,8	3,1	8,9	4,3	0,021	96			
8	3SIE160L2A	22	30	3550	59,2	90,8	92,2	91,7	0,90	66,9	40,5	38,5	3,5	10,1	4,2	0,072	148			
9	3SIE200L2C	45	60	3562	121	93,6	94,0	93,6	0,90	134	81	77	2,5	7,6	2,8	0,21	301			
10	3SIE200L2D	55	75	3549	148	93,6	94,0	93,6	0,90	164	99	94	2,3	6,8	2,7	0,24	322			
11	3SIE225M2C	55	75	3570	147	93,4	93,8	93,6	0,89	166	100	95	2,1	7,4	3,2	0,33	425			
12	3SIE250M2C	75	100	3567	201	93,7	94,3	94,1	0,89	225	136	129	2,2	7,3	3,3	0,42	498			
13	3SIE280M2C	110	150	3579	294	94,8	95,2	95,0	0,91	319	193	184	2,0	7,9	3,1	0,98	748			
14	3SIE280M2D	132	175	3577	352	95,3	95,6	95,4	0,92	378	229	217	1,9	7,6	2,7	1,28	864			
		2p=4 n_s=1800 rpm																		
1	3SIE80x-4C	1,1	1,5	1690	6,2	84,2	85,4	86,5	0,62	4,75	2,9	2,75	4,4	5,5	3,7	0,003129	13,3			
2	3SIE100L4C	4	5,5	1760	21,7	87,7	89,6	89,5	0,79	14,2	8,6	8,2	3,0	7,9	3,6	0,0086	34			
3	3SIE112M4A ¹	5,5	7,5	1765	29,8	88,1	89,8	90,0	0,80	19,2	11,6	11	2,8	7,9	3,6	0,0115	35,5			
4	3SIE132M4A	9,2	12,3	1760	49,9	91,2	91,9	91,7	0,82	30,7	18,6	17,7	4,2	10,9	4,5	0,05	93			
5	3SIE132M4B ¹	11	15	1760	59,7	91,5	91,8	91,0	0,82	37	22,4	21,3	4,3	11,1	4,7	0,057	97			
6	3SIE160L4A	18,5	25	1775	99,5	92,2	93,2	93,0	0,80	62,4	37,8	35,9	3,3	8,6	3,6	0,118	168			
7	3SIE200L4C	37	50	1775	199	94,6	95,0	94,5	0,87	113	68	65	2,4	6,9	2,7	0,38	330			
8	3SIE200L4D	45	60	1780	241	94,9	95,3	95,0	0,87	137	83	79	2,7	7,5	3,2	0,49	367			
9	3SIE225M4C	55	75	1784	294	95,5	95,8	95,4	0,87	166	101	96	2,1	7,3	3,0	0,66	431			
10	3SIE250M4C	75	100	1783	402	95,4	95,9	95,4	0,90	219	133	126	2,3	7,0	3,0	1,15	553			
11	3SIE280M4C	110	150	1788	587	95,7	96,0	95,8	0,91	317	192	182	2,1	7,0	2,2	2,25	839			

¹ – IE3 with standard rated output at 50Hz

Totally Enclosed Increased Output Motors IP 55 f=60Hz

Item	Type	Rated output		Rated speed	Rated torque	Efficiency			Power factor	Full load current			Locked rotor torque ratio	Locked rotor current ratio	Breakdown torque ratio	Moment of Inertia	Weight (IMB3)
		P_N	η_N			T_N	η_N [%]	$\cos \varphi_N$		I_N at rated voltage [A]							
		[kW]	[HP]	[min ⁻¹]	[Nm]	50%	75%	100%	[-]	230V	380V	400V	T_L/T_N	I_L/I_N	T_B/T_N	J	[kg]
		2p=6			$n_s=1200$ rpm												
1	3SIE90L6A ¹	1,5	2	1145	12,5	80,0	83,0	83,5	0,71	6,4	3,8	3,7	1,7	5,4	2,8	0,009	18,5
2	3SIE100L6A ¹	2,2	3	1170	21,7	84,3	87,1	87,5	0,73	8,6	5,2	5	2,0	6,4	3,0	0,01	26
3	3SIE112M6A ¹	3	4	1165	24,6	86,4	87,9	87,5	0,73	11,8	7,1	6,8	1,8	6,3	2,7	0,0177	36
4	3SIE132M6C ¹	7,5	10	1158	61,9	88,5	89,5	89,5	0,74	28,4	17,2	16,3	3,8	8,5	4,1	0,0637	66
5	3SIE225M6C	37	50	1192	296	93,2	94,2	94,1	0,80	123	75	71	2,2	7,8	2,6	1,09	432
6	3SIE250M6C	45	60	1192	361	94,0	94,7	94,5	0,81	148	89	85	2,4	7,4	2,7	1,55	489
7	3SIE280M6C	75	100	1192	601	94,7	95,1	95,0	0,82	242	146	139	2,2	7,1	2,3	2,4	785
		2p=8			$n_s=900$ rpm												
1	Sh63X-8C	0,075	0,11	780	0,92	11,1	15,8	29,0	0,48	1,35	0,82	0,78	1,9	1,7	1,9	0,000422	5
2	3SIE180L8A	15	20	880	162	89,7	89,2	90,2	0,76	54,9	33,2	31,6	2,2	7,0	3,1	0,501	200
		2p=10			$n_s=720$ rpm												
1	2Sg225M10z	18,5	25	711	248	87,1	89,4	89,9	0,65	79	48	46	2,7	6,2	2,1	0,76	325
		2p=12			$n_s=600$ rpm												
1	2Sg200L12z	11	15	588	179	82,9	84,7	85,2	0,64	51	30,5	29,1	2,5	4,6	2,0	0,53	320
2	2Sg225M12z	15	20	592	242	84,6	86,7	87,1	0,69	63	38	36	1,8	3,8	1,5	0,68	350

¹ – IE3 with standard rated output at 50Hz

Totally Enclosed Increased Output Motors IP 55 f=60Hz

Item	Type	Rated output		Rated speed	Rated torque			Efficiency			Power factor		Full load current		Locked rotor torque ratio	Locked rotor current ratio	Breakdown torque ratio	Moment of Inertia	Weight (IMB3)
		P_N	P_N	n_N	T_N	$\eta_{50\%}$	$\eta_{75\%}$	$\eta_{100\%}$	$\cos \varphi_N$	I_N at rated voltage [A]		T_L/T_N	I_L/I_N	T_B/T_N	J				
		[kW]	[HP]	[min ⁻¹]	[Nm]	50%	75%	100%	[-]	265V	460V	[-]	[-]	[-]	[kgm ²]	[kg]			
		2p=2 n_s=3600 rpm																	
1	3SIE71x-2C	0,87	1,17	3460	2,4	74,6	79,0	80,0	0,70	3,3	1,9	4,0	7,5	4,2	0,0007	8,1			
2	3SIE80x-2C	1,74	2,3	3460	4,8	83,6	85,5	85,5	0,82	5,45	3,15	4,1	8,0	4,0	0,001673	13,2			
3	3SIE90L2A	3,45	4,6	3510	9,4	86,0	88,3	88,5	0,86	9,9	5,7	2,7	9,1	4,0	0,0019	18,5			
4	3SIE100L2A	4,6	6,2	3520	12,5	87,2	88,6	88,5	0,87	13	7,5	3,2	9,5	4,2	0,0039	30			
5	3SIE112M2A ¹	6,3	8,4	3530	17	86,3	87,9	89,5	0,87	17,6	10,2	2,1	7,8	3,2	0,0075	39,5			
6	3SIE132M2 ¹	10,6	14,2	3525	28,7	90,6	91,3	91,0	0,88	28,8	16,6	3,1	9,2	4,0	0,02	93			
7	3SIE132M2A ¹	12,7	17	3520	34,5	90,2	91,3	91,0	0,89	34,2	19,7	2,7	8,0	3,7	0,021	96			
8	3SIE160L2A	25,3	34	3545	68,2	91,4	92,0	91,7	0,89	67,5	38,9	3,2	9,8	4,0	0,072	148			
9	3SIE200L2C ¹	52	70	3561	140	93,3	93,7	93,3	0,90	135	78	2,4	7,3	2,7	0,21	301			
10	3SIE200L2D ¹	63	85	3546	170	93,5	93,9	93,5	0,90	163	94	2,2	6,5	2,6	0,24	322			
11	3SIE225M2C ¹	63	85	3569	169	93,7	93,9	93,5	0,89	165	95	2,1	7,1	3,0	0,33	425			
12	3SIE250M2C ¹	86	115	3567	230	94,6	95,0	94,8	0,88	225	129	2,2	7,3	3,3	0,42	498			
13	3SIE280M2C ¹	127	170	3579	339	94,7	95,1	94,9	0,91	320	185	1,7	6,9	2,7	0,98	748			
14	3SIE280M2D ¹	152	204	3576	406	95,1	95,4	95,2	0,92	378	218	1,9	7,3	2,6	1,28	864			
		2p=4 n_s=1800 rpm																	
1	3SIE80x-4C	1,3	1,74	1690	7,35	84,2	85,4	86,5	0,69	4,75	2,75	3,8	5,5	3,2	0,003129	13,3			
2	3SIE100L4C ¹	4,6	6,2	1755	25	88,1	89,1	88,5	0,82	13,8	8	2,7	7,4	3,3	0,0086	34			
3	3SIE112M4A ¹	6,3	8,4	1760	34,2	89,2	90,3	90,2	0,80	19	11	2,6	7,5	3,4	0,0115	35,5			
4	3SIE132M4A ¹	10,6	14,2	1755	57,7	91,3	91,8	91,0	0,83	30,6	17,6	3,5	9,5	3,9	0,05	93			
5	3SIE132M4B ¹	12,7	17	1755	69,1	91,1	91,4	91,0	0,83	36,6	21,1	3,7	9,7	4,1	0,057	97			
6	3SIE160L4A	21,3	28,5	1770	114,9	92,4	93,0	93,0	0,81	61,6	35,5	3,0	7,8	3,3	0,118	168			
7	3SIE200L4C ¹	43	58	1774	231	93,7	94,1	93,6	0,87	115	66	2,3	6,8	2,6	0,38	330			
8	3SIE200L4D ¹	52	70	1780	279	94,3	94,7	94,4	0,86	140	80	2,7	7,5	3,2	0,49	367			
9	3SIE225M4C ¹	63	85	1783	337	95,0	95,3	94,9	0,87	166	96	2,2	7,1	2,9	0,66	431			
10	3SIE250M4C ¹	86	115	1783	461	94,4	95,2	94,7	0,90	220	127	2,3	6,9	3,0	1,15	553			
11	3SIE280M4C ¹	127	170	1787	679	94,9	95,2	95,0	0,90	324	186	2,0	6,8	2,1	2,25	839			

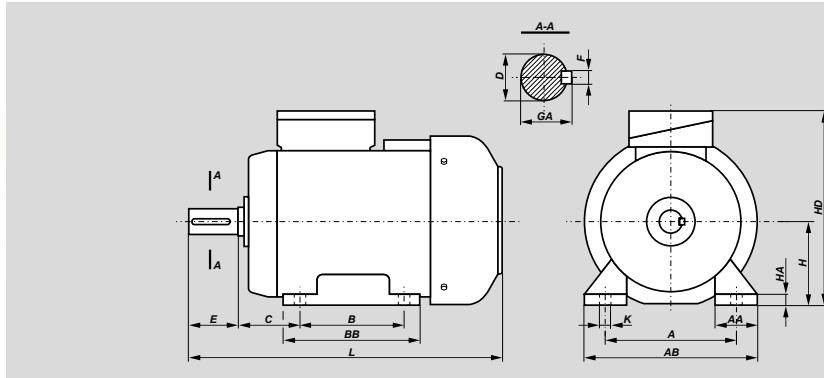
¹ – IE3 with standard rated output at 50Hz

Totally Enclosed Increased Output Motors IP 55 $f=60\text{Hz}$

Item	Type	Rated output		Rated speed	Rated torque	Efficiency			Power factor		Full load current		Locked rotor torque ratio	Locked rotor current ratio	Breakdown torque ratio	Moment of Inertia	Weight (IMB3)
		P_N	P_N	n_N	T_N	η_N [%]	$\cos \varphi_N$	I_N at rated voltage [A]	T_L/T_N	I_L/I_N	T_B/T_N	J	[kg]				
		[kW]	[HP]	[min ⁻¹]	[Nm]	50%	75%	100%	[-]	265V	460V	[-]	[-]	[-]	[kgm ²]	[kg]	
2p=6 $n_s=1200\text{ rpm}$																	
1	3SIE90L6A ¹	1,73	2,3	1140	14,5	80,1	82,8	83,0	0,73	6,2	3,6	1,7	5,2	2,7	0,009	18,5	
2	3SIE100L6A ¹	2,53	3,4	1160	25	85,6	87,7	87,5	0,73	8,6	5	2,1	6,6	3,1	0,01	26	
3	3SIE112M6A ¹	3,45	4,6	1160	28,4	87,9	88,3	87,5	0,74	11,6	6,7	1,6	5,7	2,4	0,0177	36	
4	3SIE132M6C ¹	8,6	11,5	1150	71,4	88,6	89,7	89,5	0,76	27,5	15,9	3,4	7,9	3,8	0,0637	66	
5	3SIE225M6C ¹	43	58	1191	345	92,7	93,7	93,6	0,79	127	73	2,4	8,7	2,5	1,09	432	
6	3SIE250M6C ¹	52	70	1191	417	93,4	94,1	93,7	0,81	149	86	2,2	6,9	2,5	1,55	489	
7	3SIE280M6C ¹	86	115	1192	689	94,2	94,7	94,6	0,80	248	143	2,4	7,4	2,4	2,4	785	
2p=8 $n_s=900\text{ rpm}$																	
1	Sh63X-8C	0,086	0,12	780	1,05	11,5	16,4	30,0	0,50	1,35	0,78	1,6	1,5	1,6	0,000422	5	
2	3SIE180L8A	17	23	875	184	87,9	90,1	89,6	0,77	53,7	31,0	2,0	6,3	2,8	0,501	200	
2p=10 $n_s=720\text{ rpm}$																	
1	2Sg225M10z	21	29	711	281	87,6	90,0	90,5	0,65	78	45	2,7	6,1	2,0	0,76	325	
2p=12 $n_s=600\text{ rpm}$																	
1	2Sg200L12z	13	17	587	203	83,5	86,0	86,4	0,62	53	30,5	2,1	4,4	1,8	0,53	320	
2	2Sg225M12z	17	23	591	283	88,0	89,6	89,7	0,69	60	34	2,3	4,1	1,7	0,68	350	

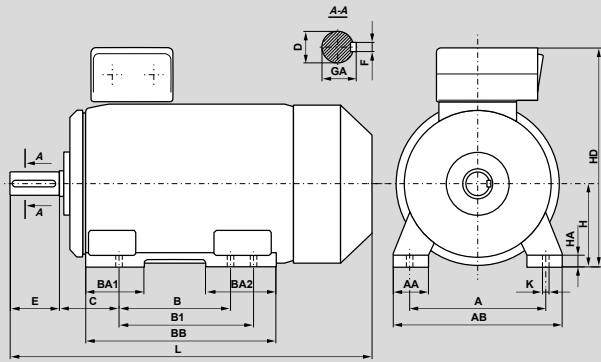
¹ – IE3 with standard rated output at 50Hz

Dimensions of Foot Mounted Motors – IM B3



Motor type	A	B	C	D	E	F	GA	H	K	AA	AB	BB	HA	HD	L
Sh56-.A	90	71	36	9j6	20	3h9	10,2	56	5,8	30	110	92	7	154	183
2SIE56-2B	90	71	36	9j6	20	3h9	10,2	56	5,8	30	110	92	7	154	193
2SIE63-.A	100	80	40	11j6	23	4h9	12,5	63	7	36	124	106	8,5	165	200
2SIE63-2,4B	100	80	40	11j6	23	4h9	12,5	63	7	36	124	106	8,5	165	210
2SIE63-6B	100	80	40	11j6	23	4h9	12,5	63	7	36	124	106	8,5	165	245
2SIE71-2,4A	112	90	45	14j6	30	5h9	16	71	7	45	142	116	8	182	245
2SIE71-2B	112	90	45	14j6	30	5h9	16	71	7	45	142	116	8	182	245
2SIE71-4,6B	112	90	45	14j6	30	5h9	16	71	7	45	142	116	8	182	263
2SIE71-6A	112	90	45	14j6	30	5h9	16	71	7	45	142	116	8	182	223
2SIE71-8B	112	90	45	14j6	30	5h9	16	71	7	45	142	116	8	182	284
2SIE80-4A	125	100	50	19j6	40	6h9	21,5	80	10	55	160	130	9	200	266
2SIE80-6A	125	100	50	19j6	40	6h9	21,5	80	10	55	160	130	9	200	278
2SIE80-6B	125	100	50	19j6	40	6h9	21,5	80	10	55	160	130	9	200	306
2SIE80-8A	125	100	50	19j6	40	6h9	21,5	80	10	55	160	130	9	200	306
2SIE80-8B	125	100	50	19j6	40	6h9	21,5	80	10	55	160	130	9	200	318
3SIE80-.A	125	100	50	19j6	40	6h9	21,5	80	10	55	160	130	9	199	278
3SIE80-.B	125	100	50	19j6	40	6h9	21,5	80	10	55	160	130	9	199	306
2,3SIE90S-2, 4, 6, 8	140	100	56	24j6	50	8h9	27	90	10	47	182	153	10	238	331
2,3SIE90L-2, 8	140	125	56	24j6	50	8h9	27	90	10	47	182	153	10	238	331
3SIE90L-4, 6	140	125	56	24j6	50	8h9	27	90	10	47	182	153	10	238	356
3SIE100L-2, 6, 8A	160	140	63	28j6	60	8h9	31	100	12	52	202	170	12	257	377
3SIE100L-4A, 4B, 8B	160	140	63	28j6	60	8h9	31	100	12	52	202	170	12	257	417
3SIE112M-2, 6, 8	190	140	70	28j6	60	8h9	31	112	12	52	222	170	14	280	398
3SIE112M-4	190	140	70	28j6	60	8h9	31	112	12	52	222	170	14	280	425
3SIE132S	216	140	89	38k6	80	10h9	41	132	12	61	266	220	18	329	512
3SIE132M	216	178	89	38k6	80	10h9	41	132	12	61	266	220	18	329	512
3SIE160M	254	210	108	42k6	110	12h9	45	160	15	81	320	300	25	383	643
3SIE160L	254	254	108	42k6	110	12h9	45	160	15	81	320	300	25	383	643
3SIE180M-2, 4	279	241	121	48k6	110	14h9	51,5	180	15	92	353	320	27	414	723
3SIE180L-4, 6, 8	279	279	121	48k6	110	14h9	51,5	180	15	92	353	320	27	414	723
3SIE200L-8	318	305	133	55m6	110	16h9	59	200	19	90	400	365	35	433	723

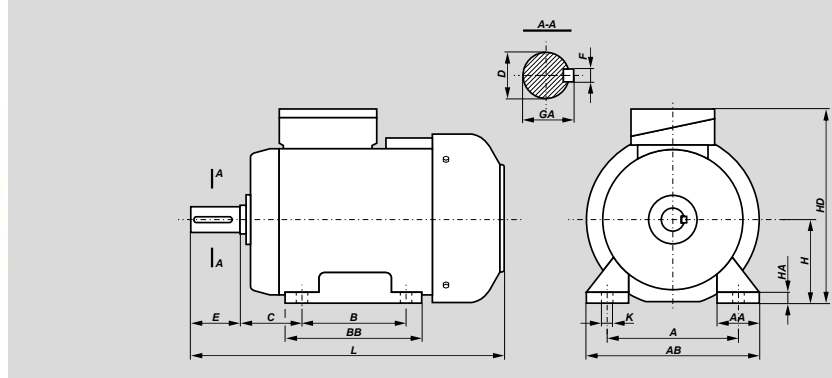
Dimensions of Foot Mounted Motors – IM B3



Motor type	A	B	B1	C	D	E	F	GA	H	HA	K	AA	AB	BA1	BA2	BB	HD	L
3SIE200L2-6	318	305	—	133	55m6	110	16h9	59	200	32	19	80	400	113	113	380	520	850
3SIE225S	356	286	311	149	60m6	140	18h9	64	225	34	19	85	440	115	115	380	570	930
3SIE225M2	356	286	311	149	55m6	110	16h9	59	225	34	19	85	440	115	115	380	570	900
3SIE225M4-8	356	286	311	149	60m6	140	18h9	64	225	34	19	85	440	115	115	380	570	930
3SIE250M2	406	349	—	168	60m6	140	18h9	64	250	37	24	90	480	135	135	445	635	1010
3SIE250M4-8	406	349	—	168	65m6	140	18h9	69	250	37	24	90	480	135	135	445	635	1040
3SIE280S2	457	368	419	190	65m6	140	18h9	69	280	40	24	105	550	130	165	520	720	1135
3SIE280S4-8	457	368	419	190	75m6	140	20h9	79.5	280	40	24	105	550	130	165	520	720	1135
3SIE280M2	457	368	419	190	65m6	140	18h9	69	280	40	24	105	550	130	165	520	720	1135
3SIE280M4-8	457	368	419	190	75m6	140	20h9	79.5	280	40	24	105	550	130	165	520	720	1135
3SIE315S2	508	406	457	216	65m6	140	18h9	69	315	48	28	120	610	160	160	565	805	1235
3SIE315S4-8	508	406	457	216	80m6	170	22h9	85	315	48	28	120	610	160	160	565	805	1265
3SIE315M2A;B	508	406	457	216	65m6	140	18h9	69	315	48	28	120	610	160	160	565	805	1235
3SIE315M4A;B;6A;8A;(B)	508	406	457	216	80m6	170	22h9	85	315	48	28	120	610	160	160	565	805	1265
3SIE315M6B	508	406	457	216	80m6	170	22h9	85	315	48	28	135	610	135	205	600	805	1355
3SIE315M2C	508	406	457	216	70m6	140	20h9	74.5	315	48	28	135	610	135	205	600	805	1290
3SIE315M4C	508	406	457	216	80m6	170	22h9	85	315	48	28	135	610	135	205	600	805	1320
3SIE315M6C	508	406	457	216	80m6	170	22h9	85	315	48	28	135	610	135	205	600	805	1320
3SIE315M6D	508	406	457	216	90m6	170	25h9	95	315	48	28	135	610	135	205	600	805	1320
3SIE315M8C;8D	508	406	457	216	90m6	170	25h9	95	315	48	28	135	610	135	205	600	805	1385
3SIE355ML (2)	610	560	630	254	80m6	170	22h9	85	355	50	28	150	720	250	300	890	935	1580
3SIE355ML (4-8)	610	560	630	254	100m6	210	28h9	106	355	50	28	150	720	250	300	890	935	1620
3SIE355H (2)	610	900	—	200	70m6	140	20h9	74.5	355	45	28	160	730	265	265	1045	995	1800
3SIE355H (4-8)	610	900	—	200	100m6	210	28h9	106	355	45	28	160	730	265	265	1045	995	1870

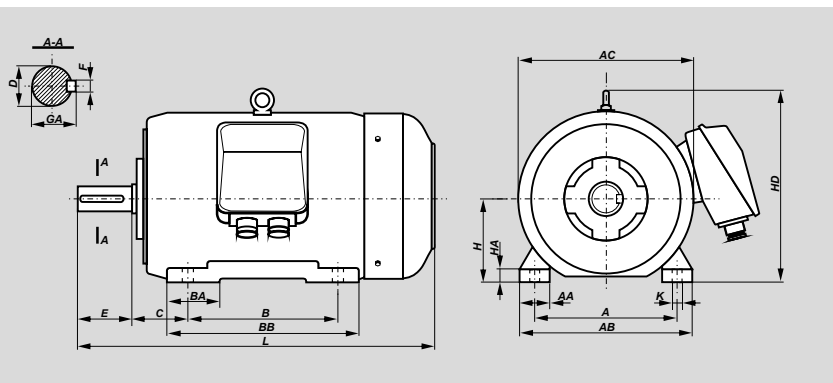
Dimensions of Foot Mounted Motors – IM B3

Motors series Sh and Sg • 2p=10, 12

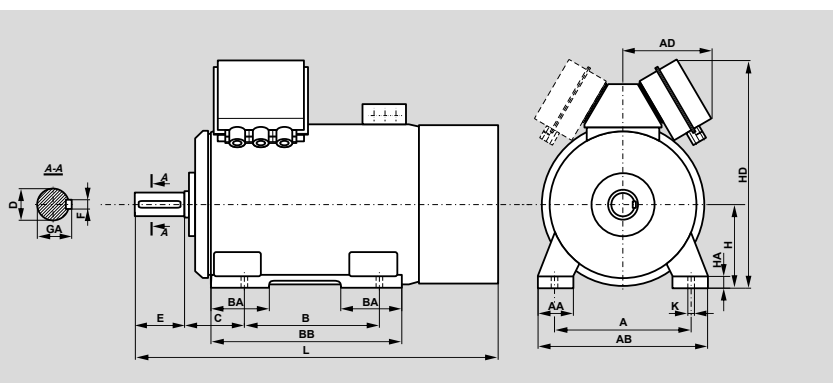


Type of motor	A	B	C	D	E	F	GA	H	HA	K	AA	AB	BB	HD	L
Sh90S-10	140	100	56	24j6	50	8h9	27	90	10	10	50	170	153	220	305
Sh90L-10	140	125	56	24j6	50	8h9	27	90	10	10	50	170	153	220	330
Sg100L-10A	160	140	63	28j6	60	8h9	31	100	14	12	45	200	172	240	376
Sg100L-10B	160	140	63	28j6	60	8h9	31	100	14	12	45	200	172	240	376
Sg112M-10	190	140	70	28j6	60	8h9	31	112	14	12	54	230	174	276	384
Sg112M-10A	190	140	70	28j6	60	8h9	31	112	14	12	54	230	174	276	384
Sg132S-10	216	140	89	38k6	80	10h9	41	132	16	12	56	278	182	310	463
Sg132S-10A	216	140	89	38k6	80	10h9	41	132	16	12	56	278	182	310	463
Sg132S-10B	216	140	89	38k6	80	10h9	41	132	16	12	56	278	182	310	463
Sg160L-10	254	254	108	42k6	110	12h9	45	160	20	15	60	305	300	370	656
Sg180L-10	279	279	121	48k6	110	14h9	51,5	180	26	15	70	350	320	408	705
Sg100L-12	160	140	63	28j6	60	8h9	31	100	14	12	45	200	172	240	376
Sg112M-12	190	140	70	28j6	60	8h9	31	112	14	12	54	230	174	276	384
Sg132S-12	216	140	89	38k6	80	10h9	41	132	16	12	56	278	182	310	463
Sg132M-12	216	178	89	38k6	80	10h9	41	132	16	12	56	278	182	310	501
Sg132M-12B	216	178	89	38k6	80	10h9	41	132	16	12	56	278	220	310	501
Sg160M-12	254	210	108	42k6	110	12h9	45	160	20	15	60	305	256	370	612
Sg160L-12	254	254	108	42k6	110	12h9	45	160	20	15	60	305	300	370	656
Sg180L-12	279	279	121	48k6	110	14h9	51,5	180	26	15	70	350	320	408	705

Dimensions of Foot Mounted Motors – IM B3

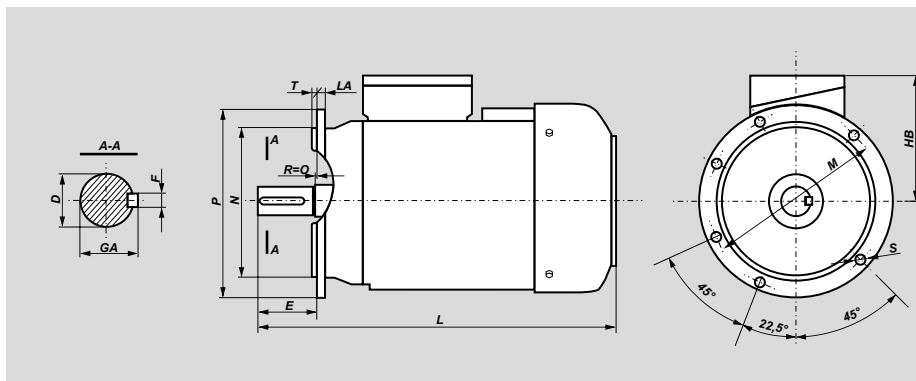


Motor type	A	B	C	D	E	F	GA	H	HA	K	AA	AB	AC	BA	BB	HD	L
2Sg200L10-12	318	305	133	55m6	110	16h9	59	200	32	19	80	400	450	100	380	485	825
2Sg225S10-12	356	286	149	60m6	140	18h9	64	225	34	19	85	445	505	110	355	535	865
2Sg225M10-12	356	311	149	60m6	140	18h9	64	225	34	19	85	445	505	110	380	535	890
2Sg250M10-12	406	349	168	65m6	140	18h9	69	250	36	24	90	495	540	120	420	590	965
2Sg280S10-12	457	368	190	75m6	140	20h9	79,5	280	40	24	100	560	620	165	520	660	1040
2Sg280M10-12	457	419	190	75m6	140	20h9	79,5	280	40	24	100	560	620	165	520	660	1040
2Sg315S10-12	508	406	216	80m6	170	22h9	85	315	46	28	105	610	620	190	560	695	1210
2Sg315M10-12	508	457	216	80m6	170	22h9	85	315	46	28	105	610	620	190	560	695	1210



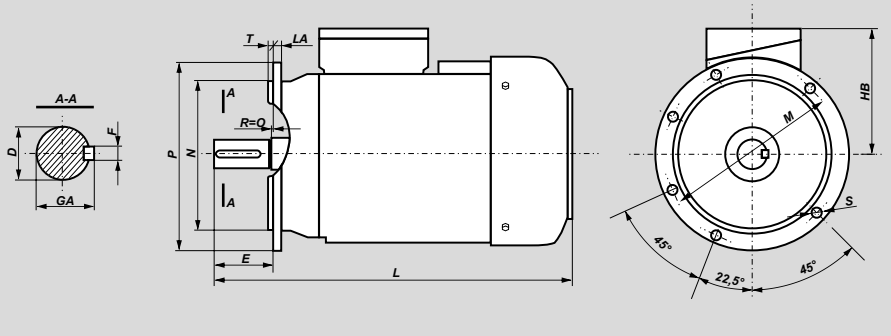
Motor type	Poles	A	B	C	D	E	F	GA	H	HA	K	AA	AB	AD	BA	BB	HD	L
3SIE355...s	2	610	900	200	70m6	140	20h9	74,5	355	45	28	160	730	-	265	1045	995	1800
3SIE355...s	4÷8	610	900	200	100m6	210	28h9	106	355	45	28	160	730	-	265	1045	995	1870
3SIE400...s	2	686	1000	224	80m6	170	22h9	85	400	50	35	175	840	520	265	1160	1255	1980
3SIE/Sh400...s	4÷10	686	1000	224	110m6	210	28h9	116	400	50	35	175	840	520	265	1160	1255	1960
3SIE450...s	2	750	1120	254	80m6	170	22h9	85	450	60	35	205	940	560	340	1320	1356	2155
3SIE/Sh450...s	4÷12	750	1120	254	110m6	210	28h9	116	450	60	35	205	940	560	340	1320	1356	2105
3SIE500...s	2	850	1250	450	90m6	170	25h9	95	500	70	42	223	1050	560	300	1450	1470	2758
3SIE/Sh500...s	4÷12	850	1250	280	120m6	210	32h9	127	500	70	42	223	1050	560	300	1450	1470	2430

Dimensions of Flange Mounted Motors – IM B5, IM V1



Motor type	D	E	F	GA	M	N	P	LA	T	HB	L	S (f)	S (holes)
SKh56-A	9j6	20	3h9	10,2	100	80j6	120	8	3	98	183	7	4
2SIEK56-2B	9j6	20	3h9	10,2	100	80j6	120	8	3	98	193	7	4
2SIEK63-A	11j6	23	4h9	12,5	115	95j6	140	9	3	102	200	10	4
2SIEK63-2, 4B	11j6	23	4h9	12,5	115	95j6	140	9	3	102	210	10	4
2SIEK63-6B	11j6	23	4h9	12,5	115	95j6	140	9	3	102	245	10	4
2SIEK71-2, 4A	14j6	30	5h9	16	130	110j6	160	9	3,5	111	245	10	4
2SIEK71-2B	14j6	30	5h9	16	130	110j6	160	9	3,5	111	245	10	4
2SIEK71-4,6B	14j6	30	5h9	16	130	110j6	160	9	3,5	111	263	10	4
2SIEK71-6A	14j6	30	5h9	16	130	110j6	160	9	3,5	111	223	10	4
2SIEK71-8B	14j6	30	5h9	16	130	110j6	160	9	3,5	111	284	10	4
2SIEK80-4A	19j6	40	6h9	21,5	165	130j6	200	10	3,5	120	266	12	4
2SIEK80-6A	19j6	40	6h9	21,5	165	130j6	200	10	3,5	120	278	12	4
2SIEK80-6B	19j6	40	6h9	21,5	165	130j6	200	10	3,5	120	306	12	4
2SIEK80-8A	19j6	40	6h9	21,5	165	130j6	200	10	3,5	120	306	12	4
2SIEK80-8B	19j6	40	6h9	21,5	165	130j6	200	10	3,5	120	318	12	4
3SIEK80-A	19j6	40	6h9	21,5	165	130j6	200	10	3,5	119	278	12	4
3SIEK80-B	19j6	40	6h9	21,5	165	130j6	200	10	3,5	119	306	12	4
2,3SIEK90S-2, 4, 6, L2, 8	24j6	50	8h9	27	165	130j6	200	8	3,5	148	331	12	4
2,3SIEK90L-4, 6	24j6	50	8h9	27	165	130j6	200	8	3,5	148	356	12	4
3SIEK100L-2, 6, 8A	28j6	60	8h9	31	215	180j6	250	11	4	157	377	15	4
3SIEK100L-4A, 4B, 8B	28j6	60	8h9	31	215	180j6	250	11	4	157	417	15	4
3SIEK112M-2, 6, 8	28j6	60	8h9	31	215	180j6	250	12	4	168	398	15	4
3SIEK112M-4	28j6	60	8h9	31	215	180j6	250	12	4	168	425	15	4
3SIEK132S	38k6	80	10h9	41	265	230j6	300	12	4	197	512	15	4
3SIEK132M	38k6	80	10h9	41	265	230j6	300	12	4	197	512	15	4
3SIEK160M	42k6	110	12h9	45	300	250j6	350	13	5	223	643	19	4
3SIEK160L	42k6	110	12h9	45	300	250j6	350	13	5	223	643	19	4
3SIEK180M-2, 4	48k6	110	14h9	51,5	300	250j6	350	13	5	234	723	19	4
3SIEK180L-4, 6, 8	48k6	110	14h9	51,5	300	250j6	350	13	5	234	723	19	4
3SIEK200L8	55m6	110	16h9	59	350	300j6	400	16,5	5	234	723	19	4

Dimensions of Flange Mounted Motors – IM B5, IM V1

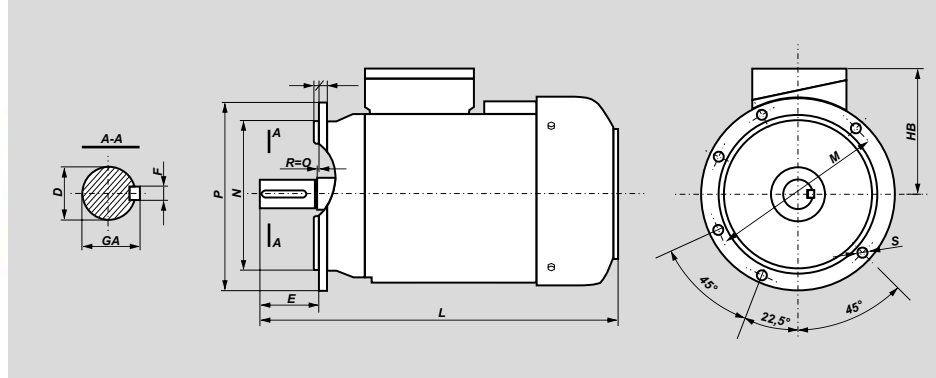


Motor type	D	E	F	GA	M	N	P	LA	T	HB	L	S (f)	S (holes)
3SIEK200L2-6	55m6	110	16h9	59	350	300j6	400	16,5	5	320	850	19	4
3SIEK225S	60m6	140	18h9	64	400	350j6	450	18	5	345	930	19	8
3SIEK225M2	55m6	110	16h9	59	400	350j6	450	18	5	345	900	19	8
3SIEK225M4-8	60m6	140	18h9	64	400	350j6	450	18	5	345	930	19	8
3SIEK250M2	60m6	140	18h9	64	500	450j6	550	23	5	385	1010	19	8
3SIEK250M4-8	65m6	140	18h9	69	500	450j6	550	23	5	385	1040	19	8
3SIEK280S2	65m6	140	18h9	69	500	450j6	550	23	5	440	1135	19	8
3SIEK280S4-8	75m6	140	20h9	79,5	500	450j6	550	23	5	440	1135	19	8
3SIEK280M2	65m6	140	18h9	69	500	450j6	550	23	5	440	1135	19	8
3SIEK280M4-8	75m6	140	20h9	79,5	500	450j6	550	23	5	440	1135	19	8
3SIEK315S2	65m6	140	18h9	69	600	550j6	660	23	6	490	1235	24	8
3SIEK315S4-8	80m6	170	22h9	85	600	550j6	660	23	6	490	1265	24	8
3SIEK315M2A;B	65m6	140	18h9	69	600	550j6	660	23	6	490	1235	24	8
3SIEK315M4A;B;6A ;8A;(B)	80m6	170	22h9	85	600	550j6	660	23	6	490	1265	24	8
3SIEK315M6B	80m6	170	22h9	85	600	550j6	660	23	6	490	1355	24	8
3SIEK315M2C	70m6	140	20h9	74,5	600	550j6	660	23	6	490	1290	24	8
3SIEK315M4C	80m6	170	22h9	85	600	550j6	660	23	6	490	1320	24	8
3SIEK315M6C	80m6	170	22h9	85	600	550j6	660	23	6	490	1320	24	8
3SIEK315M6D	90m6	170	25h9	95	600	550j6	660	23	6	490	1320	24	8
3SIEK315M8C;8D	90m6	170	25h9	95	600	550j6	660	23	6	490	1385	24	8
3SIEK355ML(4-8)*	100m6	210	28h9	106	740	680j6	800	24	6	580	1620	22	8
3SIEK355H(4-8)*	100m6	210	28h9	106	740	680j6	800	24	6	638	1955	22	8

*only in vertical position IM V1

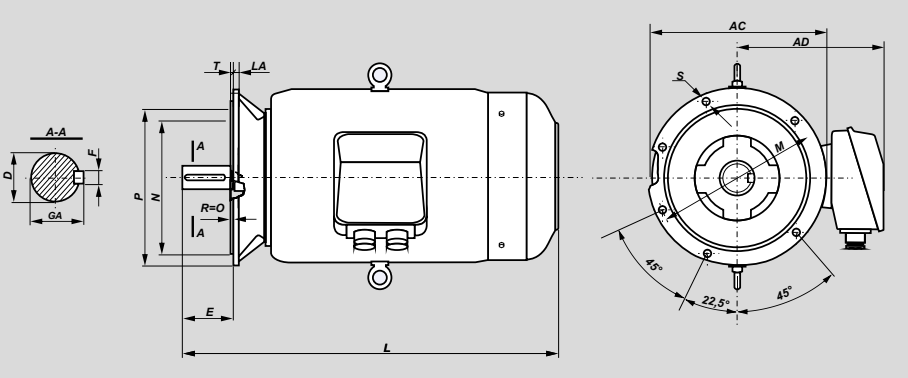
Dimensions of Flange Mounted Motors – IM B5, IM V1

Motors series Sh and Sg • 2p=10, 12

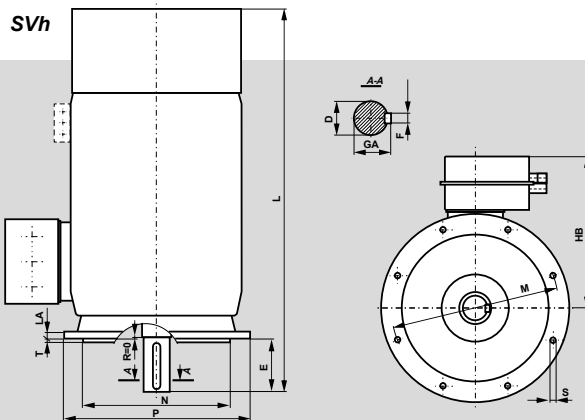


Type of motor	D	E	F	GA	M	N	P	LA	T	S	HB	L
SKh90S-10	24j6	50	8h9	27	165	130j6	200	8	3,5	12	130	305
SKh90L-10	24j6	50	8h9	27	165	130j6	200	8	3,5	12	130	330
SKg100L-10A	28j6	60	8h9	31	215	180j6	250	11	4	15	140	376
SKg100L-10B	28j6	60	8h9	31	215	180j6	250	11	4	15	140	376
SKg112M-10	28j6	60	8h9	31	215	180j6	250	12	4	15	164	384
SKg112M-10A	28j6	60	8h9	31	215	180j6	250	12	4	15	164	384
SKg132S-10	38k6	80	10h9	41	265	230j6	300	12	4	15	178	463
SKg132S-10A	38k6	80	10h9	41	265	230j6	300	12	4	15	178	463
SKg132S-10B	38k6	80	10h9	41	265	230j6	300	12	4	15	178	463
SKg160L-10	42k6	110	12h9	45	300	250j6	350	13	5	19	210	656
SKg180L-10	48k6	110	14h9	51,5	300	250j6	350	13	5	19	228	705
SKg100L-12	28j6	60	8h9	31	215	180j6	250	11	4	15	140	376
SKg112M-12	28j6	60	8h9	31	215	180j6	250	12	4	15	164	384
SKg132S-12	38k6	80	10h9	41	265	230j6	300	12	4	15	178	463
SKg132M-12	38k6	80	10h9	41	265	230j6	300	12	4	15	178	501
SKg132M-12B	38k6	80	10h9	41	265	230j6	300	12	4	15	178	501
SKg160M-12	42k6	110	12h9	45	300	250j6	350	13	5	19	210	612
SKg160L-12	42k6	110	12h9	45	300	250j6	350	13	5	19	210	656
SKg180L-12	48k6	110	14h9	51,5	300	250j6	350	13	5	19	228	705

Dimensions of Flange Mounted Motors – IM B5, IM V1



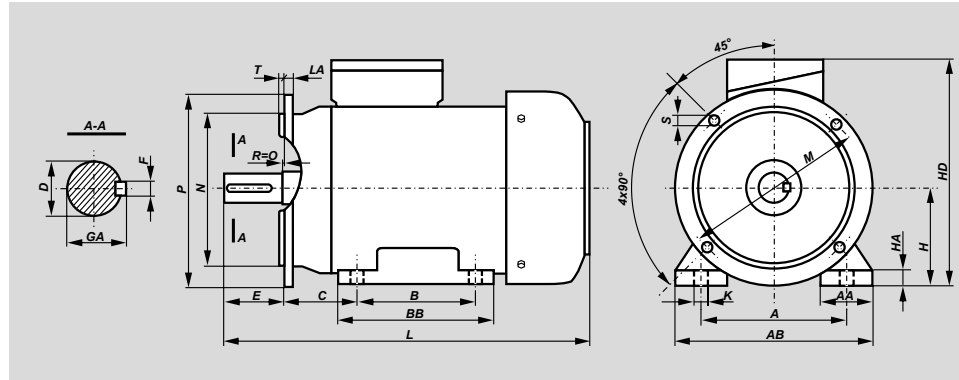
Motor type	D	E	F	GA	AC	AD	L	LA	M	N	P	T	S	
													∅	Holes
2SKg200L10-12	55m6	110	16h9	59	450	340	825	16,5	350	300j6	400	5	18	4
2SKg225S10-12	60m6	140	18h9	64	505	360	865	18	400	350j6	450	5	18	8
2SKg225M10-12	60m6	140	18h9	64	505	360	890	18	400	350j6	450	5	18	8
2SKg250M10-12	65m6	140	18h9	69	540	405	965	19	500	450j6	550	5	18	8
2SKg280S10-12	75m6	140	20h9	79,5	620	440	1040	20	500	450j6	550	5	18	8
2SKg280M10-12	75m6	140	20h9	79,5	620	440	1040	20	500	450j6	550	5	18	8
2SKg315S10-12	80m6	170	22h9	85	620	440	1210	22	600	550j6	660	6	22	8
2SKg315M10-12	80m6	170	22h9	85	620	440	1210	22	600	550j6	660	6	22	8



Motor type	Poles	D	E	F	GA	HB	L	LA	M	N	P	S	T
3SIEK355...s*	4÷8	100m6	210	28h9	106	638	1955	24	740	680j6	800	22	6
3SIEK/SVh400...s*	4÷10	110m6	210	28h9	116	691	2090	30	940	880j6	1000	23	6
3SIEK/SVh450...s*	4÷12	110m6	210	28h9	116	849	2350	30	1080	1000j6	1150	28	6
3SIEK/SVh500...s*	4÷12	120m6	210	32h9	127	909	2504	30	1080	1000j6	1150	28	6

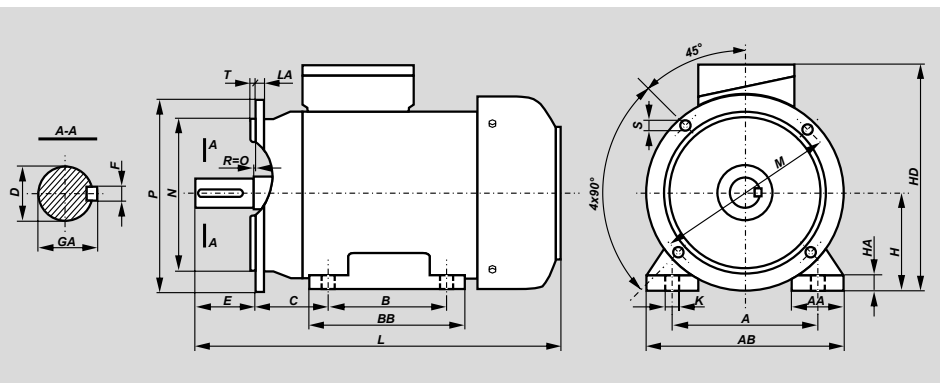
* – the SVh motors may operate only in vertical position IM V1.

Dimensions of Foot / Flange Mounted Motors – IM B35



Motor type	A	B	C	D	E	F	GA	H	K	M	N	P	S	LA	T	AA	AB	BB	HA	HD	L
SLh56-A	90	71	36	9j6	20	3h9	10,2	56	8	100	80j6	120	7	8	3	30	110	92	7	154	183
2SIEL56-2B	90	71	36	9j6	20	3h9	10,2	56	5,8	100	80j6	120	7	8	3	30	110	92	7	154	193
2SIEL63-A	100	80	40	11j6	23	4h9	12,5	63	7	115	95j6	140	10	9	3	36	124	106	8,5	165	200
2SIEL63-2,4B	100	80	40	11j6	23	4h9	12,5	63	7	115	95j6	140	10	9	3	36	124	106	8,5	165	210
2SIEL63-6B	100	80	40	11j6	23	4h9	12,5	63	7	115	95j6	140	10	9	3	36	124	106	8,5	165	245
2SIEL71-2,4A	112	90	45	14j6	30	5h9	16	71	7	130	110j6	160	10	9	3,5	45	142	116	8	182	245
2SIEL71-2B	112	90	45	14j6	30	5h9	16	71	7	130	110j6	160	10	9	3,5	45	142	116	8	182	245
2SIEL71-4,6B	112	90	45	14j6	30	5h9	16	71	7	130	110j6	160	10	9	3,5	45	142	116	8	182	263
2SIEL71-6A	112	90	45	14j6	30	5h9	16	71	7	130	110j6	160	10	9	3,5	45	142	116	8	182	223
2SIEL71-8B	112	90	45	14j6	30	5h9	16	71	7	130	110j6	160	10	9	3,5	45	142	116	8	182	284
2SIEL80-4A	125	100	50	19j6	40	6h9	21,5	80	10	165	130j6	200	12	10	3,5	55	160	130	9	200	266
2SIEL80-6A	125	100	50	19j6	40	6h9	21,5	80	10	165	130j6	200	12	10	3,5	55	160	130	9	200	278
2SIEL80-6B	125	100	50	19j6	40	6h9	21,5	80	10	165	130j6	200	12	10	3,5	55	160	130	9	200	306
2SIEL80-8A	125	100	50	19j6	40	6h9	21,5	80	10	165	130j6	200	12	10	3,5	55	160	130	9	200	306
2SIEL80-8B	125	100	50	19j6	40	6h9	21,5	80	10	165	130j6	200	12	10	3,5	55	160	130	9	200	318
3SIEL80-A	125	100	50	19j6	40	6h9	21,5	80	10	165	130j6	200	12	10	3,5	55	160	130	9	200	278
3SIEL80-B	125	100	50	19j6	40	6h9	21,5	80	10	165	130j6	200	12	10	3,5	55	160	130	9	200	306
2,3SIEL90S-2, 4, 6, 8	140	100	56	24j6	50	8h9	27	90	10	165	130j6	200	12	8	3,5	47	182	153	10	238	331
2,3SIEL90L-2, 8	140	125	56	24j6	50	8h9	27	90	10	165	130j6	200	12	8	3,5	47	182	153	10	238	331
3SIEL90L-4, 6	140	125	56	24j6	50	8h9	27	90	10	165	130j6	200	12	8	3,5	47	182	153	10	238	356
3SIEL100L-2, 6, 8A	160	140	63	28j6	60	8h9	31	100	12	215	180j6	250	15	11	4	52	202	170	12	257	377
3SIEL100L-4A, 4B, 8B	160	140	63	28j6	60	8h9	31	100	12	215	180j6	250	15	11	4	52	202	170	12	257	417
3SIEL112M-2, 6, 8	190	140	70	28j6	60	8h9	31	112	12	215	180j6	250	15	12	4	52	222	170	14	280	398
3SIEL112M-4	190	140	70	28j6	60	8h9	31	112	12	215	180j6	250	15	12	4	52	222	170	14	280	425
3SIEL132S	216	140	89	38k6	80	10h9	41	132	12	265	230j6	300	15	12	4	61	266	220	18	329	512
3SIEL132M	216	178	89	38k6	80	10h9	41	132	12	265	230j6	300	15	12	4	61	266	220	18	329	512
3SIEL160M	254	210	108	42k6	110	12h9	45	160	15	300	250j6	350	19	13	5	81	320	300	25	383	643
3SIEL160L	254	254	108	42k6	110	12h9	45	160	15	300	250j6	350	19	13	5	81	320	300	25	383	643
3SIEL180M	279	241	121	48k6	110	14h9	51,5	180	15	300	250j6	350	19	13	5	92	353	320	27	414	723
3SIEL180L	279	279	121	48k6	110	14h9	51,5	180	15	300	250j6	350	19	13	5	92	353	320	27	414	723
3SIEL200L8	318	305	133	55m6	110	16h9	59	200	19	350	300j6	400	19	16,5	5	90	400	365	35	434	723

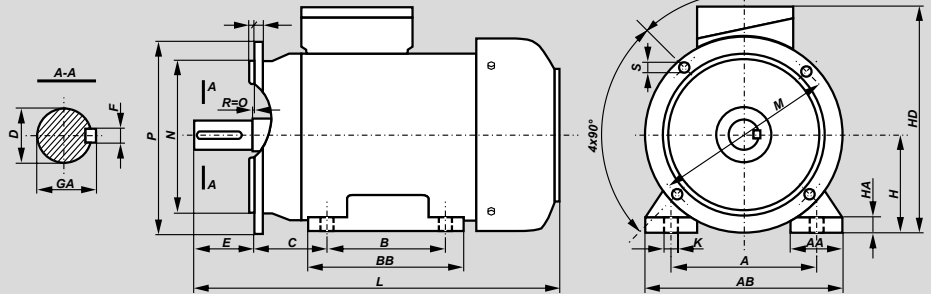
Dimensions of Foot / Flange Mounted Motors – IM B35



Motor type	A	B	B1	C	D	E	F	GA	H	HA	K	AA	AB	BA1	BA2	BB	HD	LA	P	M	N	T	L	S	
3SIEL200L2-6	318	305	—	133	55m6	110	16h9	59	200	32	19	80	400	113	113	380	520	16,5	400	350	300j6	5	850	19	4
3SIEL225S	356	286	311	149	60m6	140	18h9	64	225	34	19	85	440	115	115	380	570	18	450	400	350j6	5	930	19	8
3SIEL225M2	356	286	311	149	55m6	110	16h9	59	225	34	19	85	440	115	115	380	570	18	450	400	350j6	5	900	19	8
3SIEL225M4-8	356	286	311	149	60m6	140	18h9	64	225	34	19	85	440	115	115	380	570	18	450	400	350j6	5	930	19	8
3SIEL250M2	406	349	—	168	60m6	140	18h9	64	250	37	24	90	480	135	135	445	635	23	550	500	450j6	5	1010	19	8
3SIEL250M4-8	406	349	—	168	65m6	140	18h9	69	250	37	24	90	480	135	135	445	635	23	550	500	450j6	5	1040	19	8
3SIEL280S2	457	368	419	190	65m6	140	18h9	69	280	40	24	105	550	130	165	520	720	23	550	500	450j6	5	1135	19	8
3SIEL280S4-8	457	368	419	190	75m6	140	20h9	79,5	280	40	24	105	550	130	165	520	720	23	550	500	450j6	5	1135	19	8
3SIEL280M2	457	368	419	190	65m6	140	18h9	69	280	40	24	105	550	130	165	520	720	23	550	500	450j6	5	1135	19	8
3SIEL280M4-8	457	368	419	190	75m6	140	20h9	79,5	280	40	24	105	550	130	165	520	720	23	550	500	450j6	5	1135	19	8
3SIEL315S2	508	406	457	216	65m6	140	18h9	69	315	48	28	120	610	160	160	565	805	23	660	600	550j6	6	1235	24	8
3SIEL315S4-8	508	406	457	216	80m6	170	22h9	85	315	48	28	120	610	160	160	565	805	23	660	600	550j6	6	1265	24	8
3SIEL315M2A;B	508	406	457	216	65m6	140	18h9	69	315	48	28	120	610	160	160	565	805	23	660	600	550j6	6	1235	24	8
3SIEL315M4A;B;6A;8A;(B)	508	406	457	216	80m6	170	22h9	85	315	48	28	120	610	160	160	565	805	23	660	600	550j6	6	1265	24	8
3SIEL315M6B	508	406	457	216	80m6	170	22h9	85	315	48	28	135	610	135	205	600	805	23	660	600	550j6	6	1355	24	8
3SIEL315M2C	508	406	457	216	70m6	140	20h9	74,5	315	48	28	135	610	135	205	600	805	23	660	600	550j6	6	1290	24	8
3SIEL315M4C	508	406	457	216	80m6	170	22h9	85	315	48	28	135	610	135	205	600	805	23	660	600	550j6	6	1320	24	8
3SIEL315M6C	508	406	457	216	80m6	170	22h9	85	315	48	28	135	610	135	205	600	805	23	660	600	550j6	6	1320	24	8
3SIEL315M6D	508	406	457	216	90m6	170	25h9	95	315	48	28	135	610	135	205	600	805	23	660	600	550j6	6	1320	24	8
3SIEL315M8C;8D	508	406	457	216	90m6	170	25h9	95	315	48	28	135	610	135	205	600	805	23	660	600	550j6	6	1385	24	8
3SIEL355ML(2)	610	560	630	254	80m6	170	22h9	85	355	50	28	150	720	250	300	890	935	24	800	740	680j6	6	1580	22	8
3SIEL355ML(4-8)	610	560	630	254	100m6	210	28h9	106	355	50	28	150	720	250	300	890	935	24	800	740	680j6	6	1620	22	8
3SIEL355H(2)	610	900	—	254	70m6	140	20h9	74,5	355	45	28	160	730	265	265	1045	995	24	800	740	680j6	6	1854	22	8
3SIEL355H(4-8)	610	900	—	254	100m6	210	28h9	106	355	45	28	160	730	265	265	1045	995	24	800	740	680j6	6	1924	22	8

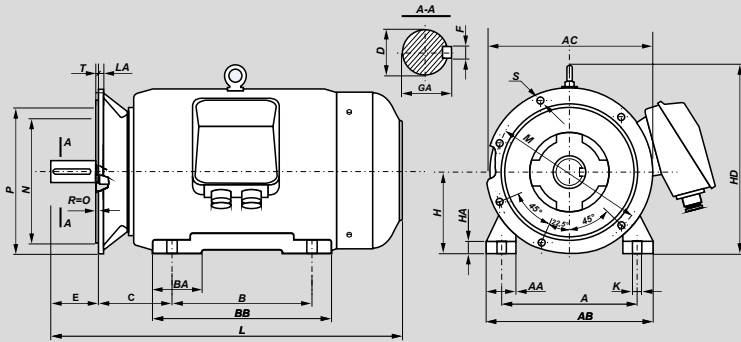
Dimensions of Foot / Flange Mounted Motors – IM B35

Motors series Sh and Sg • 2p=10, 12

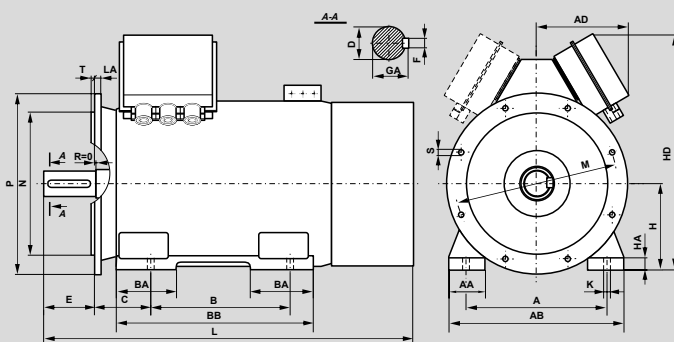


Motor type	A	B	C	D	E	F	GA	H	HA	K	AA	AB	BB	HD	L	LA	M	N	P	T	S
SLh90S-10	140	100	56	24k6	50	8h9	27	90	10	10	50	170	153	220	305	8	165	130j6	200	3,5	12
SLh90L-10	140	125	56	24k6	50	8h9	27	90	10	10	45	200	153	220	330	8	165	130j6	200	3,5	12
SLg100L-10A	160	140	63	28k6	60	8h9	31	100	14	12	54	230	172	240	376	11	215	180j6	250	4	15
SLg100L-10B	160	140	63	28k6	60	8h9	31	100	14	12	54	230	172	240	376	11	215	180j6	250	4	15
SLg112M-10	190	140	70	28k6	60	8h9	31	112	14	12	56	278	174	276	384	12	215	180j6	250	4	15
SLg112M-10A	190	140	70	28k6	60	8h9	31	112	14	12	56	278	174	276	384	12	215	180j6	250	4	15
SLg132S-10	216	140	89	38k6	80	10h9	41	132	16	12	56	278	182	310	463	12	265	230j6	300	4	15
SLg132S-10A	216	140	89	38k6	80	10h9	41	132	16	12	56	278	182	310	463	12	265	230j6	300	4	15
SLg132S-10B	216	140	89	38k6	80	10h9	41	132	16	12	56	278	220	310	463	12	265	230j6	300	4	15
SLg160L-10	254	254	108	42k6	110	12h9	45	160	20	15	60	305	300	370	656	13	300	250j6	350	5	19
SLg180L-10	279	279	121	48k6	110	14h9	51,5	180	26	19	70	350	320	408	705	13	300	250j6	350	5	19
SLg100L-12	160	140	63	28k6	60	8h9	31	100	14	12	54	230	172	240	376	11	215	180j6	250	4	15
SLg112M-12	190	140	70	28k6	60	8h9	31	112	14	12	56	278	174	276	384	12	215	180j6	250	4	15
SLg132S-12	216	140	89	38k6	80	10h9	41	132	16	12	56	278	182	310	463	12	265	230j6	300	4	15
SLg132M-12	216	178	89	38k6	80	10h9	41	132	16	12	56	278	220	310	501	12	265	230j6	300	4	15
SLg132M-12B	216	178	89	38k6	80	10h9	41	132	16	12	56	278	220	310	501	12	265	230j6	300	4	15
SLg160M-12	254	210	108	42k6	110	12h9	45	160	20	15	60	305	256	370	612	13	300	250j6	350	5	19
SLg160L-12	254	254	108	42k6	110	12h9	45	160	20	15	60	305	300	370	656	13	300	250j6	350	5	19
SLg180L-12	279	279	121	48k6	110	14h9	51,5	180	26	19	70	350	320	408	705	13	300	250j6	350	5	19

Dimensions of Foot / Flange Mounted Motors – IM B35

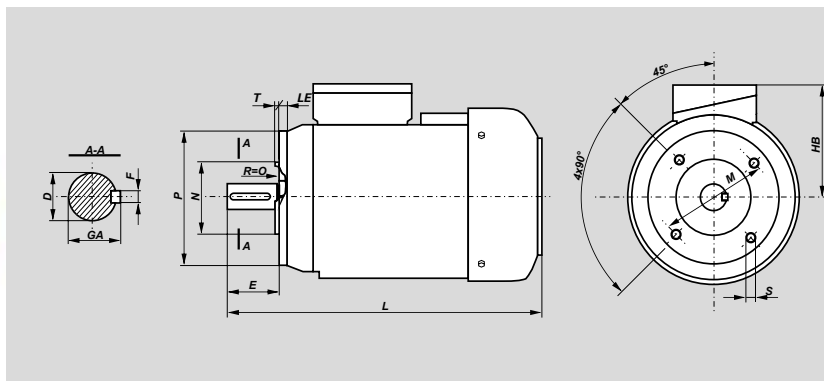


Motor type	A	B	C	D	E	F	GA	H	HA	K	AA	AB	AC	BA	BB	HD	L	LA	M	N	P	T	S	
2SLg200L10-12	318	305	133	55m6	110	16h9	59	200	32	19	80	400	450	100	380	485	825	16,5	350	300j6	400	5	18	4
2SLg225S10-12	356	286	149	60m6	140	18h9	64	225	34	19	85	445	505	110	355	535	865	18	400	350j6	450	5	18	8
2SLg225M10-12	356	311	149	60m6	140	18h9	64	225	34	19	85	445	505	110	380	535	890	18	400	350j6	450	5	18	8
2SLg250M10-12	406	349	168	65m6	140	18h9	69	250	36	24	90	495	540	120	420	590	965	19	500	450j6	550	5	18	8
2SLg280S10-12	457	368	190	75m6	140	20h9	79,5	280	40	24	100	560	620	165	520	660	1040	20	500	450j6	550	5	18	8
2SLg280M10-12	457	419	190	75m6	140	20h9	79,5	280	40	24	100	560	620	165	520	660	1040	20	500	450j6	550	5	18	8
2SLg315S10-12	508	406	216	80m6	170	22h9	85	315	46	28	105	610	620	190	560	695	1210	22	600	550j6	660	6	22	8
2SLg315M10-12	508	457	216	80m6	170	22h9	85	315	46	28	105	610	620	190	560	695	1210	22	600	550j6	660	6	22	8



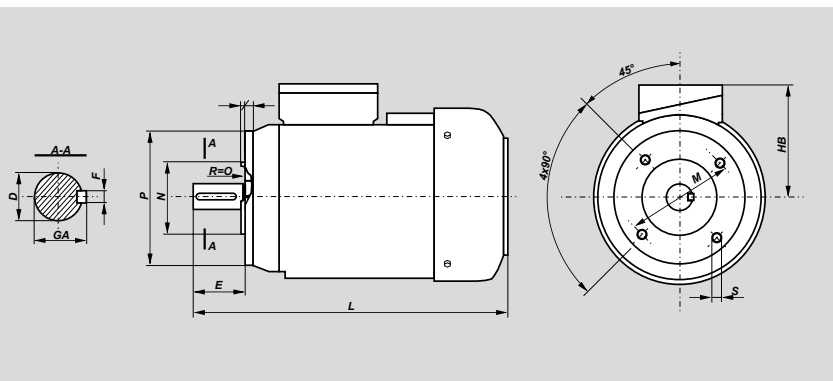
Motor type	Poles	A	B	C	D	E	F	GA	H	HA	K	AA	AB	AD	BA	BB	HD	L	LA	M	N	P	S	T
3SIEL355...s	2	610	900	254	70m6	140	20h9	74.5	355	45	28	160	730	344	265	1045	995	1854	24	740	680j6	800	22	6
3SIEL355...s	4÷8	610	900	254	100m6	210	28h9	106	355	45	28	160	730	344	265	1045	995	1924	24	740	680j6	800	22	6
3SIEL400...s	2	686	1000	280	80m6	170	22h9	85	400	50	35	175	840	520	265	1160	1255	2031	30	940	880j6	1000	25	6
3SIEL/SLh400...s	4÷10	686	1000	280	110m6	210	28h9	116	400	50	35	175	840	520	265	1160	1255	2016	30	940	880j6	1000	25	6
3SIEL450...s	2	750	1120	315	80m6	170	22h9	85	450	60	35	205	940	560	340	1320	1356	2162	30	1080	1000j6	1150	28	6
3SIEL/SLh450...s	4÷12	750	1120	315	110m6	210	28h9	116	450	60	35	205	940	560	340	1320	1356	2162	30	1080	1000j6	1150	28	6
3SIEL/SLh500...s	4÷12	850	1250	355	120m6	210	32h9	127	500	70	42	223	1050	560	300	1450	1470	2505	30	1080	1000j6	1150	28	6

Dimensions of Flange Mounted Motors – IM B14



Motor type	Flange	D	E	F	GA	M	N	P	S	T	LE	HB	L
SKh56- .A1	B14/C1	9j6	20	3h9	10,2	85	70j6	105	M6	2,5	15	98	183
SKh56- .A2	B14/C2	9j6	20	3h9	10,2	65	50j6	80	M5	2,5	12,5	98	183
2SIEK56-2B1	B14/C1	9j6	20	3h9	10,2	85	70j6	105	M6	2,5	15	98	193
2SIEK56-2B2	B14/C2	9j6	20	3h9	10,2	65	50j6	80	M5	2,5	12,5	98	193
2SIEK63-.A1	B14/C1	11j6	23	4h9	12,5	100	80j6	120	M6	3	14	102	200
2SIEK63-.A2	B14/C2	11j6	23	4h9	12,5	75	60j6	90	M5	2,5	9,5	102	200
2SIEK63-2,4B1	B14/C1	11j6	23	4h9	12,5	100	80j6	120	M6	3	14	102	210
2SIEK63-2,4B2	B14/C2	11j6	23	4h9	12,5	75	60j6	90	M5	2,5	9,5	102	210
2SIEK63-6B1	B14/C1	11j6	23	4h9	12,5	100	80j6	120	M6	3	14	102	245
2SIEK63-6B2	B14/C2	11j6	23	4h9	12,5	75	60j6	90	M5	2,5	9,5	102	245
2SIEK71-2,4A1	B14/C1	14j6	30	5h9	16	115	95j6	140	M8	3	14	111	245
2SIEK71-2,4A2	B14/C2	14j6	30	5h9	16	85	70j6	105	M6	2,5	12	111	245
2SIEK71-2B1	B14/C1	14j6	30	5h9	16	115	95j6	140	M8	3	14	111	245
2SIEK71-2B2	B14/C2	14j6	30	5h9	16	85	70j6	105	M6	2,5	12	111	245
2SIEK71-4,6B1	B14/C1	14j6	30	5h9	16	115	95j6	140	M8	3	14	111	263
2SIEK71-4,6B2	B14/C2	14j6	30	5h9	16	85	70j6	105	M6	2,5	12	111	263
2SIEK71-6A1	B14/C1	14j6	30	5h9	16	115	95j6	140	M8	3	14	111	223
2SIEK71-6A2	B14/C2	14j6	30	5h9	16	85	70j6	105	M6	2,5	12	111	223
2SIEK71-8B1	B14/C1	14j6	30	5h9	16	115	95j6	140	M8	3	14	111	284
2SIEK71-8B2	B14/C2	14j6	30	5h9	16	85	70j6	105	M6	2,5	12	111	284
2SIEK80-4A1	B14/C1	19j6	40	6h9	21,5	130	110j6	160	M8	3,5	14	120	266
2SIEK80-4A2	B14/C2	19j6	40	6h9	21,5	100	80j6	120	M6	3	12	120	266
2SIEK80-6A1	B14/C1	19j6	40	6h9	21,5	130	110j6	160	M8	3,5	14	120	278
2SIEK80-6A2	B14/C2	19j6	40	6h9	21,5	100	80j6	120	M6	3	12	120	278
2SIEK80-6B1	B14/C1	19j6	40	6h9	21,5	130	110j6	160	M8	3,5	14	120	306
2SIEK80-6B2	B14/C2	19j6	40	6h9	21,5	100	80j6	120	M6	3	12	120	306
2SIEK80-8A1	B14/C1	19j6	40	6h9	21,5	130	110j6	160	M8	3,5	14	120	306
2SIEK80-8A2	B14/C2	19j6	40	6h9	21,5	100	80j6	120	M6	3	12	120	306
2SIEK80-8B1	B14/C1	19j6	40	6h9	21,5	130	110j6	160	M8	3,5	14	120	316
2SIEK80-8B2	B14/C2	19j6	40	6h9	21,5	100	80j6	120	M6	3	12	120	316
3SIEK80- .A1	B14/C1	19j6	40	6h9	21,5	130	110j6	160	M8	3,5	14	119	278
3SIEK80- .A2	B14/C2	19j6	40	6h9	21,5	100	80j6	120	M6	3	12	119	306
3SIEK80- .B1	B14/C1	19j6	40	6h9	21,5	130	110j6	160	M8	3,5	14	119	278
3SIEK80- .B2	B14/C2	19j6	40	6h9	21,5	100	80j6	120	M6	3	12	119	306
2,3SIEK90S 2, 4, 6, L2, 8	B14/C1	24j6	50	8h9	27	130	110j6	160	M8	3,5	10	148	331
2,3SIEK90S 2, 4, 6, L2	B14/C2	24j6	50	8h9	27	115	95j6	140	M8	3	10	148	331

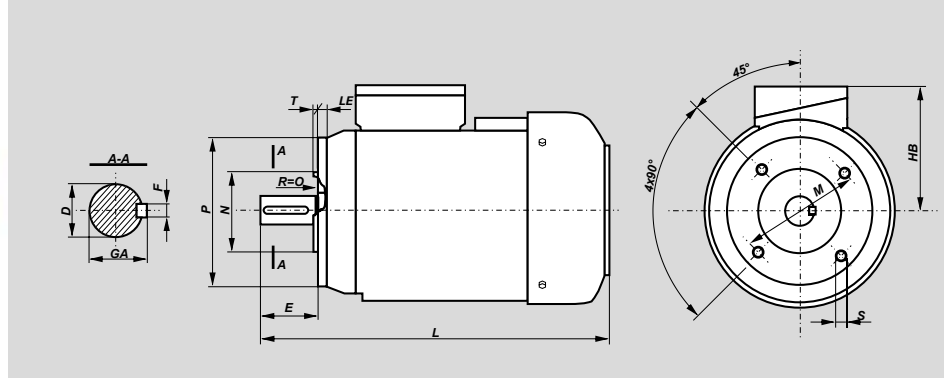
Dimensions of Flange Mounted Motors – IM B14



Motor type	Flange	D	E	F	GA	M	N	P	S	T	LE	HB	L
3SIEK90L 4, 6	B14/C1	24j6	50	8h9	27	130	110j6	160	M8	3,5	10	148	356
3SIEK90L 4, 6	B14/C2	24j6	50	8h9	27	115	95j6	140	M8	3	10	148	356
3SIEK100L 2, 6, 8A	B14/C1	28j6	60	8h9	31	165	130j6	200	M10	3,5	12	157	377
3SIEK100L 2, 6	B14/C2	28j6	60	8h9	31	130	110j6	160	M8	3,5	12	157	377
3SIEK100L 4A, 4B, 8B	B14/C1	28j6	60	8h9	31	165	130j6	200	M10	3,5	12	157	417
3SIEK100L 4A, 4B	B14/C2	28j6	60	8h9	31	130	110j6	160	M8	3,5	12	157	417
3SIEK112M 2, 6, 8	B14/C1	28j6	60	8h9	31	165	130j6	200	M10	3,5	12	168	398
3SIEK112M 2, 6	B14/C2	28j6	60	8h9	31	130	110j6	160	M8	3,5	12	168	398
3SIEK112M 4	B14/C1	28j6	60	8h9	31	165	130j6	200	M10	3,5	12	168	425
3SIEK112M 4	B14/C2	28j6	60	8h9	31	130	110j6	160	M8	3,5	12	168	425
3SIEK132S, M	B14/C1	38k6	80	10h9	41	215	180j6	250	M12	4	12	197	512
3SIEK132S, M	B14/C2	38k6	80	10h9	41	165	130j6	200	M10	3,5	12	197	512
3SIEK160M, L	B14/C1	42k6	110	12h9	45	265	230j6	300	M12	4	13	223	643
3SIEK160M, L	B14/C2	42k6	110	12h9	45	215	180j6	250	M12	4	13	223	643

Dimensions of Flange Mounted Motors – IM B14

Motors series Sh and Sg • 2p=10, 12

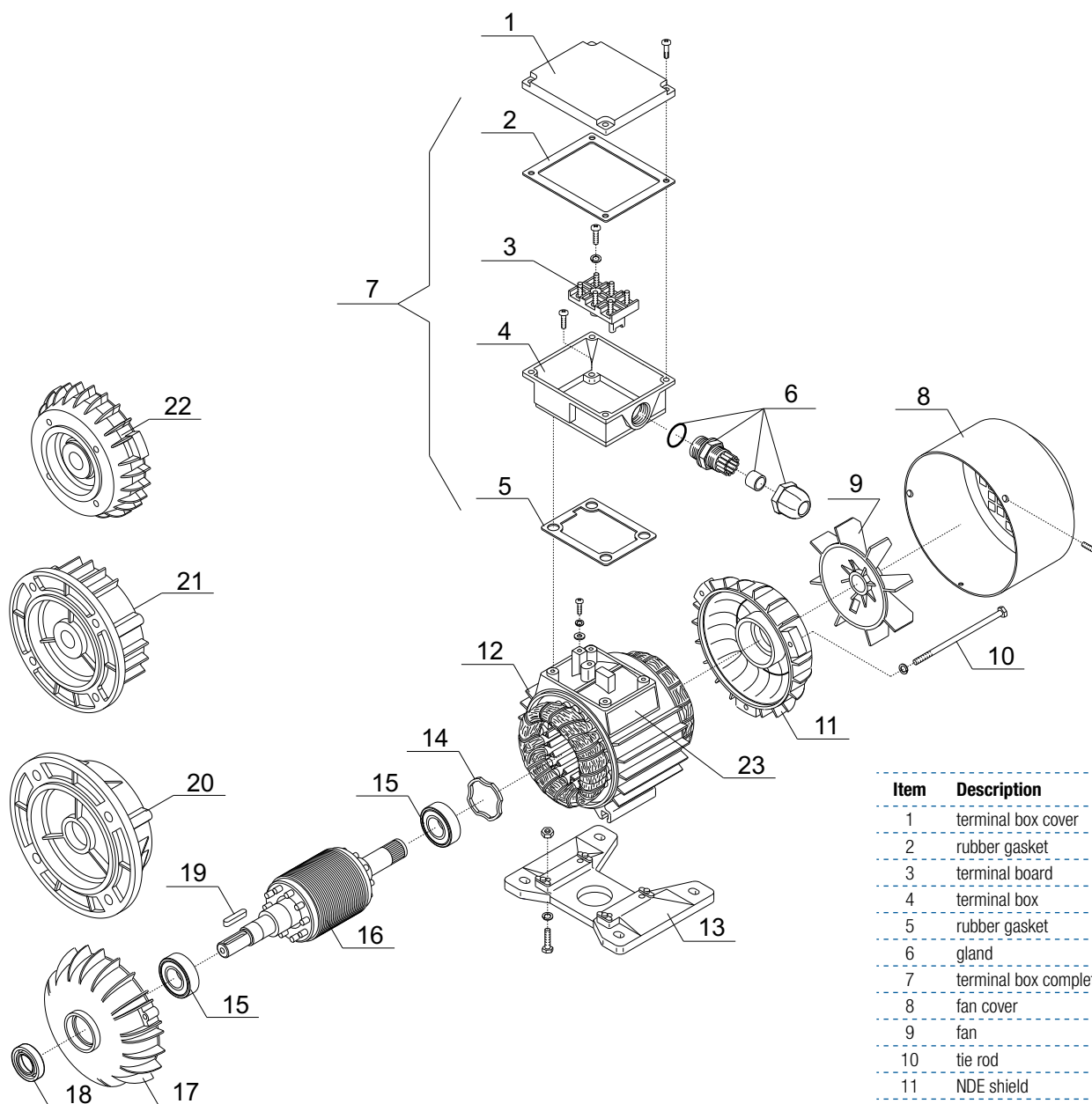


Motor type	Flange	D	E	F	GA	M	N	P	S	T	LE	HB	L
SKh90S-10	B14/C1	24j6	50	8h9	27	130	110j6	160	M8	3,5	10	-	305
SKh90S-10	B14/C2	24j6	50	8h9	27	100	80j6	120	M8	3	10	-	305
SKh90L-10	B14/C1	24j6	50	8h9	27	130	110j6	160	M8	3,5	10	-	330
SKh90L-10	B14/C2	24j6	50	8h9	27	100	80j6	120	M8	3	10	-	330
SKg100L-10A	B14/C1	28j6	60	8h9	31	165	130j6	200	M10	3,5	12	-	376
SKg100L-10A	B14/C2	28j6	60	8h9	31	130	110j6	160	M8	3,5	12	-	376
SKg100L-10B	B14/C1	28j6	60	8h9	31	165	130j6	200	M10	3,5	12	-	376
SKg100L-10B	B14/C2	28j6	60	8h9	31	130	110j6	160	M8	3,5	12	-	376
SKg112M-10	B14/C1	28j6	60	8h9	31	165	130j6	200	M10	3,5	12	-	384
SKg112M-10	B14/C2	28j6	60	8h9	31	130	110j6	160	M8	3,5	12	-	384
SKg112M-10A	B14/C1	28j6	60	8h9	31	165	130j6	200	M10	3,5	12	-	384
SKg112M-10A	B14/C2	28j6	60	8h9	31	130	110j6	160	M8	3,5	12	-	384
SKg132S-10	B14/C1	38k6	80	10h9	41	215	180j6	250	M12	4	12	-	463
SKg132S-10	B14/C2	38k6	80	10h9	41	165	130j6	200	M10	3,5	12	-	463
SKg132S-10A	B14/C1	38k6	80	10h9	41	215	180j6	250	M12	4	12	-	463
SKg132S-10A	B14/C2	38k6	80	10h9	41	165	130j6	200	M10	3,5	12	-	463
SKg132S-10B	B14/C1	38k6	80	10h9	41	215	180j6	250	M12	4	12	-	463
SKg132S-10B	B14/C2	38k6	80	10h9	41	165	130j6	200	M10	3,5	12	-	463
SKg160L-10	B14/C1	42k6	110	12h9	45	265	230j6	300	M12	4	13	-	656
SKg160L-10	B14/C2	42k6	110	12h9	45	215	180j6	250	M12	4	20	-	656
SKg100L-12	B14/C1	28j6	60	8h9	31	165	130j6	200	M10	3,5	12	-	376
SKg100L-12	B14/C2	28j6	60	8h9	31	130	110j6	160	M8	3,5	12	-	376
SKg112M-12	B14/C1	28j6	60	8h9	31	165	130j6	200	M10	3,5	12	-	384
SKg112M-12	B14/C2	28j6	60	8h9	31	130	110j6	160	M8	3,5	12	-	384
SKg132S-12	B14/C1	38k6	80	10h9	41	215	180j6	250	M12	4	12	-	463
SKg132S-12	B14/C2	38k6	80	10h9	41	165	130j6	200	M10	3,5	12	-	463
SKg132M-12	B14/C1	38k6	80	10h9	41	215	180j6	250	M12	4	12	-	501
SKg132M-12	B14/C2	38k6	80	10h9	41	165	130j6	200	M10	3,5	12	-	501
SKg132M-12B	B14/C1	38k6	80	10h9	41	215	180j6	250	M12	4	12	-	463
SKg132M-12B	B14/C2	38k6	80	10h9	41	165	130j6	200	M10	3,5	12	-	463
SKg160M-12	B14/C1	42k6	110	12h9	45	265	230j6	300	M12	4	13	-	612
SKg160M-12	B14/C2	42k6	110	12h9	45	215	180j6	250	M12	4	20	-	612
SKg160L-12	B14/C1	42k6	110	12h9	45	265	230j6	300	M12	4	13	-	656
SKg160L-12	B14/C2	42k6	110	12h9	45	215	180j6	250	M12	4	20	-	656

List of Motor parts

Frame Size: 56÷80

Motor series 2,3SIE and Sh



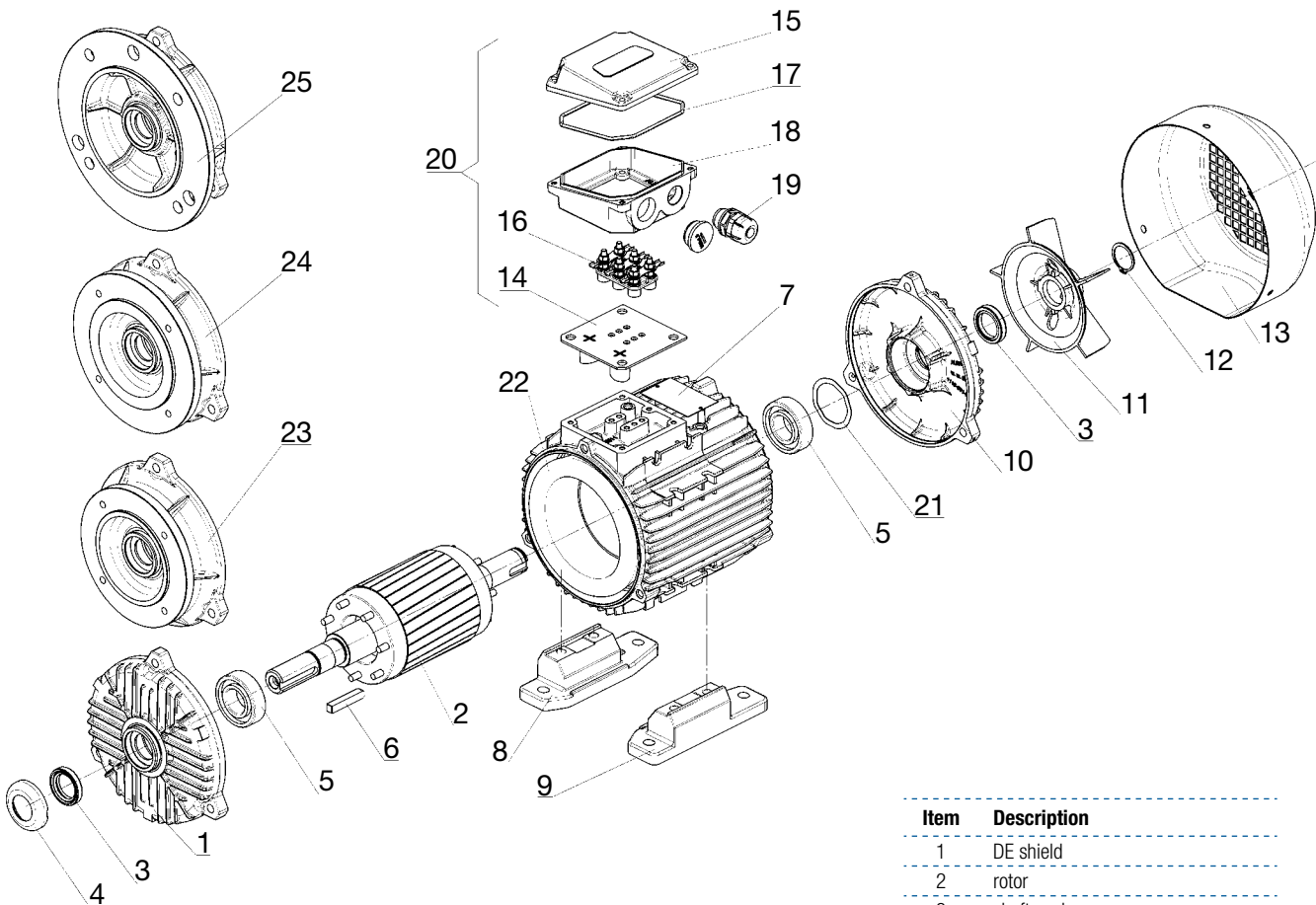
DE – drive end

NDE – non drive end

Item	Description
1	terminal box cover
2	rubber gasket
3	terminal board
4	terminal box
5	rubber gasket
6	gland
7	terminal box complete
8	fan cover
9	fan
10	tie rod
11	NDE shield
12	stator
13	foot
14	spring washer
15	bearing
16	rotor
17	DE shield
18	shaft seal
19	key
20	flange B5
21	flange B14/C1
22	flange B14/C2
23	name plate

List of Motor parts

Frame Size: 90÷112
 Motor series 3SIE

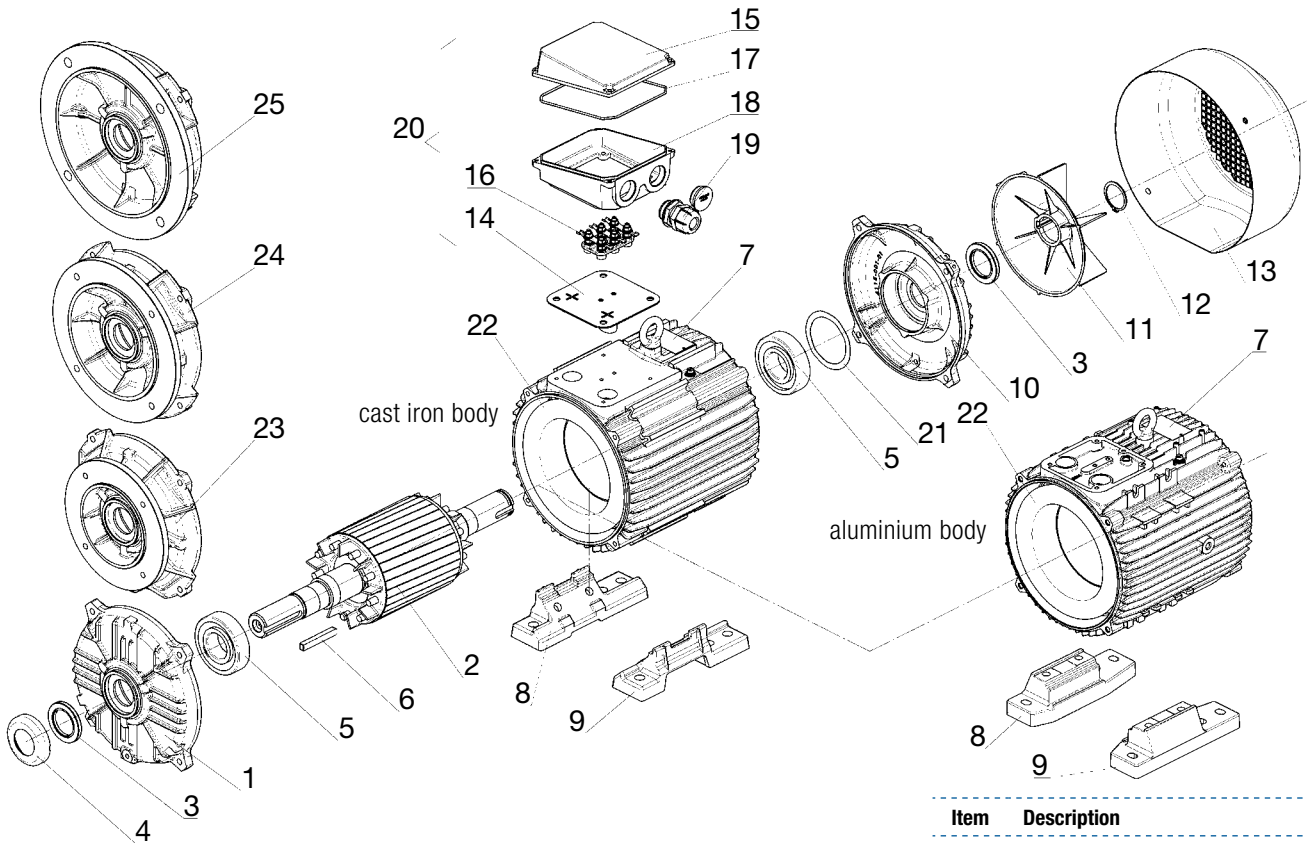


Item	Description
1	DE shield
2	rotor
3	shaft seal
4	shaft seal cover
5	bearing
6	key
7	name plate
8	sx foot
9	dx foot
10	NDE shield
11	fan
12	seeger ring
13	fan cover
14	rubber gasket
15	terminal box cover
16	terminal board
17	rubber gasket
18	terminal box
19	gland
20	terminal box complete
21	spring washer
22	stator
23	flange B14/C2
24	flange B14/C1
25	flange B5

DE – drive end
 NDE – non drive end

List of Motor parts

Frame Size: 132÷180 and 200L8
Motor series 3SIE



Item	Description
1	DE shield
2	rotor
3	shaft seal
4	shaft seal cover
5	bearing
6	key
7	name plate
8 ¹	sx foot
9 ¹	dx foot
10	NDE shield
11	fan
12	seeger ring
13	fan cover
14	rubber gasket
15	terminal box cover
16	terminal board
17	rubber gasket
18	terminal box
19	gland
20	terminal box complete
21	spring washer
22 ²	stator
23	flange B14/C2
24	flange B14/C1
25	flange B5

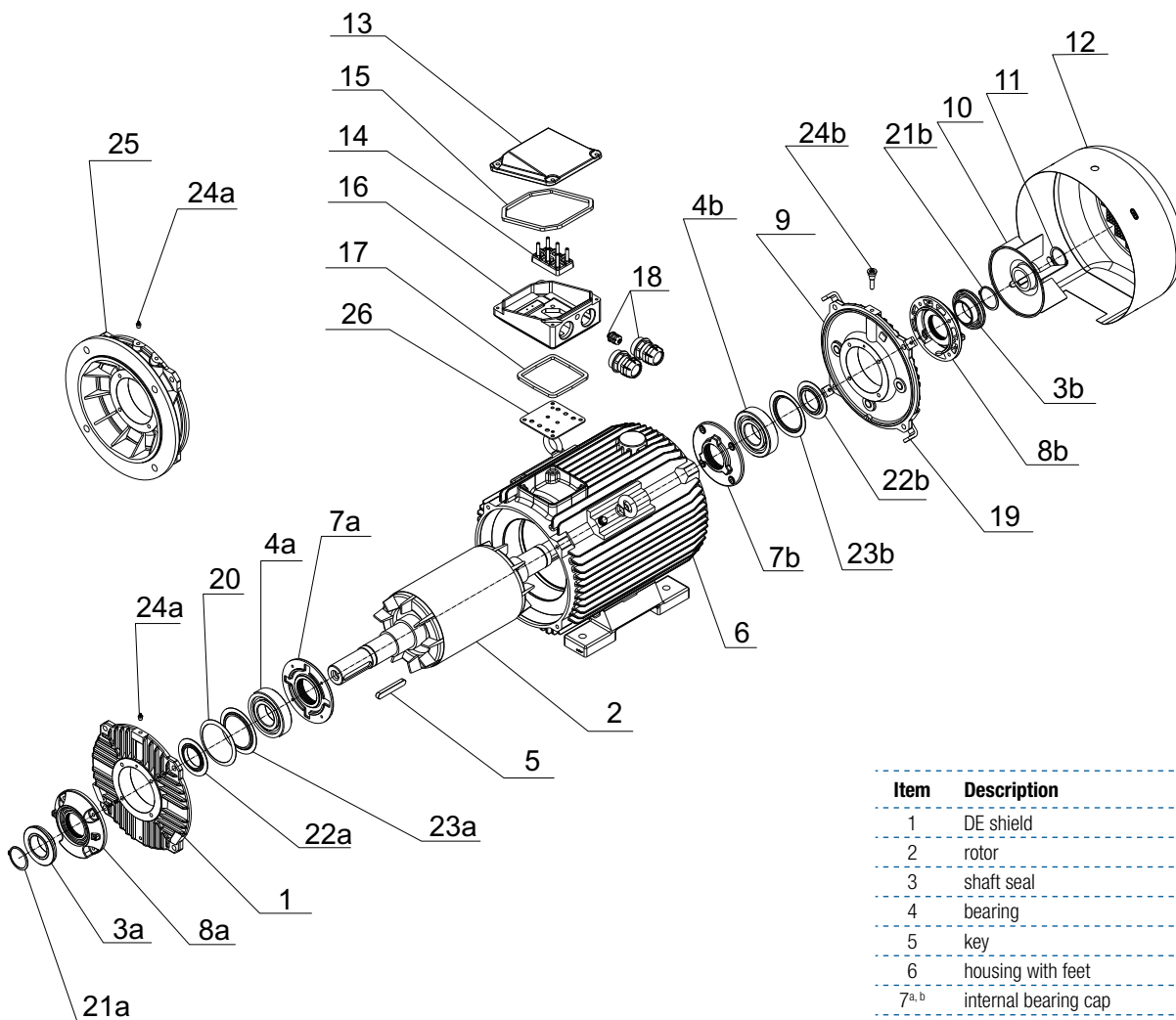
¹ – only for frame size 132 ÷ 180 feet can be screwed or integrated with the motor housing

² – for frame size 132 aluminium or cast iron body are possible

DE – drive end
NDE – non drive end

List of Motor parts

Frame Size: 200÷315 except 200L8
 Motor series 3SIE



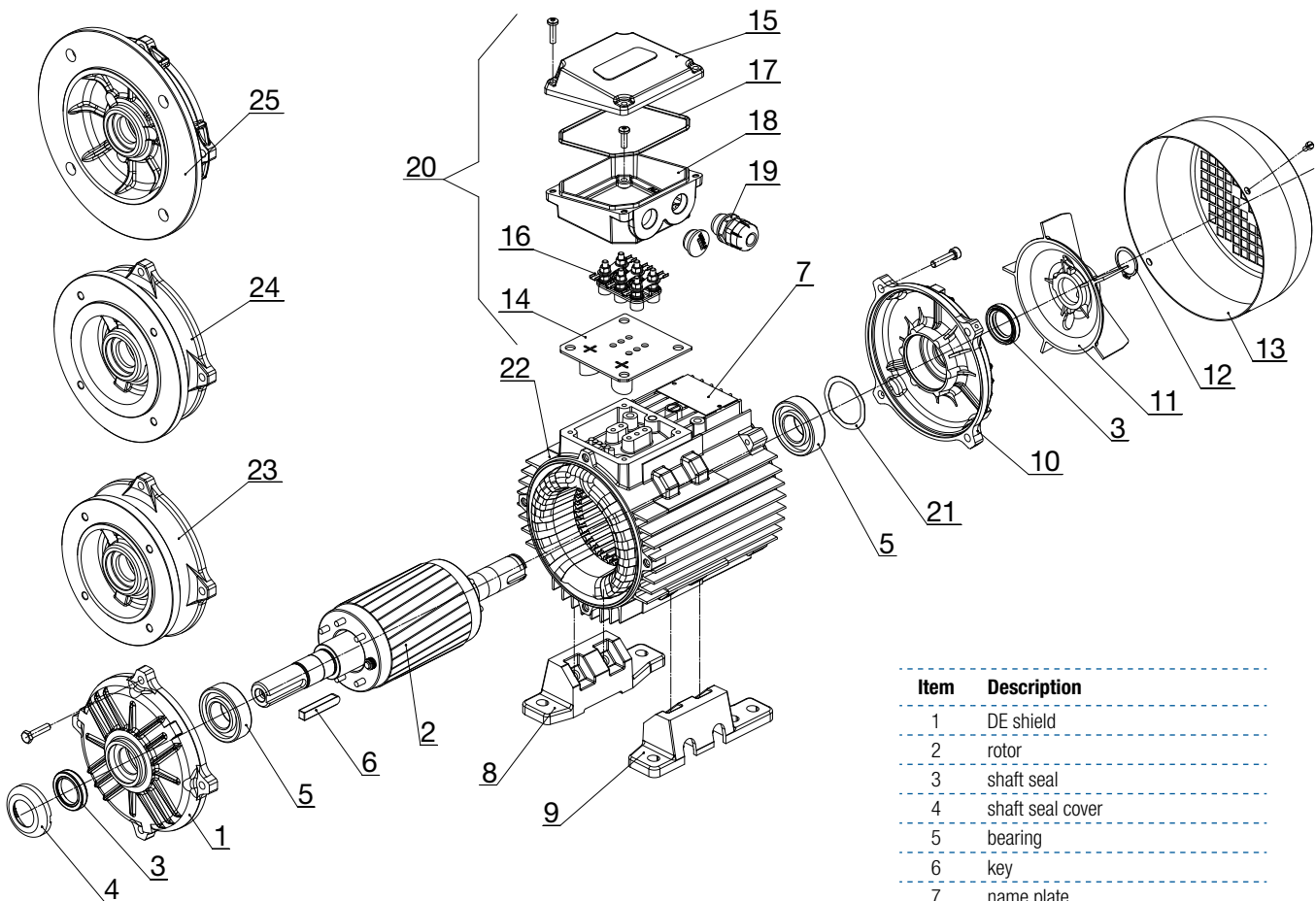
Item	Description
1	DE shield
2	rotor
3	shaft seal
4	bearing
5	key
6	housing with feet
7 ^{a,b}	internal bearing cap
8 ^{a,b}	external bearing cap
9	NDE shield
10	fan
11	seeger ring
12	fan cover
13	terminal box cover
14	terminal board
15	rubber gasket
16	terminal box housing
17	rubber gasket
18	cable glands
19	fan cover support
20	spring washer
21 ^{a,b}	seeger ring
22 ^{a,b}	grease shield
23 ^{a,b}	bearing internal ring
24 ^{a,b}	grease nipple
25	flange B5
26	rubber gasket

DE – drive end
 NDE – non drive end

List of Motor parts

Frame Size: 90÷180

Motor series Sg and Sh (2p = 10÷12)



Item	Description
1	DE shield
2	rotor
3	shaft seal
4	shaft seal cover
5	bearing
6	key
7	name plate
8 ¹	sx foot
9 ¹	dx foot
10	NDE shield
11	fan
12	seeger ring
13	fan cover
14	rubber gasket
15	terminal box cover
16	terminal board
17	rubber gasket
18	terminal box
19	glands
20	terminal box complete
21	spring washer
22	stator
23	flange B14/C2
24	flange B14/C1
25	flange B5

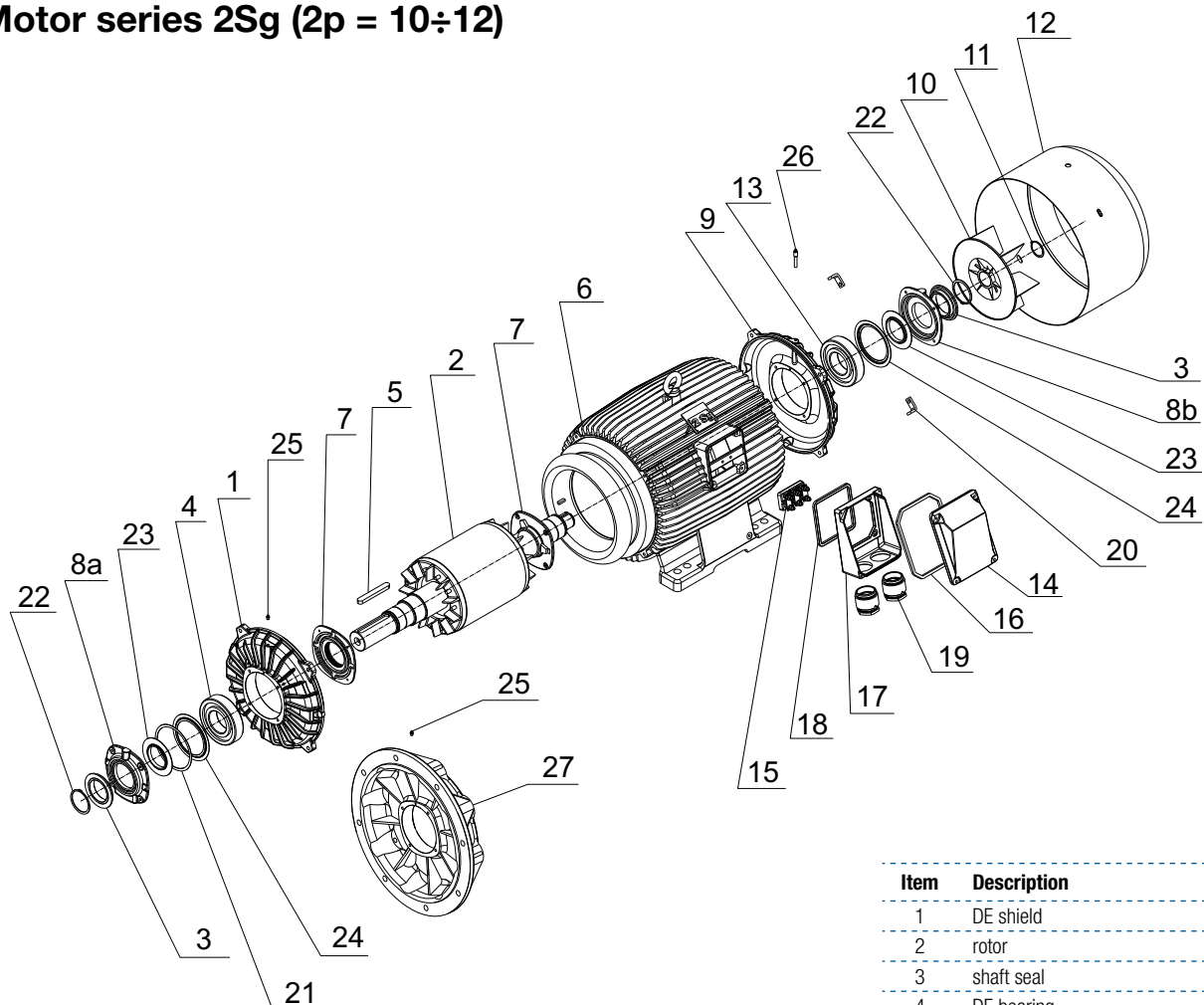
¹ – for frame size 90-112 feet screwed,
for frame size 132, 180 feet can be screwed
or integrated with motor housing,
for frame size 160 feet integrated

DE – drive end
NDE – non drive end

List of Motor parts

Frame Size: 200÷315

Motor series 2Sg (2p = 10÷12)



Item	Description
1	DE shield
2	rotor
3	shaft seal
4	DE bearing
5	key
6	housing with feet
7	internal bearing cap
8 ^{a,b}	external bearing cap
9	NDE shield
10	fan
11	seeger ring
12	fan cover
13	NDE bearing
14	terminal box cover
15	terminal cover support
16	rubber gasket
17	terminal box housing
18	rubber gasket
19	cable gland
20	fan cover support
21	spring washer
22	seeger ring
23 ¹	grease shield
24 ¹	bearing internal ring
25	DE grease nipple
26	NDE grease nipple
27	flange B5

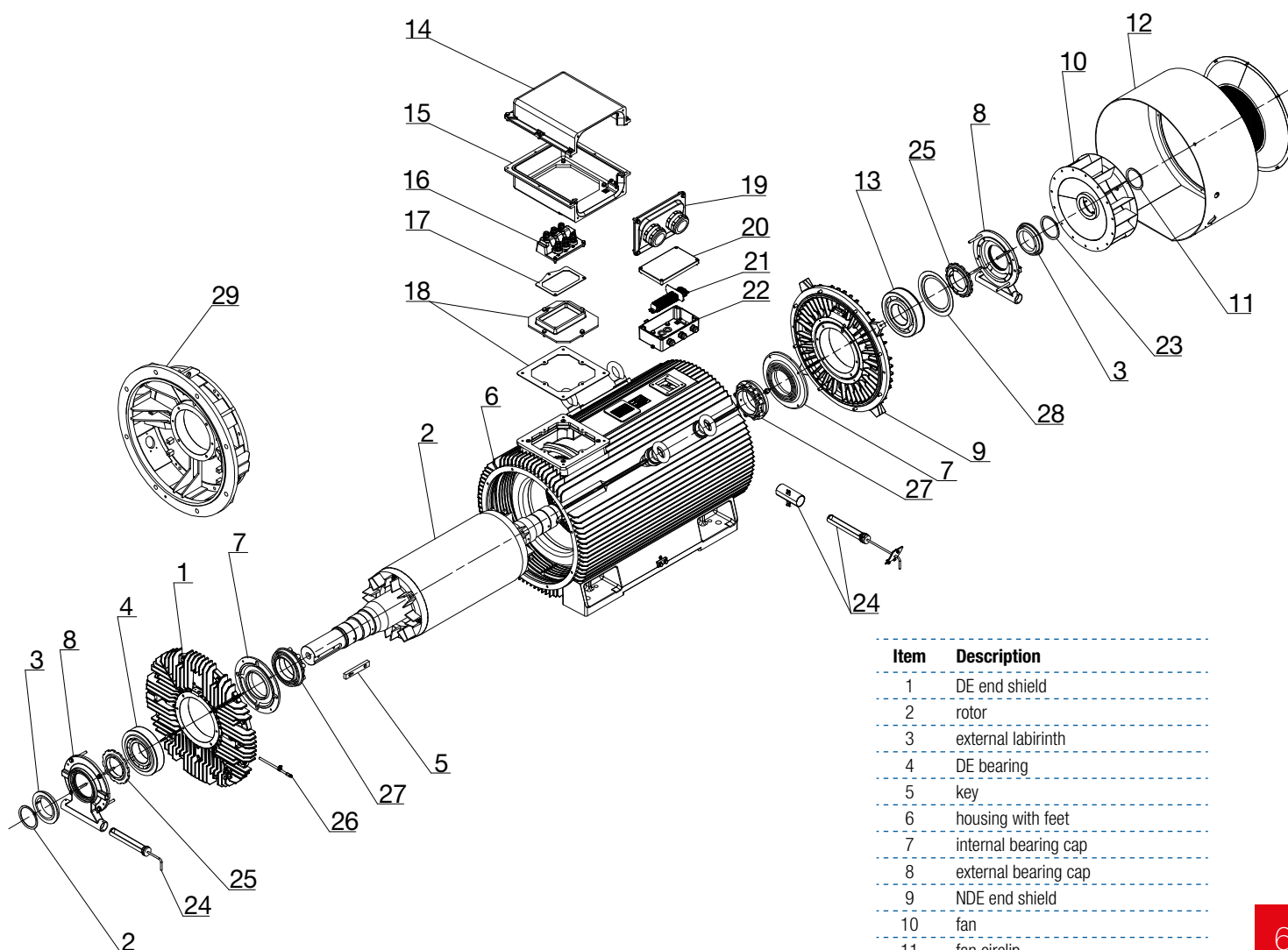
DE – drive end
NDE – non drive end

¹ – only for size 315

List of Motor parts

Frame Size: 355

Motor series Sh, 2-3SIE (2p = 2÷8)



Item	Description
1	DE end shield
2	rotor
3	external labirinth
4	DE bearing
5	key
6	housing with feet
7	internal bearing cap
8	external bearing cap
9	NDE end shield
10	fan
11	fan circlip
12	fan cover
13	NDE bearing
14	terminal box cover
15	terminal box housing
16	terminal board
17	rubber gasket
18	intermediate plate
19	cable glands plate
20	auxiliary terminal box cover
21	terminal strip
22	auxiliary terminal box housing
23	circlip of labirinth
24	container od used grease
25	grease retainer
26	DE grease conduit
27	internal labirinth
28	internal ring of NDE bearing
29	flange B35

DE – drive end

NDE – non drive end

Ordering information

In order to select the proper motor and provide you the most accurate offer as the requirements of customer's applications are various, we ask you to specify below motor details:

Orders for motors should specify

- » motor type designation,
- » rated output,
- » rated speed,
- » operating duty,
- » supply voltage and connection,
- » frequency,
- » mounting arrangements, end shield material,
- » degree of protection,
- » type of driven machine,
- » other details regarding special requests,

and information concerning additional accessories e.g.

- » thermal protection,
- » anticondensation heaters,
- » vibration sensors,
- » etc.

When ordering high-power or special purpose motors one should also indicate:

- » required direction of rotation,
- » required degree of interior protection,
- » method of start-up,
- » method of coupling with the driven unit (gears, dimensions of belt pulleys, etc.),
- » type of driven machine (type of load), including the moment of inertia J or flywheel effect GD2 calculated to motor shaft,
- » other customer's specifications.

When ordering spare parts one should specify:

- » full designation of the motor type including its serial number (provided on the nameplate) or catalogue number,
- » degree of protection,
- » mounting arrangement,
- » name of part,
- » number of pieces.

As part of our development program, we reserve the right to alter or amend any of the specifications without giving prior notice.

Order form

Company name Contact person

Country City

Address

Phone E-mail

Subject

Message

Frame size Poles kW Voltage Hz

Number of pieces

Duty Mounting IP Insulation class

Number of terminals

Efficiency RAL

PTC Yes No

PT100 Yes No

Additional information



Dear Customer,
Please complete the above Order Form and send it to motor@cantonigroup.com. In case you need assistance, do not hesitate to contact us at phone number: 0048 33 813 87 00. It will be our pleasure to help you.

Cantoni Motor Team

Download editable .pdf file from the website.

Certifications

Cantoni Group's factory, Celma Indukta was one of the first companies obtaining ISO 9001 certificate in Poland

All Cantoni Group manufacturing plants comply with the most important standards.

ISO 9001 is based on a number of quality management principles including a strong customer focus, the motivation and involvement of top management, the process approach and continuous improvement. Using ISO 9001 helps to ensure that customers get consistent, good quality products and services. Our aim is to produce high quality products certified according to the most important standards. We always focus our work to provide a product that meets the customer requirements, define the approach to continuous improvement and monitor

customer satisfaction. All employees in our Group are fully engaged and motivated to provide the top quality products. We achieve this thanks to skilled technicians, trained workers and customer oriented attitude.

As a demonstration of our aim to meet all high level international standard requirements, we are also certified ISO 14001 and OHSAS 18001 to prove our internal processes and behaviour.

ISO 14001 certification confirms that the organization manages their environmental responsibilities in an effective and internationally accepted way.

In Cantoni Group we know that taking care of the environment means taking care of our present and future.



With **OHSAS 18001** certificate, Cantoni Group confirms the necessity of controlling and improving health and safety aspects within the organization.

Employees are Cantoni Group's main asset, thus, their well-being and safety are our priority.

Our laboratory Celma Indukta is also **ISO 17025** certified by Canadian Standard Association (CSA) for two aspects: safety and energy efficiency verification requirements as independent unit.

The safety part – Supervised Manufacturers Testing Certification (SMTC) confirms that our laboratory is allowed for supervised manufactured safety certification program.

The energy efficiency part confirms that energy verification program for motors operating as SMTC can be performed according to CSA 390 standard at our facilities.

All our prototype motors are tested and approved before series production and samples of our final products are tested periodically to check compliance with all parameters defined. Our production range has also different types of products certifications based on specific technical requirements, like UL-CSA, GOST, EAC, ATEX, IEC Ex, CCC, Bureau Veritas, DNV-GL, etc.

Our technicians are constantly updated, informed and trained about every new regulation in order to provide all possible solutions to meet final customer requirements and also study and engineer ad-hoc products with customers developers.



Top quality electric motors

Cantoni Group's electric motors are manufactured in such a way as to provide a durable product that our customers can rely on:

- motors manufactured using high quality raw materials and components
- long-life bearings
- robust and tough construction
- raw materials only from European qualified suppliers
- production process from the beginning to the end at our facilities
- proven electrical performance

Our motors for many applications

Our motors are produced with the aim to be flexible and adaptable to many different applications. The long tradition and experience of our technical departments, supported by a flexible and strong organization, can assure an engineering of the motor series that meet the most common requirements and the more and more specific requests from the manufacturers of cutting-edge machines.

Our long collaboration with some of the most important players in the global industrial market has built a strong and stable organization that is able to support the customer in the development of the best solutions for its applications.

Cantoni Group continuous investments

The strategy of Cantoni Group is to realize a strong and continuous plan of investments with the aim to constantly increase the range of products, quality level and high productivity. Cantoni Group international market leadership has been created thanks to such open and future oriented attitude. Investments into the new professional machinery, equipment and infrastructure increase the quality control, capacity and save the environment.

The use of world class CNC, automatic and semi-automatic machinery guarantees precision, repeatability and accuracy. Such considerable development plan of Cantoni Group enhances the already wide range of production, maximizes the quality of offered products and has led to a growing number of innovations (new series for specific applications, new design and solutions) and international approvals.



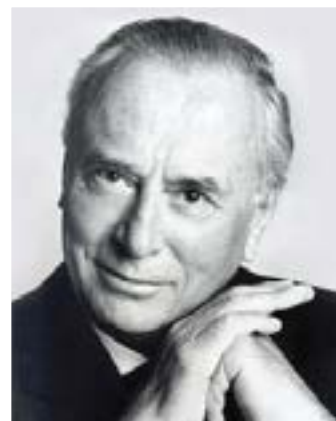
Cantoni Group



Giampiero Cantoni, Founder of Cantoni Group

Since almost a century, the Cantoni Group has been known worldwide as a leader in manufacturing and supplying electric motors, components and tools.

Thanks to the entrepreneurial commitment and great talent, the founder of the Group, **Prof. Giampiero Cantoni**, created diversified Group Enterprise that has gained outstanding success on the Domestic and International markets, placing us among the most important European manufacturers.



Cantoni Motor



Cantoni Motor, the International Sales Office and Headquarters, coordinates the sales and purchasing for the whole Cantoni Group.

The history of Cantoni Motor goes back to 1945 when Elektrim Export Office in Poland was created. Through the next years, many internal changes had occurred, the Office changed its name to Elektrim Motor, to become finally in the year 2000 – Cantoni Motor S.A. – a company with Italian ownership.

Cantoni Motor provides complete customer service, from offer submission until shipment, after-sales and full technical support. Thanks to the flexible organization, our technical and sales team

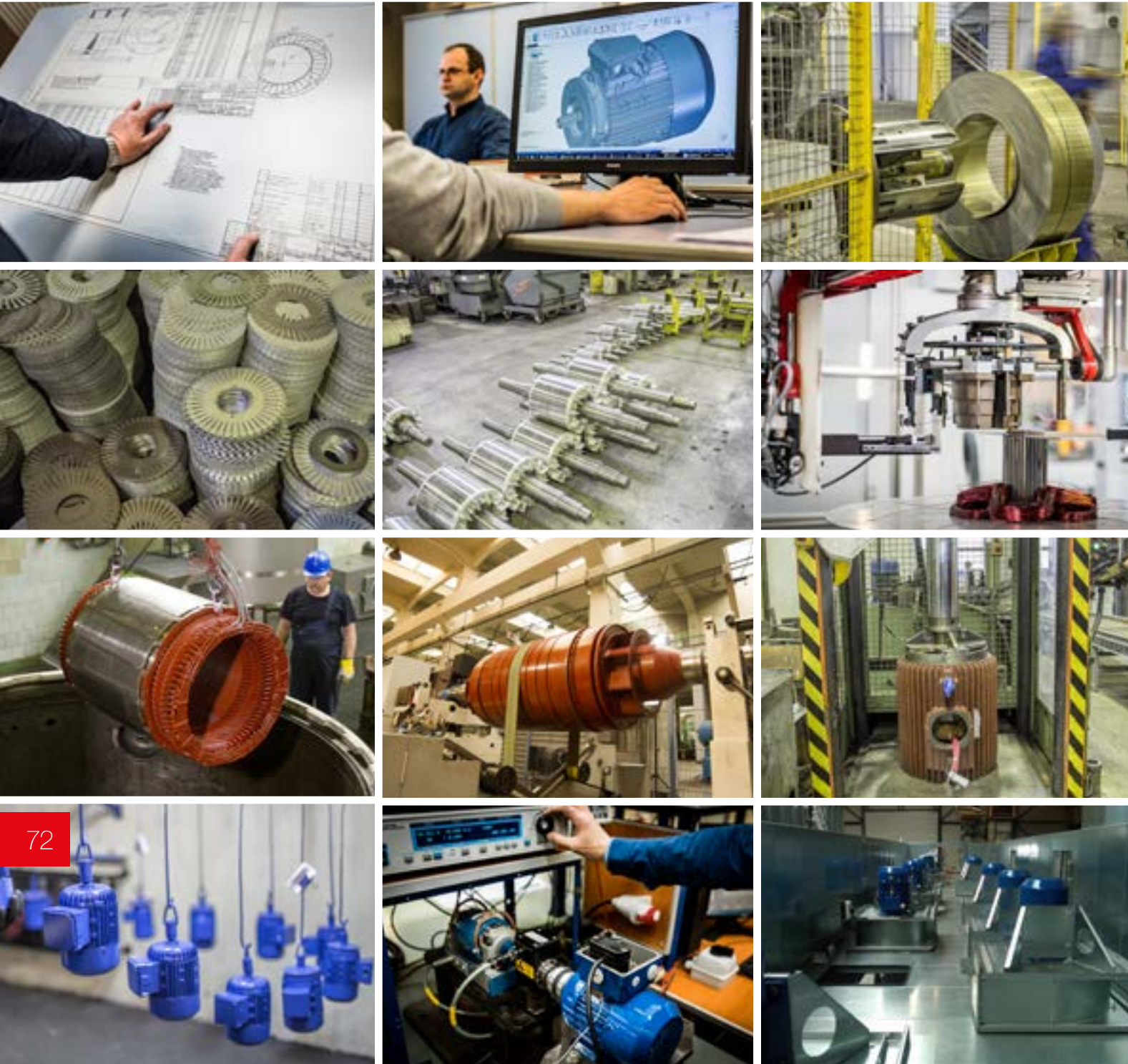
is able to face all requirements of modern market and realize the most challenging projects.

As the Headquarters, the company not only coordinates the sales and purchasing of key materials for the production of electric motors in the Group, but also is responsible for marketing and promotion actions as well as for certification processes, trademarks and patents.

Cantoni Group produces and exports high quality industrial electric motors – from 0,04 kW up to 6000 kW, in standard and special executions. Our motors are tough and reliable and operate in almost all industrial segments from pumps, fans, compressors, conveyors, mining, processing to power plants, etc.



From the project to the application



72

Driving Your Business



CANTONI [®]
MOTOR



CANTONI MOTOR S.A.
3 MAJA 28
43-400 CIESZYN, POLAND
tel. +48 33 813 87 00
fax +48 33 813 87 01
motor@cantonigroup.com
www.cantonigroup.com

